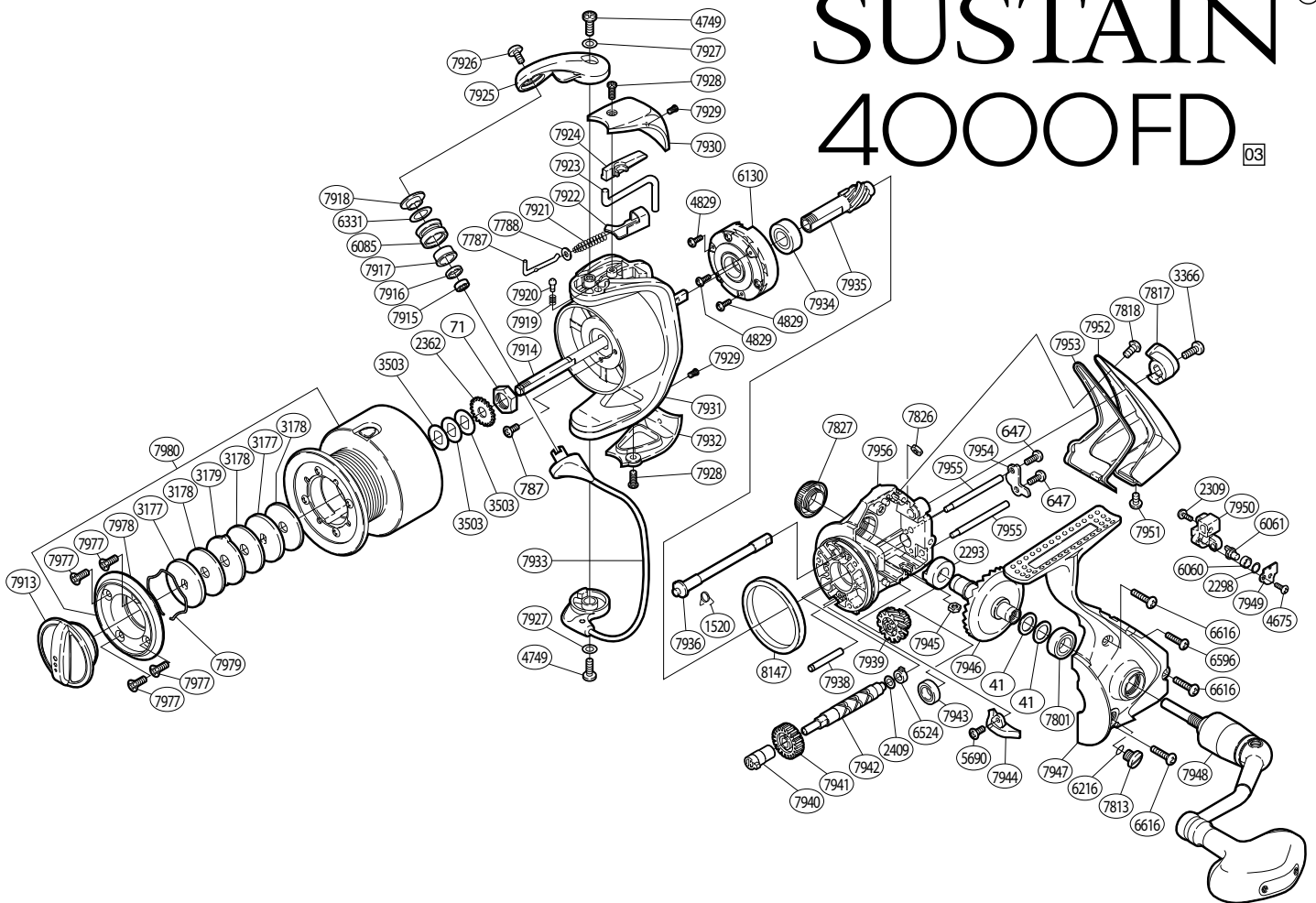


SUSTAIN® 4000FD 03



Part No.	Description
RD 0041	Drive Gear Washer
RD 0071	Rotor Nut
RD 0647	Worm Shaft Retainer Screw
RD 0787	Nut Lock Screw
RD 1520	Anti-Reverse Cam Spring
RD 2293	Drive Gear Bushing
RD 2298	Spacer
RD 2309	Slider Retainer Screw
RD 2362	Spool Support
RD 2409	Worm Shaft Spacer
RD 3177	Key Washer
RD 3178	Drag Washer
RD 3179	Eared Washer
RD 3366	Anti-Reverse Lever Screw
RD 3503	Spool Washer
RD 4675	Oscillating Pawl Cover Screw
RD 4749	Multi-Purpose Screw
RD 4829	Roller Clutch Screw
RD 5690	Bail Trip Strike Screw
RD 6060	Oscillating Slider Bushing
RD 6061	Oscillating Pawl
RD 6085	Line Roller
RD 6130	Roller Clutch Assembly
RD 6216	"O" Ring
RD 6331	Line Roller Spacer
RD 6524	Worm Bushing (rear)
RD 6596	Side Cover Screw (small)
RD 6616	Side Cover Screw (large)

Part No.	Description
RD 7787	Bail Spring Guide (A)
RD 7788	Spring Guide (A) Support
RD 7801	Ball Bearing
RD 7813	Oil Cap
RD 7817	Anti-Reverse Lever
RD 7818	Rear Protector Screw (D)
RD 7826	Rear Protector Nut (B)
RD 7827	Handle Screw Cap
RD 7913	Drag Knob
RD 7914	Main Shaft
RD 7915	Ball Bearing
RD 7916	Bearing Spacer
RD 7917	Line Roller Bushing
RD 7918	Line Roller Washer
RD 7919	Click Spring
RD 7920	Click Pin
RD 7921	Bail Spring
RD 7922	Bail Spring Seat
RD 7923	Bail Trip Lever
RD 7924	Bail Trip Cover
RD 7925	Bail Arm
RD 7926	Line Roller Screw
RD 7927	Adjusting Washer
RD 7928	Protector Screw (A)
RD 7929	Protector Screw (B)
RD 7930	Bail Spring Cover
RD 7931	Rotor
RD 7932	Bail Hold Support Guard

Part No.	Description
RD 7933	Bail Assembly
RD 7934	Ball Bearing
RD 7935	Pinion Gear
RD 7936	Anti-Reverse Cam
RD 7938	Idle Gear (B) Shaft
RD 7939	Idle Gear (B)
RD 7940	Worm Bushing (front)
RD 7941	Idle Gear
RD 7942	Worm Shaft
RD 7943	Ball Bearing
RD 7944	Bail Trip Strike
RD 7945	Rear Protector Nut (A)
RD 7946	Drive Gear
RD 7947	Side Cover
RD 7948	Handle Assembly
RD 7949	Oscillating Pawl Cover
RD 7950	Oscillating Slider
RD 7951	Rear Protector Screw (C)
RD 7952	Rear Protector
RD 7953	Rear Shield
RD 7954	Worm Shaft Retainer
RD 7955	Oscillating Guide
RD 7956	Body
RD 7977	Spool Ring Collar Screw
RD 7978	Spool Ring Collar
RD 7979	Drag Washers Retainer
RD 7980	Spool Assembly
RD 8147	Friction Ring