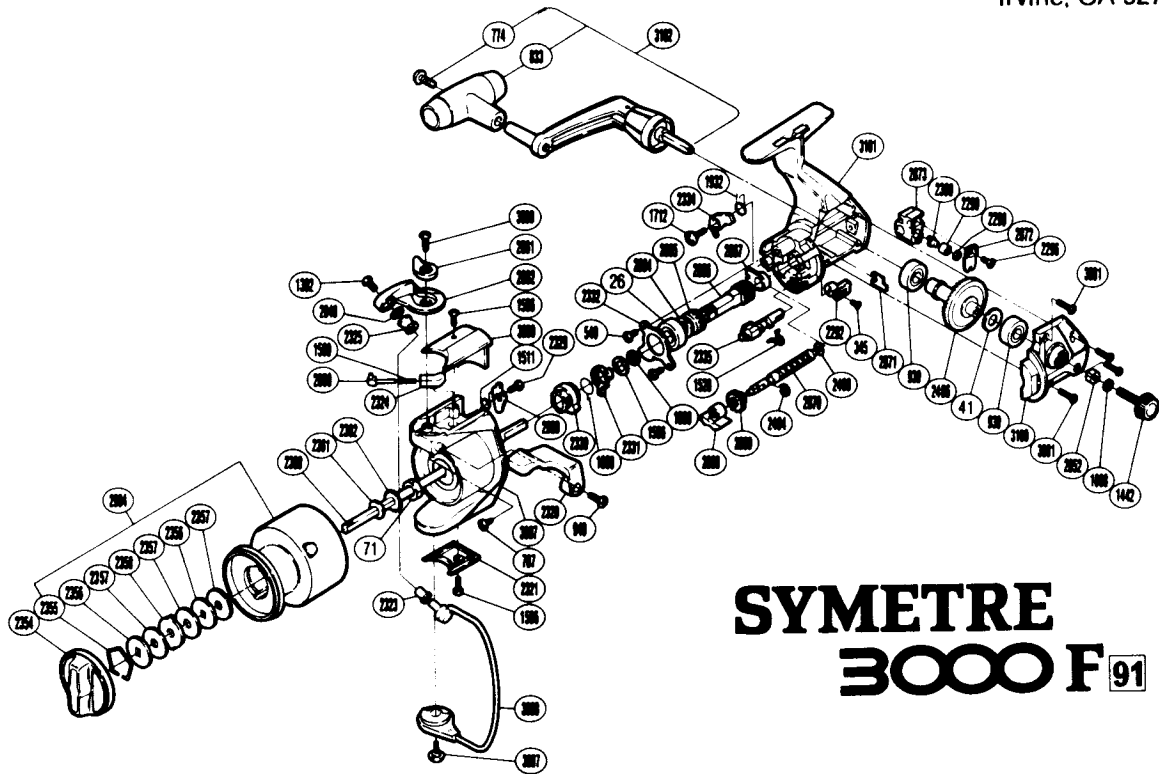


Shimano American Corporation, One Shimano Dr.
Irvine, CA 92718TO ORDER: USE RD PREFIX
WITH PART NUMBER**PARTS LIST**

RD #	DESCRIPTION	RD #	DESCRIPTION	RD #	DESCRIPTION
0026	Ball Bearing	2298	Spacer	2852	Handle Screw Lock
0041	Drive Gear Washer	2299	Oscillating Slider Bushing	2860	Bail Spring Guide (A)
0071	Rotor Nut	2300	Oscillating Pawl	2861	Trigger Cam
0345	Anti-Reverse Lever Screw	2320	Quick-Fire II Trigger	2862	Bail Arm
0540	Bearing Retainer Screw	2321	Rotor Side Cover	2864	Pinion Idle Gear Washer
0774	Handle Knob Screw	2323	Line Roller Bushing	2865	Pinion Idle Gear
0787	Nut Lock Screw	2324	Bail Spring Guide (B)	2866	Pinion Gear
0833	Handle Knob	2325	SiC Ceramic Roller	2867	Bushing
0930	Ball Bearing	2329	Bail Trip Lever Screw	2868	Worm Bearing
0949	Trigger Screw	2330	Anti-Reverse Ratchet	2869	Idle Gear
1008	Handle Screw Cap	2331	Anti-Reverse Lock Out	2870	Worm Shaft
1302	Line Roller Screw	2332	Bearing Retainer	2871	Worm Shaft Retainer
1442	Handle Screw Cap	2334	Anti-Reverse Pawl	2872	Oscillating Pawl Cover
1506	Bail Spring Cover Screw	2335	Anti-Reverse Cam	2873	Oscillating Slider
1509	Bail Spring	2354	Drag Knob	2904	Spool Assembly
1511	Lever Spring	2355	Drag Washers Retainer	2969	Bail Trip Lever
1520	Anti-Reverse Cam Spring	2356	Key Washer	3081	Side Cover Screw
1596	Bushing Washer	2357	Drag Washer	3087	Bail Trip Cam Screw
1712	Anti-Reverse Pawl Screw	2358	Eared Washer	3088	Bail Arm Screw
1888	Anti-Reverse Lock Out Spring	2360	Main Shaft	3097	Rotor
1890	Bushing Washer	2361	Spool Washer	3098	Bail Assembly
1932	Anti-Reverse Pawl Spring	2362	Spool Support	3099	Bail Spring Cover
2048	Line Roller Washer	2404	Idle Gear Retainer	3100	Side Cover
2292	Anti-Reverse Lever	2406	Drive Gear	3101	Body
2296	Slider Retainer Screw	2409	Worm Shaft Spacer	3102	Handle Assembly