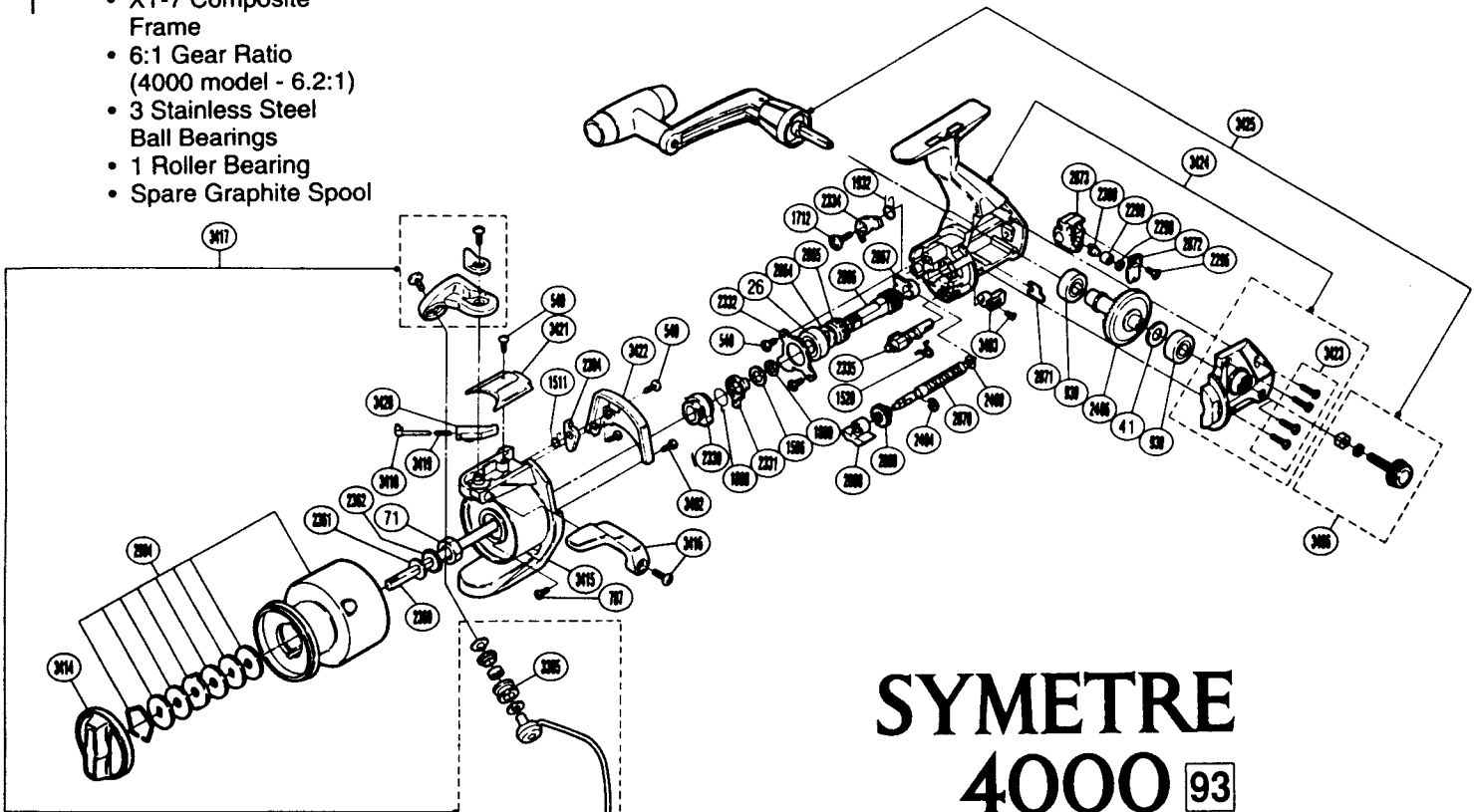


AERO® SYMETRE™
Spinning Reels

Complete

- **Dyna-Balance**
- Aluminum Aero® Long Spool Design
- AeroWrap™ System
- Front Drag or Rear Drag
- XT-7 Composite Frame
- 6:1 Gear Ratio (4000 model - 6.2:1)
- 3 Stainless Steel Ball Bearings
- 1 Roller Bearing
- Spare Graphite Spool



SYMETRE
4000 93

FA

EXPLODED PARTS VIEW

MODEL NO.	LINE / CAPACITY	GEAR RATIO	WT. (OZ.)	BEARINGS
SY-4000FA	8/240, 10/200, 12/160	6.2:1	12.2	4

Symetre™ has everything the very serious angler needs. This year Symetre™ has been heavily upgraded with DynaBalance™, an oversized line roller, the addition of a fourth stainless steel ball bearing, the inclusion of a spare graphite spool, and improved cosmetics! Great features such as high speed gear ratios and AeroWrap™ for improved casting performance remain from last year to satisfy this demanding consumer.

Additionally, Symetre™ offers a choice of both front and rear drag models in all 3 sizes. Rear drag models feature Fightin' Drag II®, the most user-friendly system available as far as adjustments are concerned. QuickFire II® is also found on all models of Symetre™, enabling quick, one-handed casting.

