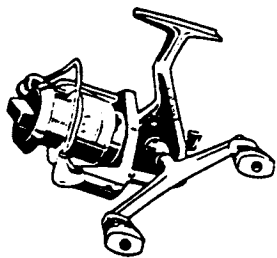
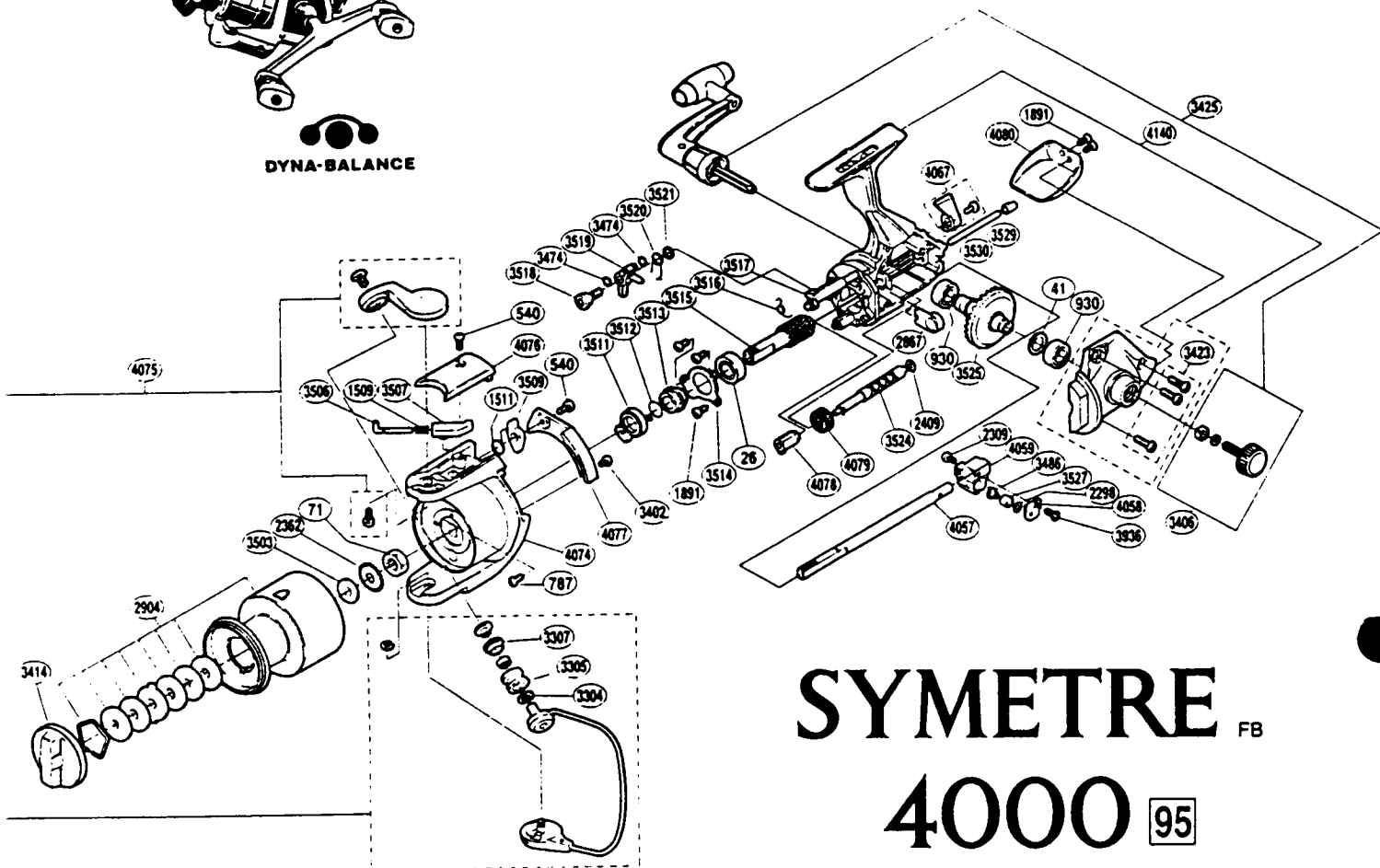


# Exploded View

# SHIMANO



**DYNA-BALANCE**



# SYMETRE <sup>FB</sup> 4000 95

**SY4000FB**

Part #	Description	Part #	Description	Part #	Description
RD 0026	Ball Bearing	RD 3414	Drag Knob	RD 3524	Worm Shaft
RD 0041	Drive Gear Washer	RD 3423	Side Cover Screws	RD 3525	Drive Gear
RD 0071	Rotor Nut	RD 3425	Handle Assembly	RD 3527	Oscillating Slider Bushing
RD 0540	Multi Purpose Screw	RD 3474	"O" Ring	RD 3529	Oscillating Guide Holder
RD 0787	Nut Lock Screw	RD 3486	Oscillating Pawl	RD 3530	Oscillating Guide
RD 0930	Ball Bearing	RD 3503	Spool Washer	RD 3936	Oscillating Pawl Cover Screw
RD 1509	Bail Spring	RD 3506	Bail Spring Guide (A)	RD 4057	Main Shaft
RD 1511	Lever Spring	RD 3507	Bail Spring Guide (B)	RD 4058	Oscillating Pawl Cover
RD 1891	Multi Purpose Screw	RD 3509	Bail Trip Lever	RD 4059	Oscillating Slider
RD 2298	Spacer	RD 3511	Anti-Reverse Lock Out	RD 4067	Anti-Reverse Lever Assembly
RD 2309	Slider Retainer Screw	RD 3512	Anti-Reverse Lock Out Spring	RD 4074	Rotor
RD 2362	Spool Support	RD 3513	Lock Out Spring Holder	RD 4075	Bail Assembly
RD 2409	Worm Shaft Spacer	RD 3514	Bearing Retainer	RD 4076	Bail Spring Cover
RD 2867	Bushing	RD 3515	Pinion Gear	RD 4077	Counterbalance Cover
RD 2904	Spool Assembly	RD 3516	Anti-Reverse Cam Spring	RD 4078	Worm Bearing
RD 3304	Bearing Spacer	RD 3517	Anti-Reverse Cam	RD 4079	Idle Gear
RD 3305	SIC Ceramic Roller	RD 3518	Anti-Reverse Pawl Screw	RD 4080	Rear Protector
RD 3307	Line Roller Bushing	RD 3519	Anti-Reverse Pawl	RD 4140	Body Assembly
RD 3402	Cover Screw	RD 3520	Anti-Reverse Pawl Spring		
RD 3406	Handle Screw Cap Assembly	RD 3521	Anti-Reverse Pawl Spacer		