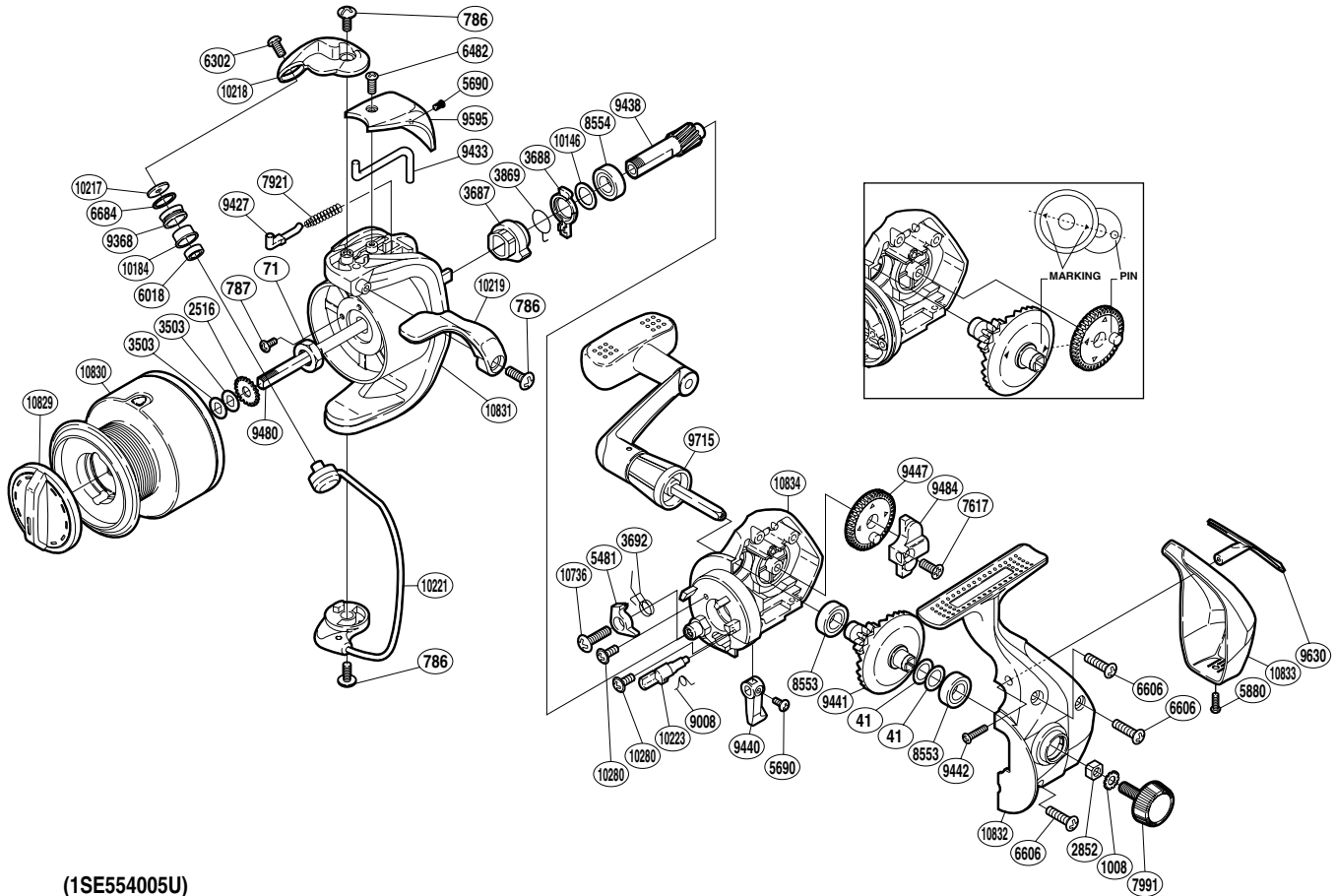


SHIMANO®

SYNCOPATE

SC-4000FE



(1SE554005U)

| Part No. | Description | Part No. | Description | Part No. | Description |
|----------|------------------------------|----------|-------------------------|----------|-----------------------|
| RD 0041 | Washer | RD 6606 | Screw | RD 9595 | Bail Spring Cover |
| RD 0071 | Rotor Nut | RD 6684 | Line Roller Spacer | RD 9630 | Rear Protector A |
| RD 0786 | Screw | RD 7617 | Screw | RD 9715 | Handle Assembly |
| RD 0787 | Screw | RD 7921 | Bail Spring | RD10146 | Washer |
| RD 1008 | Handle Lock Washer | RD 7991 | Handle Screw Cap | RD10184 | Line Roller Bushing |
| RD 2516 | Spool Support | RD 8553 | Ball Bearing | RD10217 | Line Roller Washer |
| RD 2852 | Handle Screw Lock | RD 8554 | Ball Bearing | RD10218 | Bail Arm |
| RD 3503 | Spool Washer | RD 9008 | Anti-Reverse Cam Spring | RD10219 | Quick-Fire II Trigger |
| RD 3687 | Anti-Reverse Ratchet | RD 9368 | Line Roller | RD10221 | Bail Assembly |
| RD 3688 | Anti-Reverse Lock Out | RD 9427 | Bail Spring Guide | RD10223 | Anti-Reverse Cam |
| RD 3692 | Anti-Reverse Pawl Spring | RD 9433 | Bail Trip Lever | RD10280 | Screw |
| RD 3869 | Anti-Reverse Lock Out Spring | RD 9438 | Pinion Gear | RD10736 | Screw |
| RD 5481 | Anti-Reverse Pawl | RD 9440 | Anti-Reverse Lever | RD10829 | Drag Knob |
| RD 5690 | Screw | RD 9441 | Drive Gear | RD10830 | Spool Assembly |
| RD 5880 | Screw | RD 9442 | Screw | RD10831 | Rotor |
| RD 6018 | Ball Bearing | RD 9447 | Oscillating Gear | RD10832 | Side Cover |
| RD 6302 | Screw | RD 9480 | Main Shaft | RD10833 | Rear Protector B |
| RD 6482 | Screw | RD 9484 | Oscillating Slider | RD10834 | Body |

(180317)