

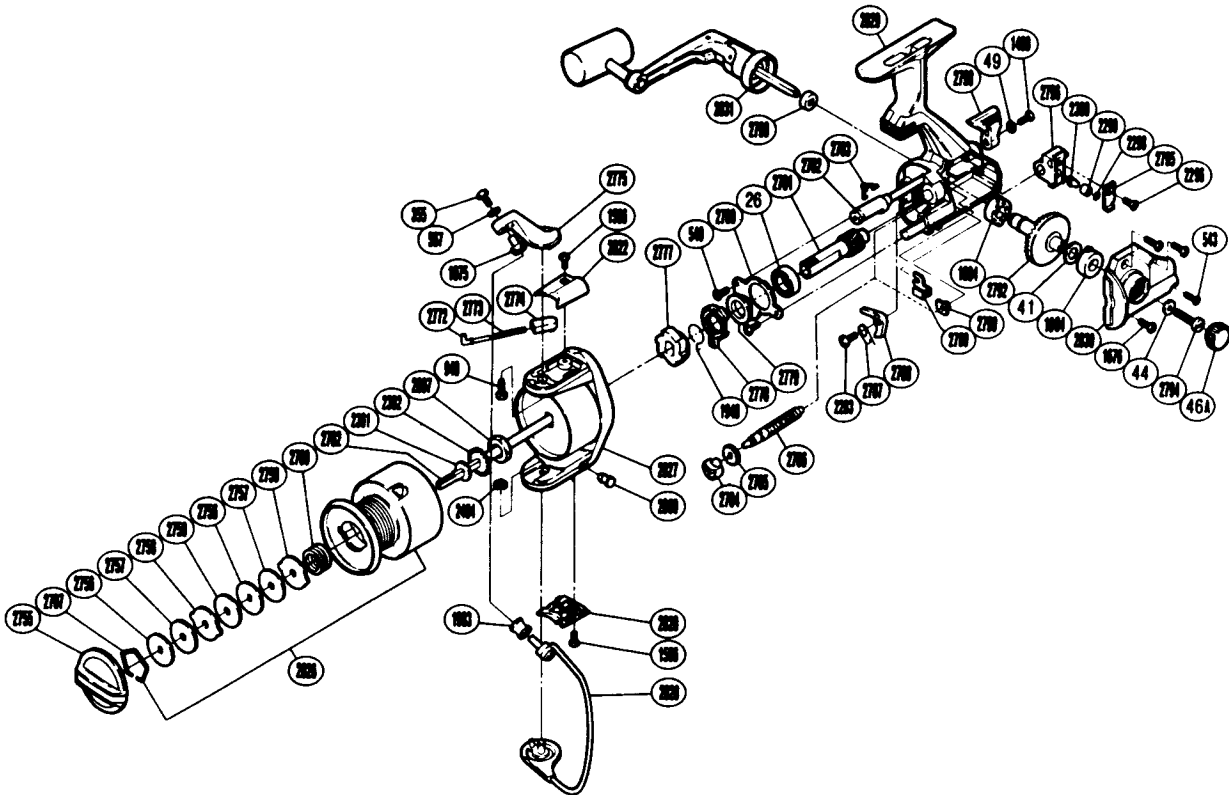
**EXPLODED PARTS VIEW**

**TITANOS  
AERLEX  
GT3000**

**SHIMANO®**

**1990 REPAIR MANUAL**

Shimano American Corporation, One Shimano Dr.  
Irvine, CA 92718



**TO ORDER: USE RD PREFIX  
WITH PART NUMBER**

**PARTS LIST**

RD #	DESCRIPTION	RD #	DESCRIPTION	RD #	DESCRIPTION
0026	Ball Bearing	2362	Spool Support	2785	Idle Gear
0041	Drive Gear Washer	2404	Idle Gear Retainer	2786	Worm Shaft
0044	Handle (Screw) Lock Washer	2707	Drag Washers Retainer	2787	Anti-Reverse Pawl Spring
0046A	Handle Screw Cap	2755	Drag Knob	2788	Anti-Reverse Pawl
0049	Lock Washer	2756	Key Washer	2789	Worm Shaft Retainer
0355	Line Roller Screw (Nylock)	2757	Drag Washer 1	2790	Worm Bearing (Rear)
0540	Anti-Reverse Pawl Screw	2758	Eared Washer	2792	Drive Gear
0543	Side Cover Screw (B)	2759	Drag Washer 2	2794	Handle Lock Screw
0567	Lock Washer	2760	Drag Coil Spring	2795	Oscillating Pawl Cover
0940	Bail Trip Cam Screw	2762	Main Shaft	2796	Oscillating Slider
1004	Bushing A	2772	Bail Spring Guide (A)	2797	Anti-Reverse Lever
1075	Line Roller Washer	2773	Bail Spring	2799	Handle Lock Spacer
1490	Anti-Reverse Lever Screw	2774	Bail Spring Guide (B)	2807	Rotor Nut
1506	Bail Spring Cover Screw	2775	Bail Arm	2809	Rotor Plug
1676	Side Cover Screw	2777	Anti-Reverse Ratchet	2820	Rotor Cover
1948	Anti-Reverse Lock Out Spring	2778	Anti-Reverse Lock Out	2822	Bail Spring Cover
1983	Sic Ceramic Roller	2779	Pinion Spacer	2826	Spool Assembly
2283	Anti-Reverse Pawl Screw	2780	Bearing Retainer	2827	Rotor
2296	Slider Retainer Screw	2781	Pinion Gear	2828	Bail Assembly
2298	Spacer	2782	Anti-Reverse Cam	2829	Body
2299	Oscillating Slider Bushing	2783	Anti-Reverse Cam Spring	2830	Side Cover
2300	Oscillating Pawl	2784	Worm Bearing (Front)	2831	Handle Assembly
2361	Spool Washer				

Prices and specifications subject to change without notice.