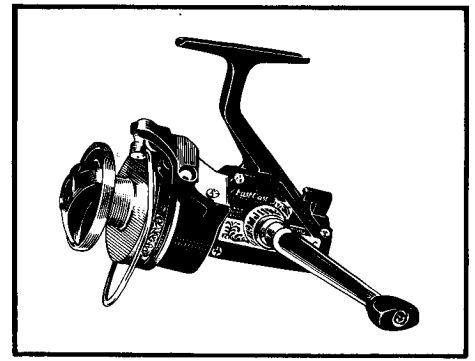


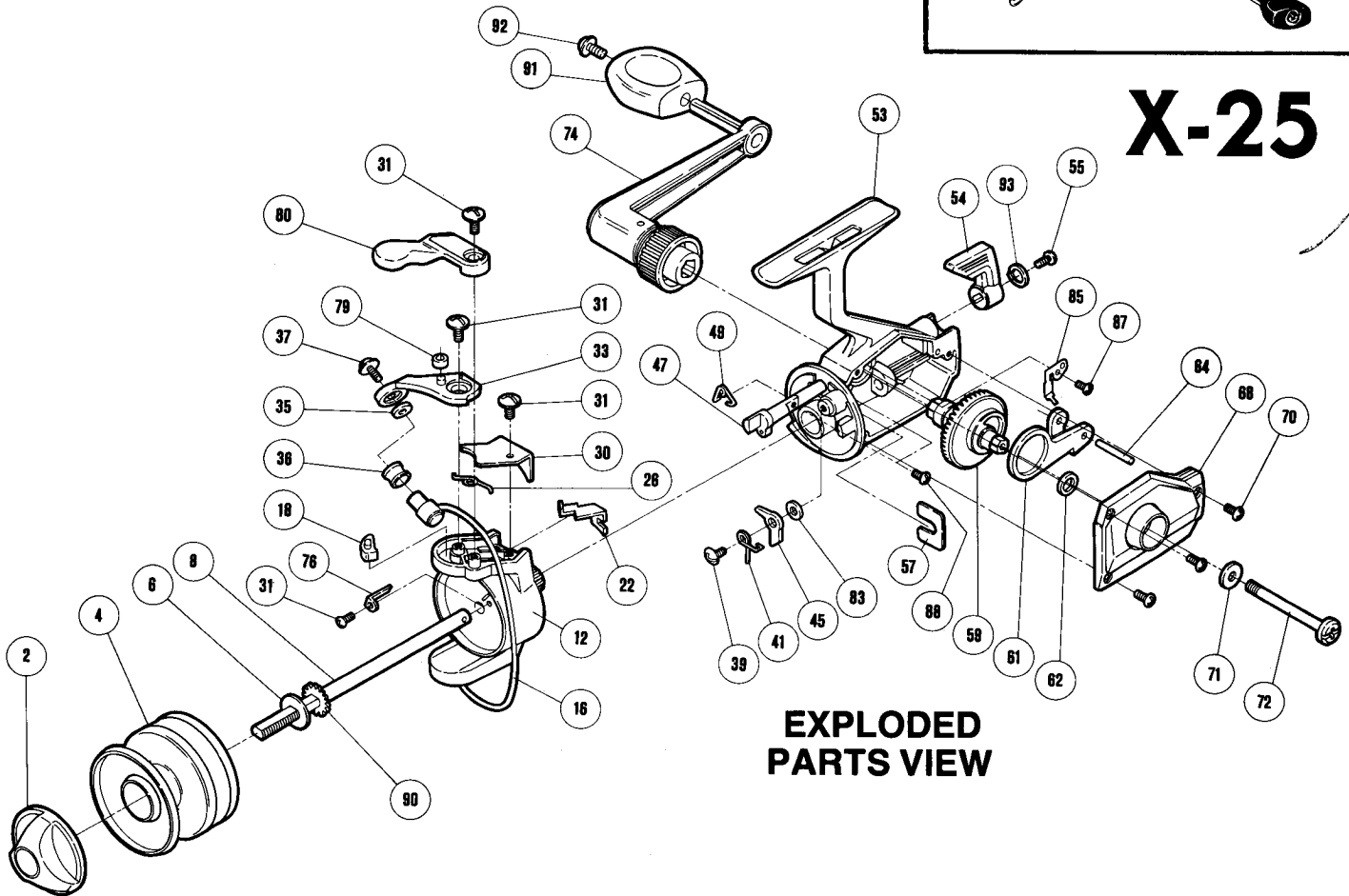
SHIMANO

REPAIR MANUAL

Shimano American Corporation, 205 Jefferson Rd.,
Parsippany, N.J. 07054



X-25



**EXPLODED
PARTS VIEW**

PARTS LIST

PART #	DESCRIPTION	PRICE	PART #	DESCRIPTION	PRICE	PART #	DESCRIPTION	PRICE
2.	Drag Adjusting Knob	.55	41.	Anti-Reverse Dog Spring	.25	71.	Handle Screw Washer	.15
4.	Spool	5.50	45.	Anti-Reverse Dog	.50	72.	Handle Screw	.75
6.	Spool Washer	.15	47.	Anti-Reverse Shaft	.90	74.	Handle Shank	3.00
8.	Spindle	1.00	49.	Anti-Reverse Shaft Spring	.20	76.	Self-Center Stop	.20
12.	Rotor	4.50	53.	Housing	5.25	79.	Trigger Pin Roller	.20
16.	Bail Wire	1.60	54.	Anti-Reverse Lever	.25	80.	Fast Cast System Trigger	.75
18.	Bail Trip Cam	.30	55.	Anti-Reverse Lever Screw	.15	83.	Anti-Reverse Dog Spacer	.15
22.	Trip Plate	.40	57.	Rotor Lock	.15	85.	Click Spring	.40
26.	Bail Spring	.25	59.	Drive Gear	1.00	87.	Click Spring Screw	.15
30.	Bail Spring Cover	.25	61.	Oscillation Guide	.35	88.	Click Silencer Screw	.15
31.	Multi-Purpose Screw	.15	62.	Drive Gear Spacer	.15	90.	Spool Ratchet	.15
33.	Bail Mount	.40	64.	Oscillation Guide Pin	.15	91.	Handle Knob	.25
35.	Line Guide Cover	.15	68.	Side Plate	2.25	92.	Handle Knob Screw	.15
36.	Roller Line Guide	.45	70.	Side Plate Screw	.15	93.	Anti-Reverse Screw Lock Washer	.15
37.	Line Guide Screw	.25						
39.	Anti-Reverse Dog Screw	.15						

Prices and specifications subject to change without notice.