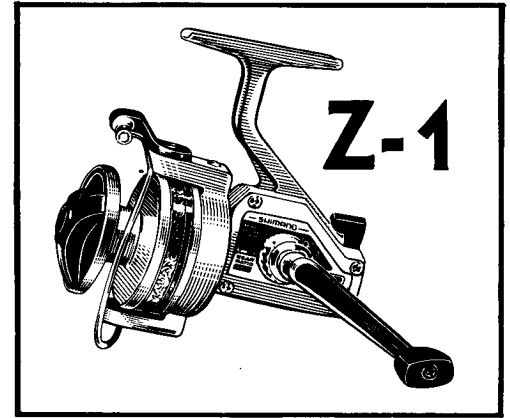


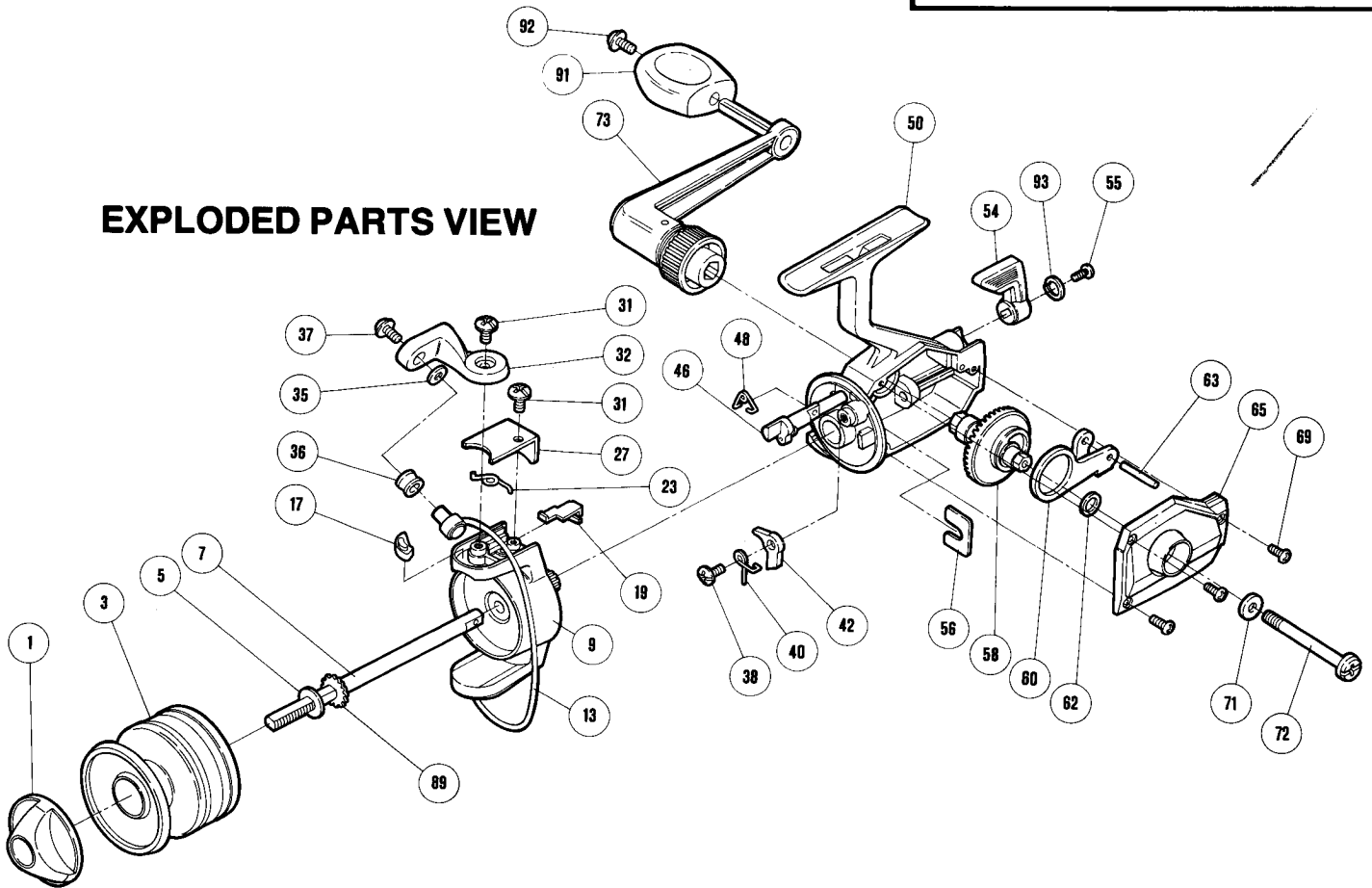
SHIMANO

REPAIR MANUAL

Shimano American Corporation, 205 Jefferson Rd.,
Parsippany, N.J. 07054



EXPLODED PARTS VIEW



PARTS VIEW

PART #	DESCRIPTION	PRICE	PART #	DESCRIPTION	PRICE	PART #	DESCRIPTION	PRICE
1.	Drag Adjusting Knob	.55	37.	Line Guide Screw	.25	58.	Drive Gear	1.00
3.	Spool	5.00	38.	Anti-Reverse Dog Screw	.15	60.	Oscillation Guide	.35
5.	Spool Washer	.15	40.	Anti-Reverse Dog Spring	.25	62.	Drive Gear Spacer	.15
7.	Spindle	1.00	42.	Anti-Reverse Dog	.50	63.	Oscillation Guide Pin	.15
9.	Rotor	4.50	46.	Anti-Reverse Shaft	.90	65.	Side Plate	2.00
13.	Bail Wire	1.25	48.	Anti-Reverse Shaft Spring	.20	69.	Side Plate Screw	.15
17.	Bail Trip Cam	.30	50.	Housing	5.00	71.	Handle Screw Washer	.15
19.	Trip Plate	.30	54.	Anti-Reverse Lever	.25	72.	Handle Screw	.75
23.	Bail Spring	.25	55.	Anti-Reverse Lever Screw	.15	73.	Handle Shank	3.00
27.	Bail Spring Cover	.25	56.	Rotor Lock	.15	89.	Spool Ratchet	.15
31.	Multi-Purpose Screw	.15				91.	Handle Knob	.25
32.	Bail Mount	.40				92.	Handle Knob Screw	.15
35.	Line Guide Cover	.15				93.	Anti-Reverse Screw Lock Washer	.15
36.	Roller Line Guide	.45						

Prices and specifications subject to change without notice.