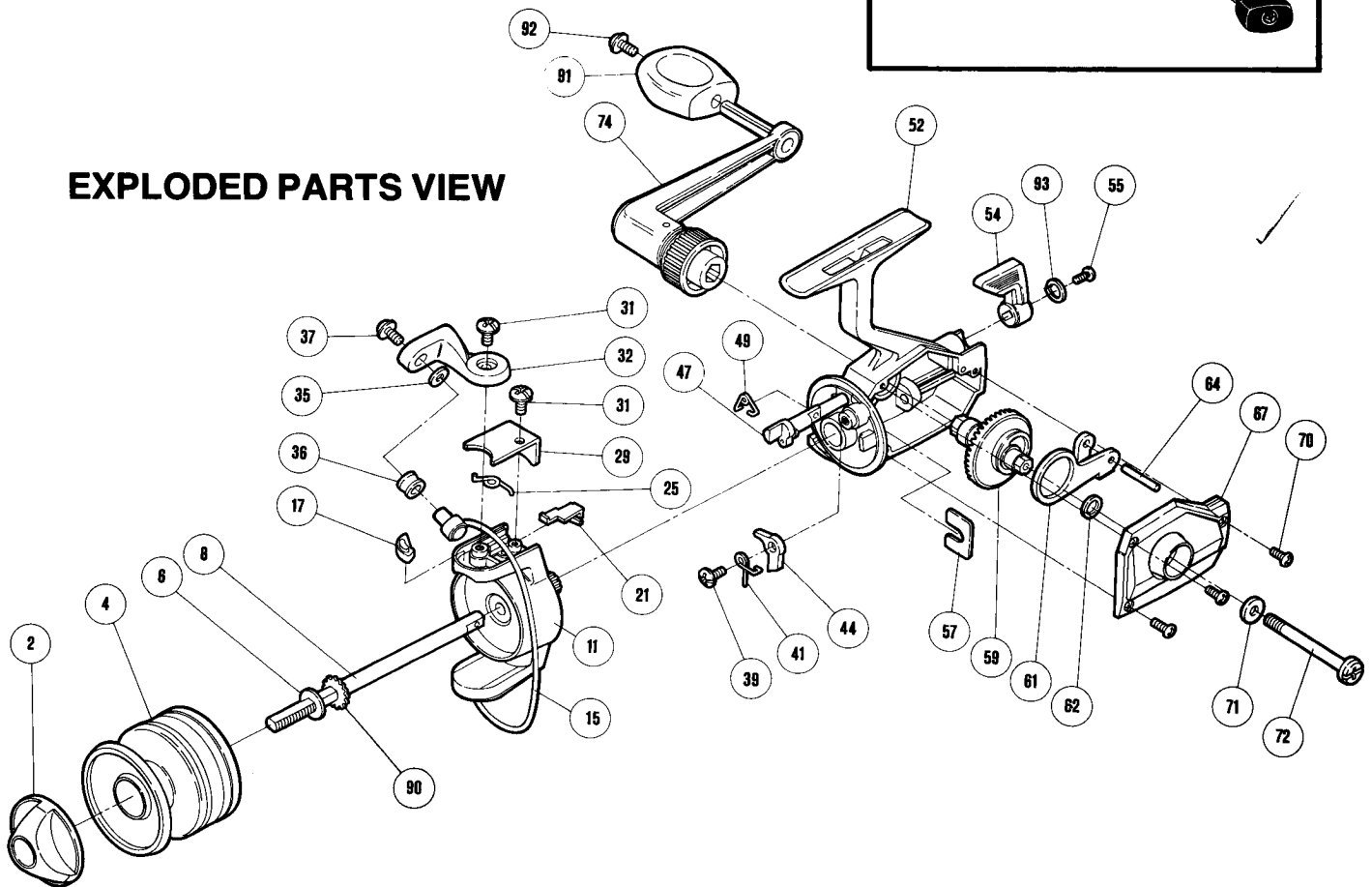


### EXPLODED PARTS VIEW



### PARTS LIST

PART #	DESCRIPTION	PRICE	PART #	DESCRIPTION	PRICE	PART #	DESCRIPTION	PRICE
2.	Drag Adjusting Knob	.55	37.	Line Guide Screw	.25	59.	Drive Gear	1.00
4.	Spool	5.50	39.	Anti-Reverse Dog Screw	.15	61.	Oscillation Guide	.35
6.	Spool Washer	.15	41.	Anti-Reverse Dog Spring	.25	62.	Drive Gear Spacer	.15
8.	Spindle	1.00	44.	Anti-Reverse Dog	.50	64.	Oscillation Guide Pin	.15
11.	Rotor	4.50	47.	Anti-Reverse Shaft	.90	67.	Side Plate	2.25
15.	Bail Wire	1.60	49.	Anti-Reverse Shaft Spring	.20	70.	Side Plate Screw	.15
17.	Bail Trip Cam	.30	52.	Housing	5.25	71.	Handle Screw Washer	.15
21.	Trip Plate	.40	54.	Anti-Reverse Lever	.25	72.	Handle Screw	.75
25.	Bail Spring	.25	55.	Anti-Reverse Lever Screw	.15	74.	Handle Shank	3.00
29.	Bail Spring Cover	.25	57.	Rotor Lock	.15	90.	Spool Ratchet	.15
31.	Multi-Purpose Screw	.15				91.	Handle Knob	.25
32.	Bail Mount	.40				92.	Handle Knob Screw	.15
35.	Line Guide Cover	.15				93.	Anti-Reverse Screw Lock Washer	.15
36.	Roller Line Guide	.45						

Prices and specifications subject to change without notice.