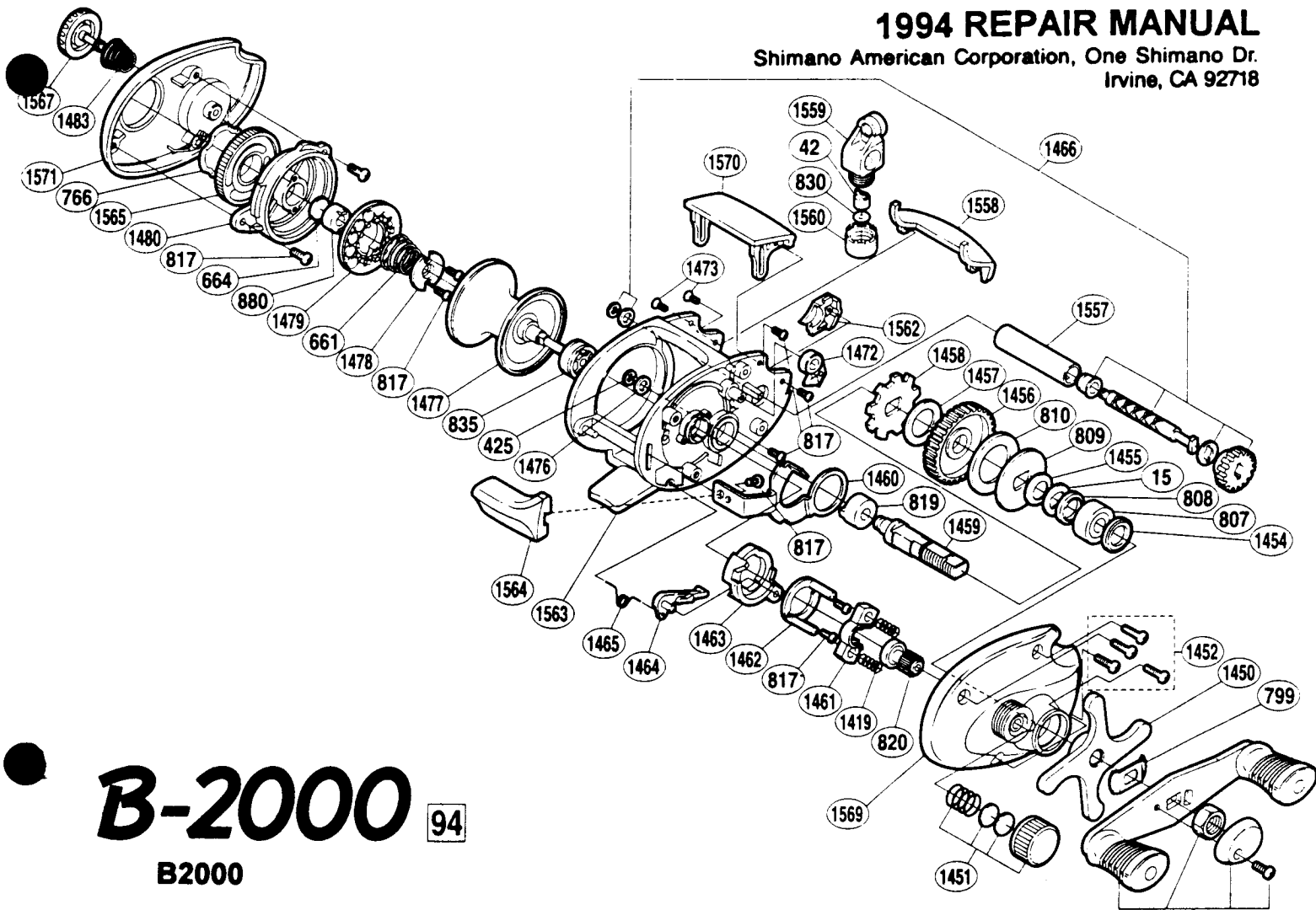


SHIMANO®

1994 REPAIR MANUAL

Shimano American Corporation, One Shimano Dr.
Irvine, CA 92718



B-2000

94

B2000

PART #	DESCRIPTION
BNT0015	Drag Spring Washer
BNT0042	Line Guide Pawl
BNT0425	Drive Gear Retainer
BNT0661	Magnet Retainer Spring
BNT0664	Spacer (B)
BNT0766	Dial Friction Washer
BNT0799	Friction Washer
BNT0807	Drive Shaft Bearing
BNT0808	Friction Washer (B)
BNT0809	Key Washer
BNT0810	Drag Washer
BNT0817	Multi Purpose Screw
BNT0819	Drive Shaft Bushing
BNT0820	Pinion Gear
BNT0830	Spacer (optional)
BNT0835	Spool Shaft Bushing (B)
BNT0880	Spool Shaft Bushing (C)
BNT1419	Yoke Spring
BNT1450	Star Drag

PART #	DESCRIPTION
BNT1451	Cast Control Cap Assembly
BNT1452	Side Palte Screws
BNT1454	Bearing Bushing
BNT1455	Drag Spring Washer
BNT1456	Drive Gear
BNT1457	Drive Shaft Washer (B)
BNT1458	Anti-reverse Ratchet
BNT1459	Drive Shaft
BNT1460	Clutch Plate
BNT1461	Yoke
BNT1462	Clutch Cam Retainer
BNT1463	Clutch Cam
BNT1464	Clutch Pawl
BNT1465	Clutch Pawl Spring
BNT1466	Worm Shaft Assembly
BNT1472	Anti-reverse Pawl
BNT1473	Multi Purpose Screw
BNT1476	Drive Shaft Washer (D)

PART #	DESCRIPTION
BNT1477	Spool
BNT1478	Magnet Holder
BNT1479	Magnet Retainer
BNT1480	Dial Case
BNT1483	Lock Spring
BNT1557	Level Wind Guard
BNT1558	Level Wind Protector
BNT1559	Line Guide
BNT1560	Pawl Cap
BNT1562	Drive Shaft Cover
BNT1563	One-Piece Frame
BNT1564	Quick-Fire II Clutch Bar
BNT1565	Magnetic Control Dial
BNT1567	Lock Screw Cap
BNT1568	Handle Assembly
BNT1569	Right Side Plate
BNT1570	Thumb Rest
BNT1571	Left Side Plate