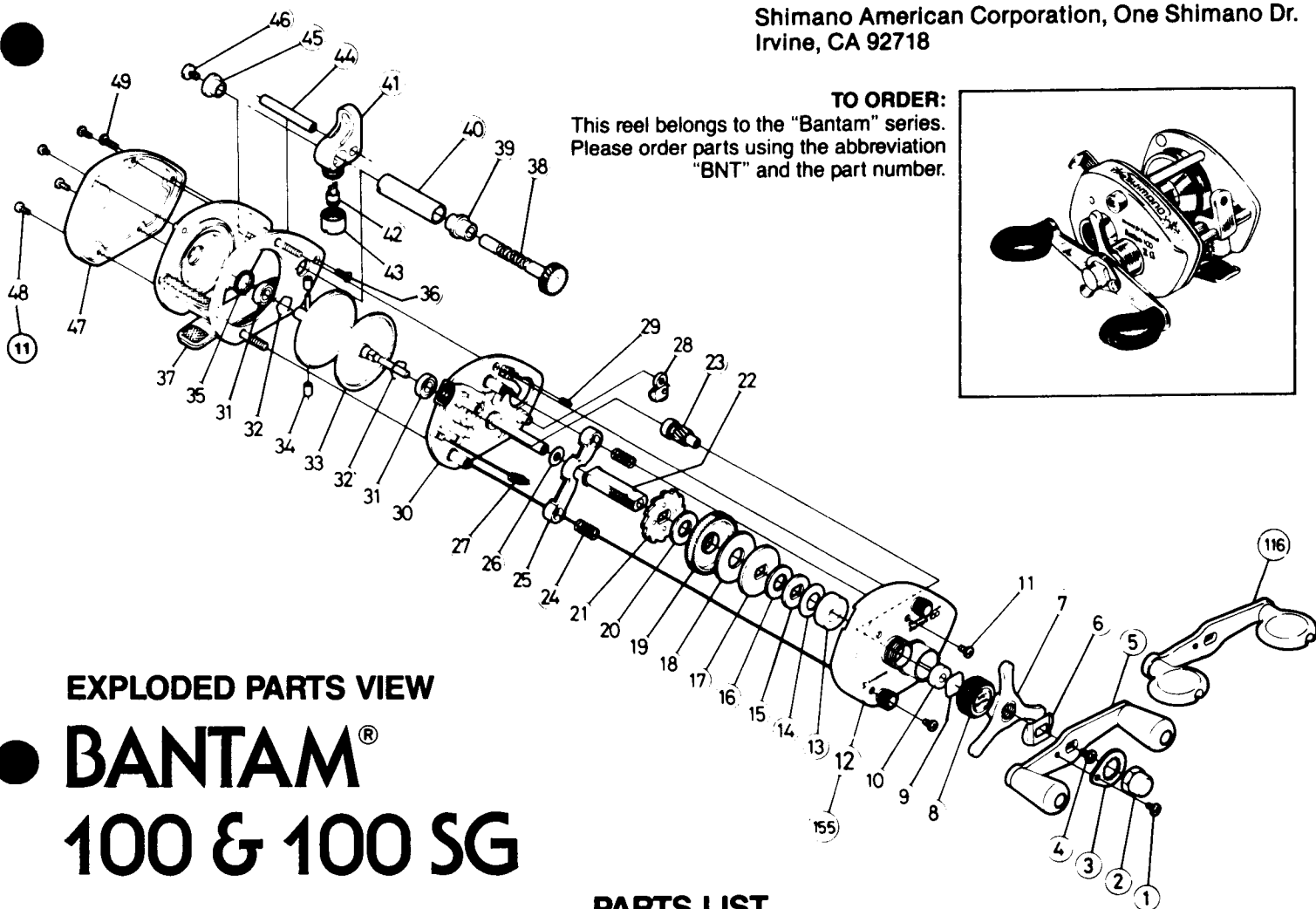
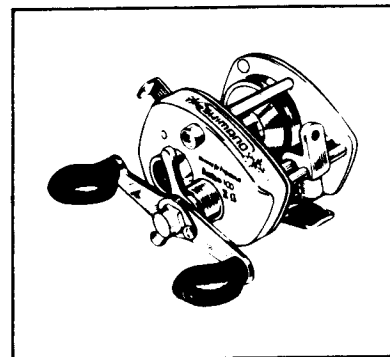


TO ORDER:

This reel belongs to the "Bantam" series.
Please order parts using the abbreviation
"BNT" and the part number.



EXPLODED PARTS VIEW

BANTAM® 100 & 100 SG

PARTS LIST

PART # DESCRIPTION

- 1. Handle Nut Lock Screw
- 2. Handle Nut
- 3. Handle Nut Lock Plate
- 4. Drive Shaft Retainer Screw
- 5. Handle
- 6. Friction Washer
- 7. Drag Tri-Star
- 8. Cast Control Cap
- 9. Cast Control Spacer
- 10. Cast Control Bushing
- 11. Side Plate Screw
- 12. Right Side Plate
- 13. Drive Shaft Bearing
- 14. Drag Spring Washer
- 15. "D" Washer
- 16. Drag Spacer
- 17. Pressure Plate
- 18. Drag Washer

PART # DESCRIPTION

- 19. Drive Gear
- 20. Base Drag Washer
- 21. Anti Reverse Ratchet
- 22. Drive Shaft
- 23. Pinion Gear
- 24. Pinion Yoke Spring
- 25. Pinion Yoke
- 26. Drive Shaft Shim
- 27. Retractor Spring #1
- 28. Anti Reverse Dog
- 29. Retractor Spring #2
- 30. Set Plate
- 31. Spool Shaft Bearing
- 32. Bearing Lock
- 33. Spool
- 34S. Centrifugal Brake Weights (Small)
- 34L. Centrifugal Brake Weights (Large)
- 35. Left Bearing Spacer
- 36. Right Stabilizer Bar Screw

PART # DESCRIPTION

- 37. Frame Assembly
- 38. Level Wind Gear
- 39. Level Wind Bearing (Right)
- 40. Level Wind Guard
- 41. Line Guide
- 42. Level Wind Pawl
- 43. Pawl Cap
- 44. Line Guide Stabilizer Bar
- 45. Level Wind Bearing (Left)
- 46. Level Wind Retainer Screw (Left Hand Thread)
- 47. Left Side Plate
- 48. Left Side Plate Screw
- 49. Left Stabilizer Bar Screw
- 60. Line Guide Pawl Spacer*
- 116. Handle (100 SG)
- 155. Right Side Plate (100 SG)

Prices and specifications subject to change without notice.

*Optional—not shown in exploded view.