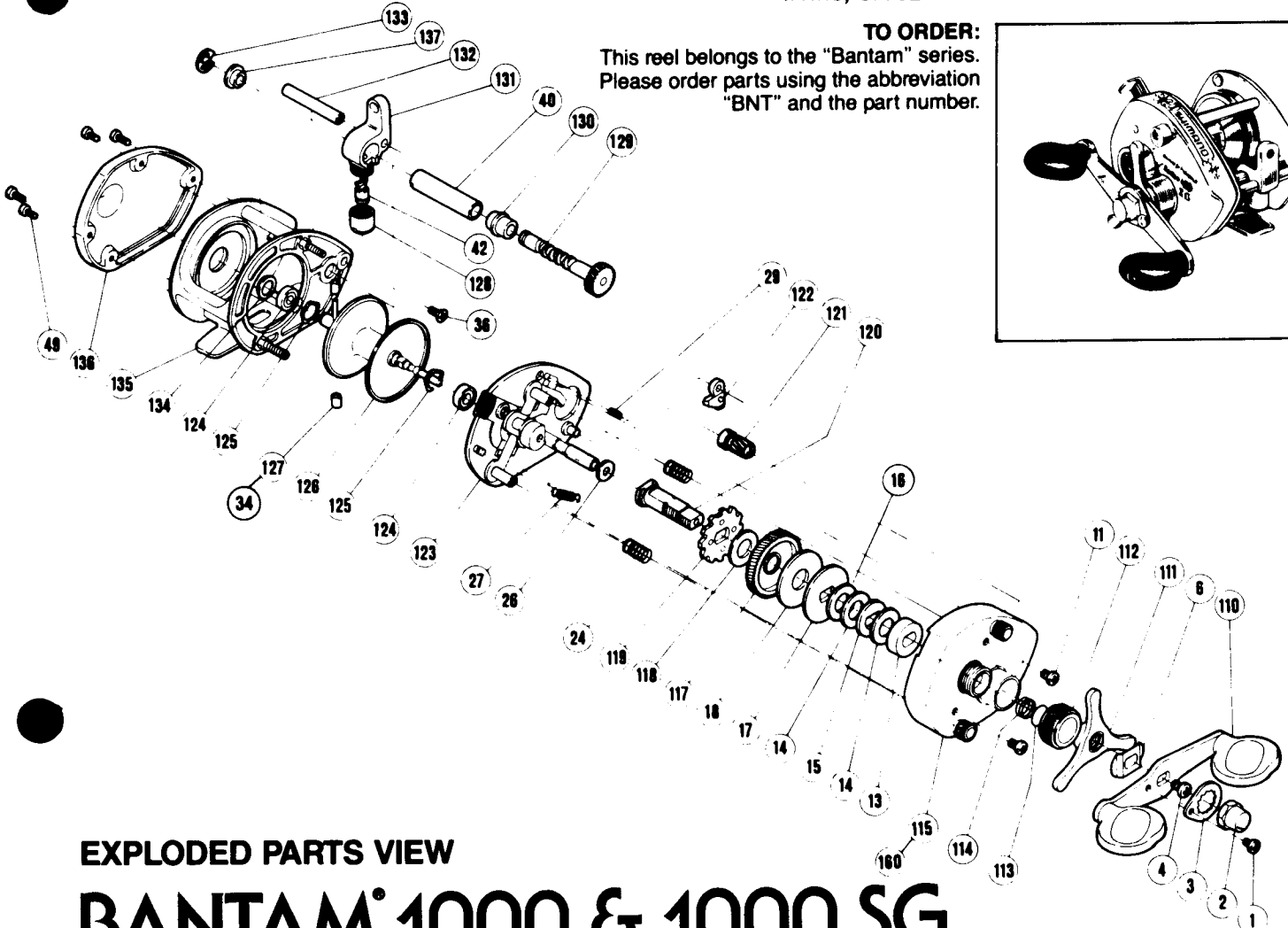
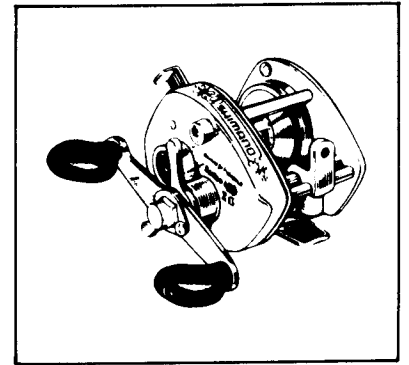


### TO ORDER:

This reel belongs to the "Bantam" series.  
Please order parts using the abbreviation  
"BNT" and the part number.



### EXPLODED PARTS VIEW

# BANTAM® 1000 & 1000 SG

### PARTS LIST

#### PART # DESCRIPTION

- 1. Handle Nut Lock Screw
- 2. Handle Nut
- 3. Handle Nut Lock Plate
- 4. Drive Shaft Retainer Screw
- 6. Friction Washer
- 11. Right Side Plate Screw
- 13. Drive Shaft Bearing
- 14. Drag Spring Washer
- 15. "D" Washer
- 16. Drag Spacer
- 17. Pressure Plate
- 18. Drag Washer
- 24. Pinion Yoke Spring
- 26. Drive Shaft Shim
- 27. Retractor Spring No. 1
- 29. Retractor Spring No. 2

#### PART # DESCRIPTION

- 34S. Centrifugal Brake Weights (Small)
- 34L. Centrifugal Brake Weights (Large)
- 36. Right Stabilizer Bar Screw
- 40. Level Wind Guard
- 42. Level Wind Pawl
- 49. Left Side Plate Screw
- 110. Handle
- 111. Drag Tri Star
- 112. Cast Control Cap
- 113. Cast Control Spacer
- 114. Cast Control Spring
- 115. Right Side Plate
- 117. Drive Gear
- 118. Base Drag Washer
- 119. Anti Reverse Ratchet
- 120. Drive Shaft
- 121. Pinion Gear

#### PART # DESCRIPTION

- 122. Anti Reverse Dog
- 123. Set Plate
- 124. Spool Shaft Bearing
- 125. Bearing Lock
- 126. Spool
- 127. Centrifugal Brake Weight (X-Large)
- 128. Pawl Cap
- 129. Level Wind Gear
- 130. Level Wind Bearing-Right
- 131. Line Guide
- 132. Stabilizer Bar
- 133. Level Wind Gear Lock
- 134. Left Bearing Spacer
- 135. Frame
- 136. Left Side Plate
- 137. Level Wind Bearing
- 160. Right Side Plate