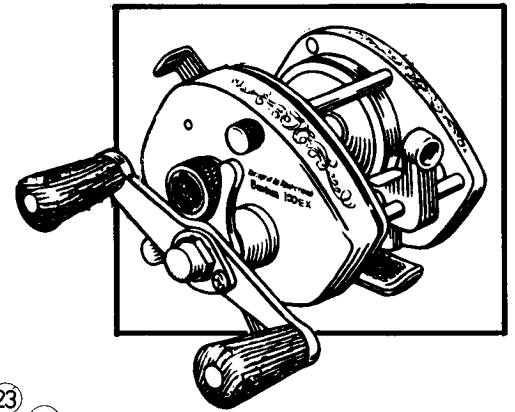


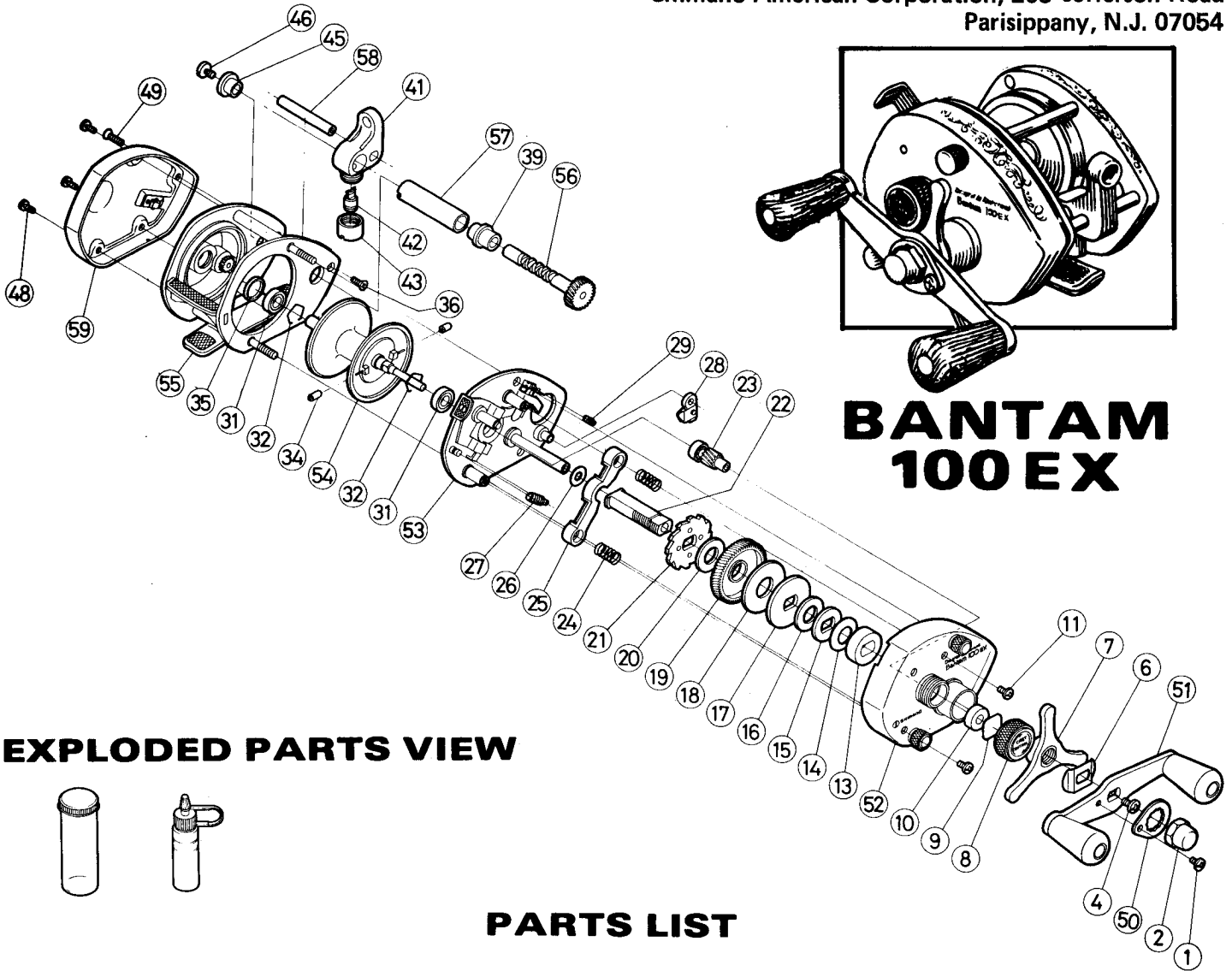
SHIMANO

REPAIR MANUAL

Shimano American Corporation, 205 Jefferson Road
Parisippany, N.J. 07054



BANTAM 100 EX



EXPLODED PARTS VIEW

PARTS LIST

PART #	DESCRIPTION	PRICE	PART #	DESCRIPTION	PRICE	PART #	DESCRIPTION	PRICE
1	Handle Nut Lock Screw	.15	21	Anti Reverse Ratchet	1.80	42	Level Wind Pawl	1.00
2	Handle Nut	.65	22	Drive Shaft	4.60	43	Pawl Cap	.50
4	Drive Shaft Retainer Screw	.15	23	Pinion Gear	6.70	45	Level Wind Bearing (Left)	.20
6	Friction Washer	.20	24	Pinion Yoke Spring	.15	46	Level Wind Retainer Screw	.15
7	Drag Tri-Star	2.15	25	Pinion Yoke	.25	48	Left Side Plate Screw	.20
8	Cast Control Cap	.95	26	Drive Shaft Shim	.15	49	Left Stabilizer Bar Screw	.15
9	Cast Control Spacer	.15	27	Retractor Spring #1	.60	50	Handle Nut Lock Plate	.30
10	Cast Control Bushing	.15	28	Anti Reverse Dog	1.00	51	Handle	6.40
11	Right Sideplate Screw	.15	29	Retractor Spring #2	.35	52	Right Side Plate	10.60
13	Drive Shaft Bearing	.15	31	Spool Shaft Bearing	6.50	53	Set Plate	16.00
14	Drag Spring Washer	.15	32	Bearing Lock	.15	54	Spool	14.70
15	"D" Washer	.20	34	Centrifugal Brake Weights	.15	55	Frame Assembly	32.35
16	Drag Spacer	.40	35	Left Bearing Spacer	.40	56	Level Wind Gear	3.50
17	Pressure Plate	.15	36	Right Stabilizer Bar Screw	.15	57	Level Wind Guard	1.30
18	Drag Washer	.25	39	Level Wind Bearing (Right)	.20	58	Line Guide Stabilizer Bar	1.40
19	Drive Gear	3.50	41	Line Guide	2.50	59	Left Side Plate	7.80
20	Base Drag Washer	.25				60	Line Guide Pawl Spacer*	.15

Prices and specifications subject to change without notice.

*Optional - not shown in exploded view.