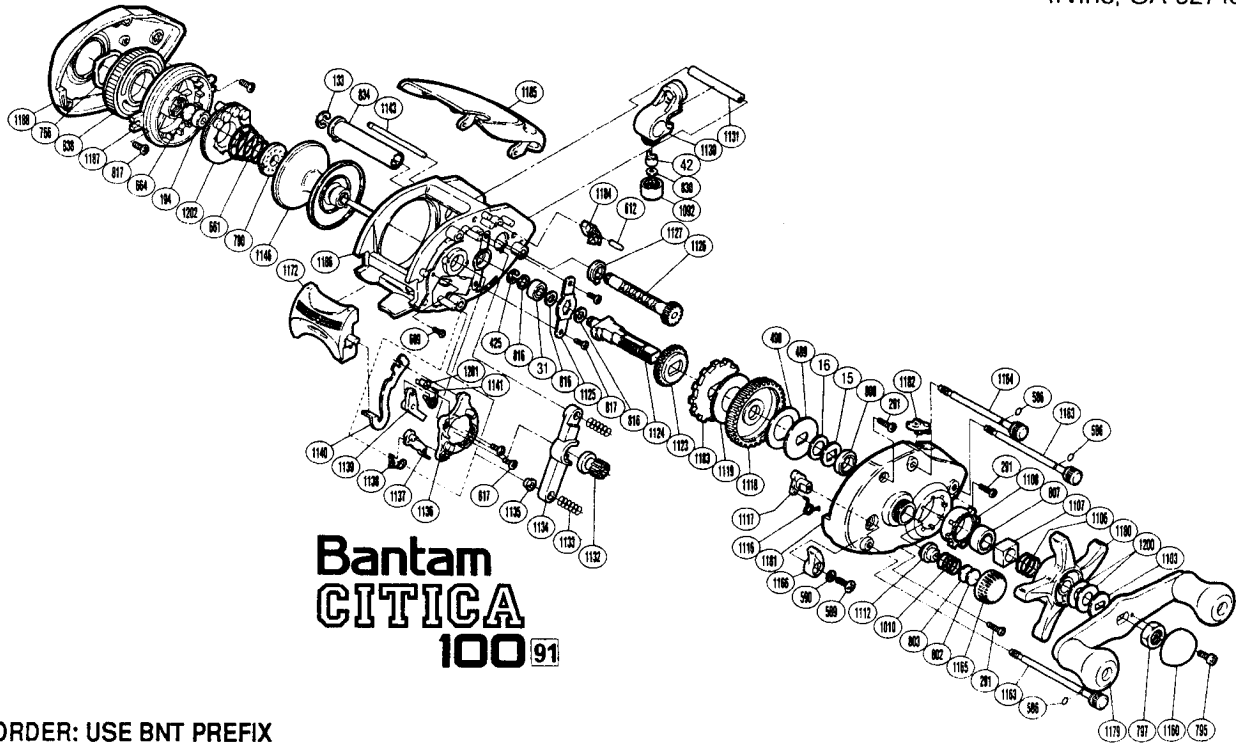


1991 REPAIR MANUAL
 Shimano American Corporation, One Shimano Dr.
 Irvine, CA 92718

 TO ORDER: USE BNT PREFIX
 WITH PART NUMBER
PARTS LIST

BNT #	DESCRIPTION	BNT #	DESCRIPTION	BNT #	DESCRIPTION
0015	Drag Spring Washer	0830	Spacer (optional)	1137	Clutch Pawl
0016	Friction Washer (C)	0834	Level Wind Guard	1138	Clutch Pawl Spring
0031	Drive Shaft Bearing (A)	0838	Magnetic Control Dial	1139	Joint Plate
0042	Line Guide Pawl	1010	Spool Tension Spring	1140	Clutch Plate
0133	Worm Shaft Retainer	1092	Pawl Cap	1141	Retractor Spring
0194	Ball Bearing	1103	Friction Washer (A)	1143	Thumb Rest Support
0291	Right Side Plate Screw	1106	Star Drag Spring	1146	Spool Assembly
0425	Drive Shaft Lock	1107	Star Drag Nut	1160	Handle Nut Cover
0489	Key Washer (A)	1108	Bearing Holder	1163	Side Plate Bolt (A)
0490	Drag Washer (B)	1112	Spool Shaft Bushing	1164	Side Plate Bolt (B)
0586	Bolt Retainer	1116	Cam Spring	1165	Cast Control Cap
0589	Flipping Lever Screw	1117	Flipping Cam	1166	Flipping Lever
0590	Lock Washer	1118	Drive Gear	1172	Quick Fire II Clutch Bar
0609	Clutch Plate Retainer Screw	1119	Drag Washer (A)	1179	Handle Assembly
0612	Anti-Reverse Pawl Pin	1123	Idle Gear	1180	Star Drag
0661	Magnet Retainer Pin	1124	Drive Shaft	1181	Right Side Plate
0664	Spacer (B)	1125	Drive Shaft Retainer	1182	Anti-Reverse Switch
0766	Dial Friction Washer	1126	Worm Shaft	1183	Anti-Reverse Ratchet
0780	Magnet Retainer Lock	1127	Worm Bearing	1184	Anti-Reverse Pawl
0795	Handle Nut Cover Screw	1130	Line Guide	1185	Thumb Rest
0797	Handle Nut	1131	Stabilizer Bar	1186	One-Piece Frame
0802	Spool Tension Spacer (B)	1132	Pinion Gear	1187	Dial Case
0803	Spool Tension Spacer (A)	1133	Yoke Spring	1188	Left Side Plate
0807	Drive Shaft Bearing (B)	1134	Yoke	1200	Star Drag Spacer
0808	Friction Washer (B)	1135	Yoke Spacer	1201	Retractor Spring Collar
0816	Drive Shaft Washer	1136	Clutch Cam	1202	Magnet Retainer
0817	Multi Purpose Screw				

Prices and specifications subject to change without notice

1/1991