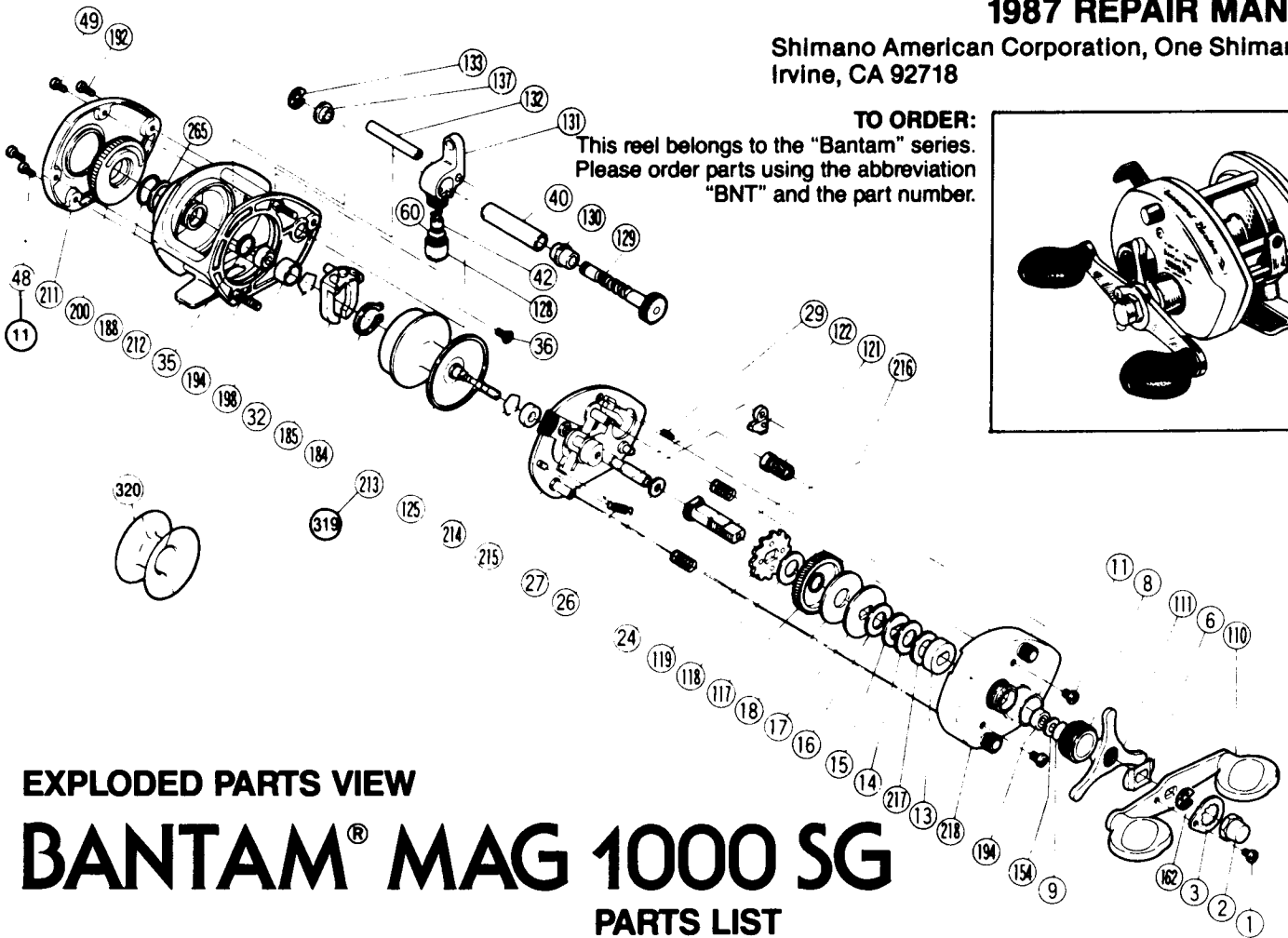
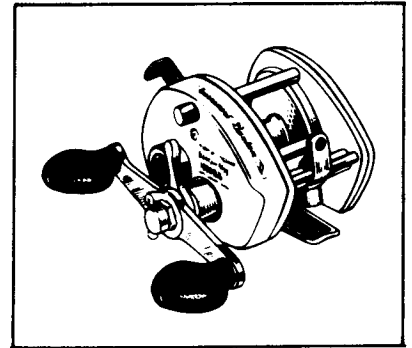


**TO ORDER:**

This reel belongs to the "Bantam" series.  
Please order parts using the abbreviation  
"BNT" and the part number.



**EXPLODED PARTS VIEW**

# BANTAM® MAG 1000 SG

## PARTS LIST

**PART # DESCRIPTION**

- 1. Handle Nut Lock Screw
- 2. Handle Nut
- 3. Handle Nut Lock Plate
- 6. Friction Washer
- 8. Cast Control Cap
- 9. Cast Control Spacer
- 11. Side Plate Screw
- 13. Drive Shaft Bearing
- 14. Drag Spring Washer
- 15. "D" Washer
- 16. Drag Spacer
- 17. Pressure Plate
- 18. Drag Washer
- 24. Pinion Yoke Spring
- 26. Drive Shaft Shim
- 27. Retractor Spring #1
- 29. Retractor Spring #2
- 32. Bearing Lock
- 35. Left Bearing Spacer
- 36. Right Stabilizer Bar Screw
- 40. Level Wind Guard

**PART # DESCRIPTION**

- 42. Level Wind Pawl
- 48. Left Side Plate Screw
- 49. Left Side Plate Screw
- 60. Pawl Shim (Optional)
- 110. Handle
- 111. Drag Tri-Star
- 117. Drive Gear
- 118. Base Drag Washer
- 119. Anti Reverse Ratchet
- 121. Pinion Gear
- 122. Anti Reverse Dog
- 125. Bearing Lock
- 128. Pawl Cap
- 129. Level Wind Gear
- 130. Level Wind Bearing (Right)
- 131. Line Guide
- 132. Stabilizer Bar
- 133. Level Wind Gear Lock
- 137. Level Wind Bearing (Left)

**PART # DESCRIPTION**

- 154. Felt Oil Retainer
- 162. "C" Lock
- 184. Magnet Retainer Lock
- 185. Magnet Retainer
- 188. O Ring
- 192. Left Stabilizer Bar Screw
- 194. Spool Shaft Bearing
- 198. Bearing Spacer
- 200. Magnetic Control Dial
- 211. Left Side Plate
- 212. Frame
- 213. Spool (Old Type)
- 214. Spool Shaft Bushing
- 215. Set Plate
- 216. Drive Shaft
- 217. "E" Washer
- 218. Right Side Plate
- 265. Thrust Washer
- 319. Spool (convertible)
- 320. V-Spool Converter\*