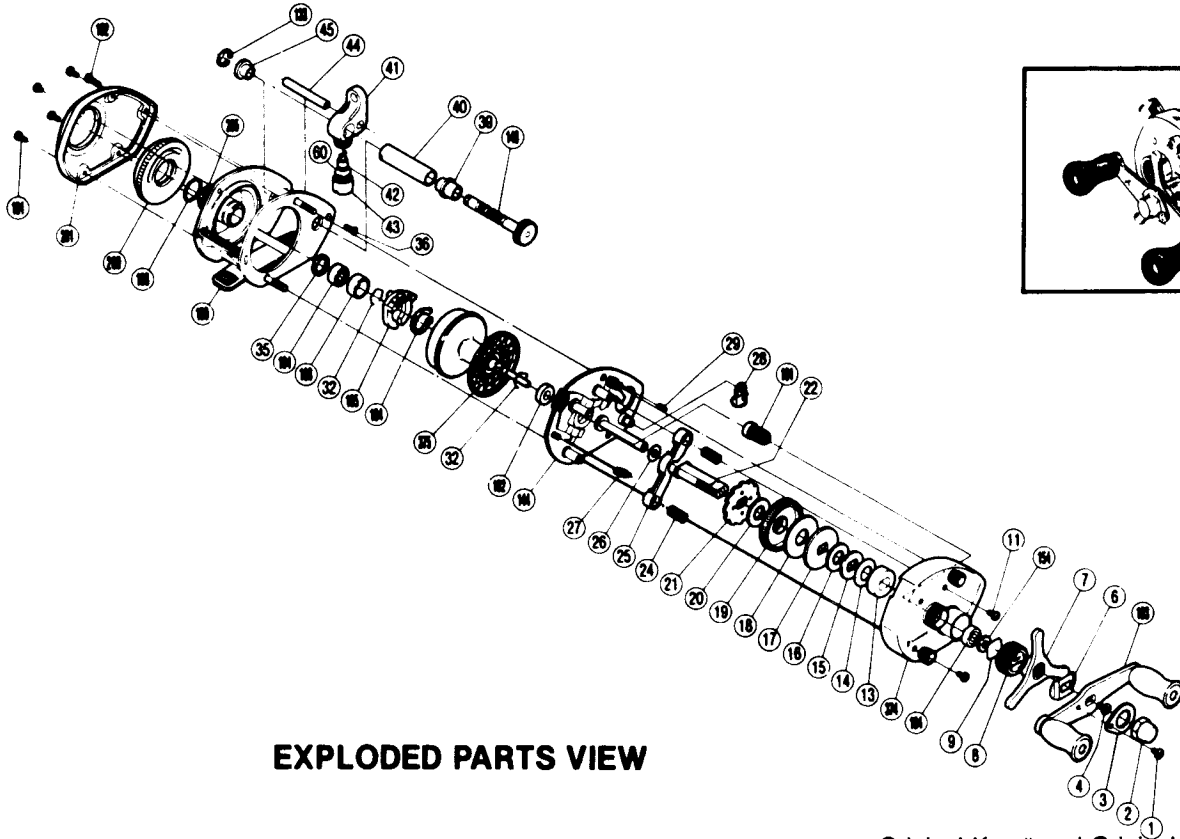


BANTAM® MAG-100X80



EXPLODED PARTS VIEW

TO ORDER:

Original Key # and Original Code # are for cross-reference only. Please order parts using the Part # column and the prefix "BNT" which indicates the Bantam reel series.

PARTS LIST

| ORIGINAL PART # | ORIGINAL KEY # | ORIGINAL CODE # | DESCRIPTION | ORIGINAL PART # | ORIGINAL KEY # | ORIGINAL CODE # | DESCRIPTION |
|-----------------|----------------|-----------------|----------------------------|-----------------|----------------|-----------------|-----------------------------------|
| 1. | 1. | 7-0014 3010 | Handle Nut Plate Screw | 29. | 30. | 7-1822 0610 | Retractor Spring (B) |
| 2. | 2. | 7-2123 0610 | Handle Nut | 144. | 31. | 6-1809 0614 | Set Plate Assembly |
| 3. | 3. | 7-2124 0610 | Handle Nut Plate | 182. | 32. | 7-1845 0600 | Bushing (C) |
| 4. | 4. | 7-0013 4050 | Drive Shaft Screw | 32. | 33. | 7-1516 0610 | Bearing Retainer |
| 193. | 5. | 6-2129 0612 | Handle Assembly | 375. | 34. | 7-1701 0615 | Spool Assembly |
| 6. | 6. | 7-2116 0610 | Friction Washer (A) | 184. | 35. | 7-0040 5070 | Magnet Retainer Lock |
| 7. | 7. | 6-2119 0610 | Star Drag Assembly | 185. | 36. | 7-1593 0612 | Magnet Retainer Assembly |
| 8. | 8. | 7-2010 0610 | Cast Control Cap | 198. | 37. | 7-1599 0612 | Bearing Spacer |
| 9. | 9. | 7-2060 0610 | Spacer (A) | 35. | 38. | 7-1515 0610 | Spacer (B) |
| 154. | 10. | 7-2052 0600 | Felt Washer | 36. | 39. | 7-0012 0010 | Right Stabilizer Bar Screw |
| 194. | 11. | 7-2006 0110 | Bearing | 148. | 40. | 6-1609 0600 | Worm Shaft Assembly |
| 11. | 12. | 7-0013 0050 | Set Plate Screw | 39. | 41. | 7-1605 0610 | Worm Bearing (A) |
| 374. | 13. | 6-2019 0615 | Right Side Plate Assembly | 40. | 42. | 7-1606 0610 | Level Wind Guard |
| 13. | 14. | 7-2113 0610 | Bushing (B) | 41. | 43. | 6-1619 0610 | Line Guide Assembly |
| 14. | 15. | 7-2111 0610 | Friction Washer (B) | 42. | 44. | 7-1611 0610 | Line Guide Pawl |
| 15. | 16. | 7-2112 0610 | Drag Spring Washer | 60. | 45. | 7-1431 0610 | Line Guide Pawl Washer (Optional) |
| 16. | 17. | 7-2110 0610 | Friction Washer (C) | 43. | 46. | 7-1612 0610 | Pawl Cap |
| 17. | 18. | 7-2108 0610 | Key Washer | 44. | 47. | 7-1607 0610 | Stabilizer Bar |
| 18. | 19. | 7-2107 0610 | Drag Washer | 45. | 48. | 7-1601 0610 | Worm Bearing (B) |
| 19. | 20. | 7-2106 0610 | Drive Gear | 133. | 49. | 7-1618 0600 | Worm Shaft Retainer |
| 20. | 21. | 7-2105 0610 | Drive Shaft Washer (B) | 199. | 50. | 6-1509 0612 | Frame Assembly |
| 21. | 22. | 7-2103 0610 | Anti-Reverse Ratchet | 265. | 51. | 7-0020 9030 | Thrust Washer Spacer (Optional) |
| 22. | 23. | 7-2102 0610 | Drive Shaft | 188. | 52. | 7-2005 0610 | O Ring |
| 24. | 24. | 7-1817 0610 | Yoke Spring | 200. | 53. | 7-1442 0611 | Magnetic Control Dial |
| 25. | 25. | 7-1816 0610 | Yoke | 201. | 54. | 7-1401 0612 | Left Side Plate |
| 26. | 26. | 7-2101 0610 | Drive Shaft Washer (A) | 191. | 55. | 7-0013 0040 | Left Side Plate Screw |
| 27. | 27. | 7-1821 1000 | Retractor Spring (A) | 192. | 56. | 7-0013 0060 | Left Stabilizer Bar Screw |
| 181. | 28. | 6-1729 0602 | Pinion Gear Assembly | | | | |
| 28. | 29. | 7-1824 0610 | Anti-Reverse Pawl Assembly | | | | |