

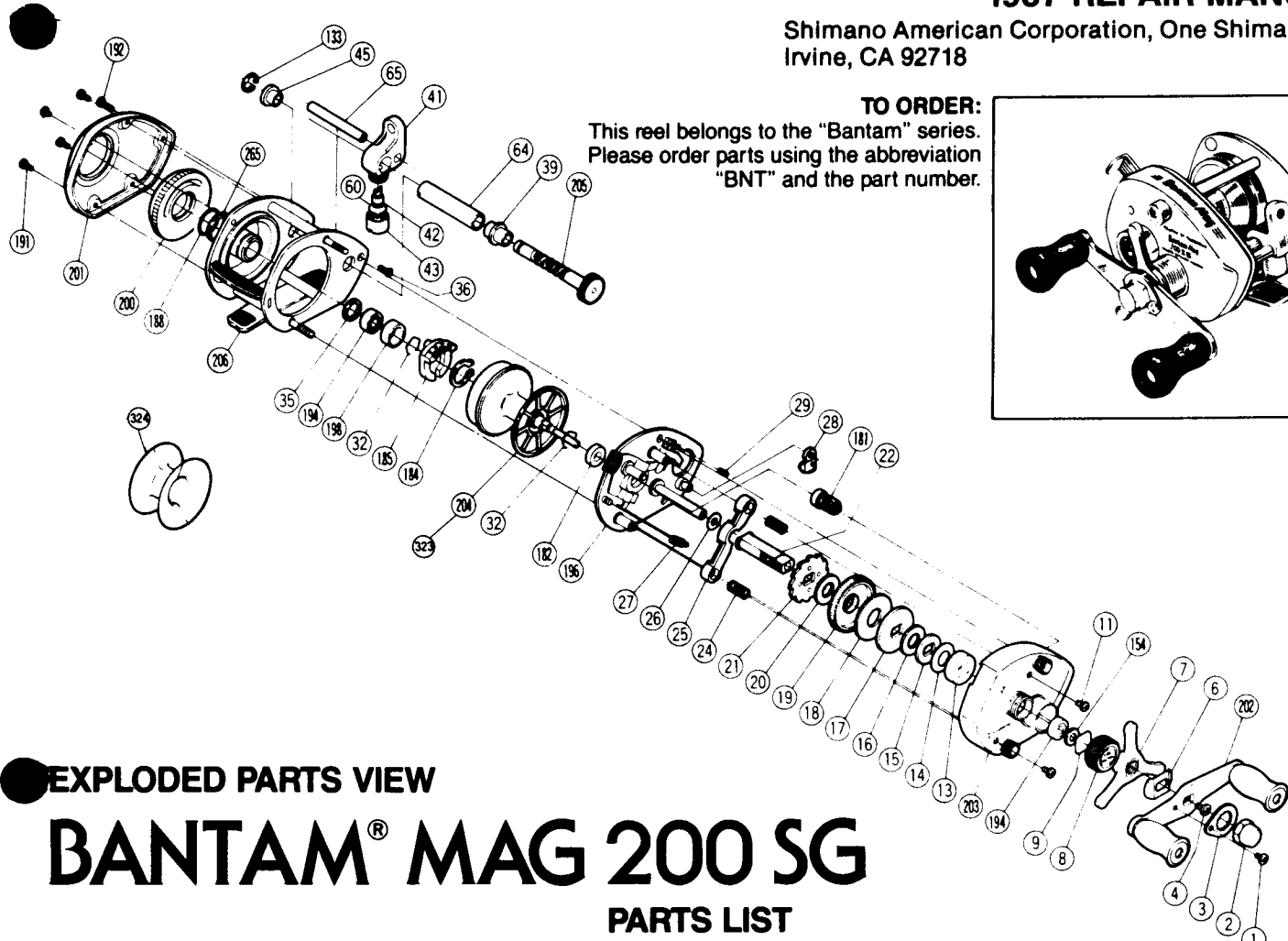
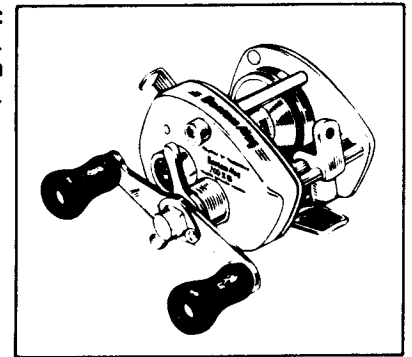
SHIMANO®

1987 REPAIR MANUAL

Shimano American Corporation, One Shimano Dr.
Irvine, CA 92718

TO ORDER:

This reel belongs to the "Bantam" series.
Please order parts using the abbreviation
"BNT" and the part number.



EXPLODED PARTS VIEW

BANTAM® MAG 200 SG

PARTS LIST

PART # DESCRIPTION

- 1. Handle Nut Lock Screw
- 2. Handle Nut
- 3. Handle Nut Lock Plate
- 4. Drive Shaft Retainer Screw
- 6. Friction Washer
- 7. Drag Tri-Star
- 8. Cast Control Cap
- 9. Cast Control Spacer
- 11. Side Plate Screw
- 13. Drive Shaft Bearing
- 14. Drag Spring Washer
- 15. "D" Washer
- 16. Drag Spacer
- 17. Pressure Plate
- 18. Drag Washer
- 19. Drive Gear
- 20. Base Drag Washer
- 21. Anti Reverse Ratchet
- 22. Drive Shaft

PART # DESCRIPTION

- 24. Pinion Yoke Spring
- 25. Pinion Yoke
- 26. Drive Shaft Shim
- 27. Retractor Spring #1
- 28. Anti Reverse Dog
- 29. Retractor Spring #2
- 32. Bearing Lock
- 35. Left Bearing Spacer
- 36. Stabilizer Bar Screw
- 39. Level Wind Bearing (Right)
- 41. Line Guide
- 42. Level Wind Pawl
- 43. Pawl Cap
- 45. Level Wind Bearing (Left)
- 60. Pawl Shim (Optional)
- 64. Level Wind Guard
- 65. Line Guide Stabilizer Bar
- 133. Level Wind Gear Lock
- 154. Felt Oil Retainer
- 181. Pinion Gear

PART # DESCRIPTION

- 182. Spool Shaft Bushing
- 184. Magnet Retainer Lock
- 185. Magnet Retainer
- 188. O Ring
- 191. Left Side Plate Screw
- 192. Left Stabilizer Bar Screw
- 194. Spool Shaft Bearing
- 196. Set Plate
- 198. Bearing Spacer
- 200. Magnetic Control Dial
- 201. Left Side Plate
- 202. Handle
- 203. Right Side Plate
- 204. Spool (Old Type)
- 205. Level Wind Gear
- 206. Frame
- 265. Thrust Washer
- 323. Spool (convertible)
- 324. V-Spool Converter*

Prices and specifications subject to change without notice.

*Usable only with Spool 323.

JUNE 1986

'87-129