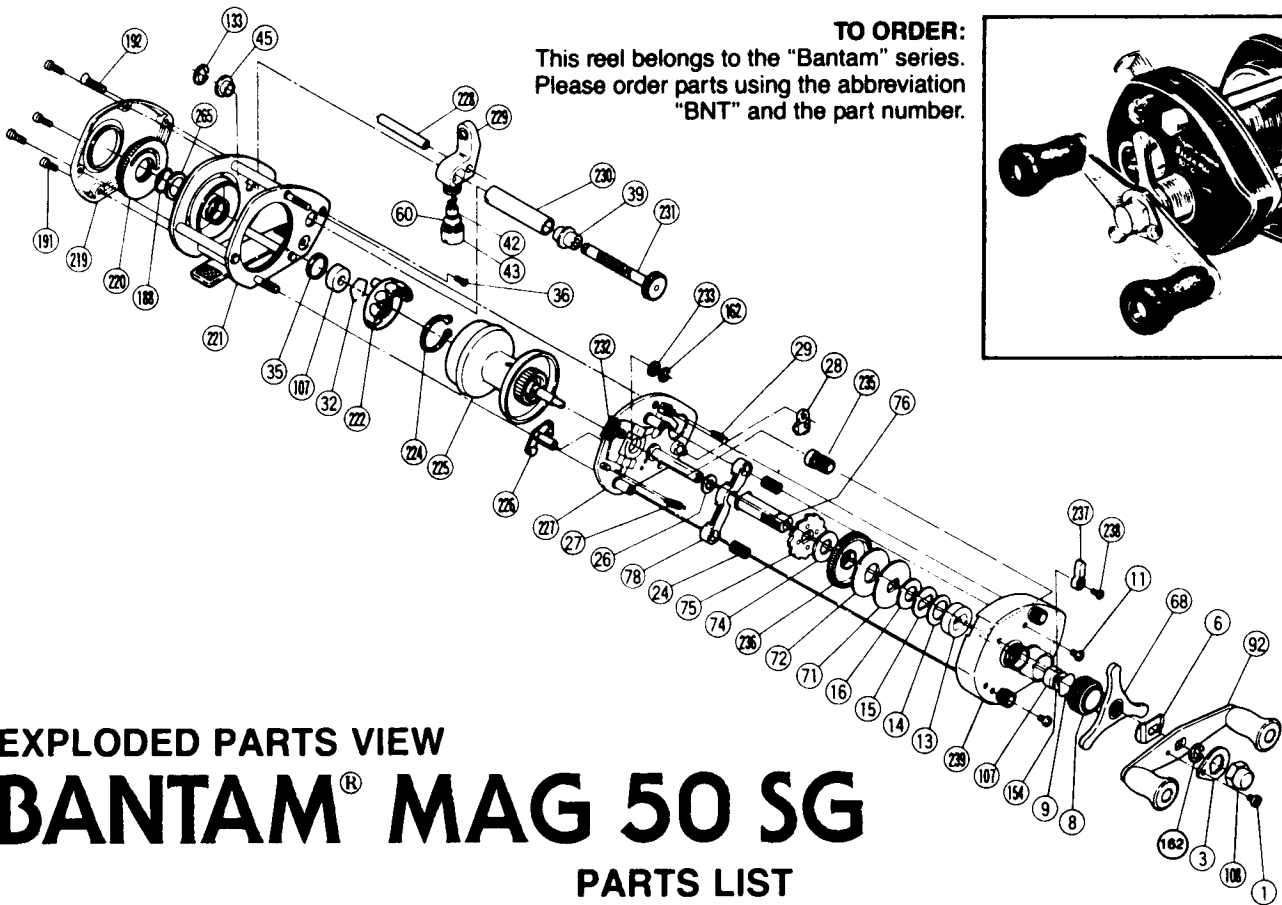
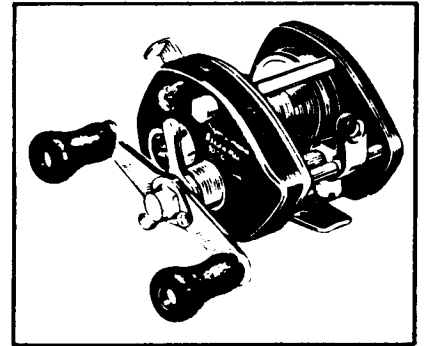


**TO ORDER:**  
This reel belongs to the "Bantam" series.  
Please order parts using the abbreviation  
"BNT" and the part number.



### EXPLODED PARTS VIEW

# BANTAM® MAG 50 SG

## PARTS LIST

### PART# DESCRIPTION

- 1. Handle Nut Lock Screw
- 3. Handle Nut Lock Plate
- 6. Friction Washer
- 8. Cast Control Cap
- 9. Cast Control Spacer
- 11. Side Plate Screw
- 13. Drive Shaft Bearing
- 14. Drag Spring Washer
- 15. "D" Washer
- 16. Drag Spacer
- 24. Pinion Yoke Spring
- 26. Drive Shaft Shim
- 27. Retractor Spring #1
- 28. Anti Reverse Dog
- 29. Retractor Spring #2
- 32. Bearing Lock
- 35. Left Bearing Spacer
- 36. Right Stabilizer Bar Screw
- 39. Level Wind Bearing (Right)

### PART# DESCRIPTION

- 42. Level Wind Pawl
- 43. Pawl Cap
- 45. Level Wind Bearing (Left)
- 60. Pawl Shim (Optional)
- 68. Drag Tri-Star
- 71. Pressure Plate
- 72. Drag Washer
- 74. Base Drag Washer
- 75. Anti Reverse Ratchet
- 76. Drive Shaft
- 78. Pinion Yoke
- 92. Handle
- 107. Spool Bushing
- 108. Handle Nut
- 133. Level Wind Gear Lock
- 154. Felt Oil Retainer
- 162. "C" Lock (orig. 240)
- 188. O Ring
- 191. Left Side Plate Screw
- 192. Left Stabilizer Bar Screw

### PART# DESCRIPTION

- 219. Left Side Plate
- 220. Magnetic Control Cap
- 221. Frame
- 222. Magnet Retainer
- 224. Magnet Retainer Lock
- 225. Spool
- 226. Click
- 227. Set Plate
- 228. Stabilizer Bar
- 229. Line Guide
- 230. Level Wind Guard
- 231. Level Wind Gear
- 232. Clutch Lever
- 233. Clutch Lever Spacer
- 235. Pinion Gear
- 236. Drive Gear
- 237. Click Lever
- 238. Click Lever Screw
- 239. Right Side Plate
- 265. Thrust Washer