

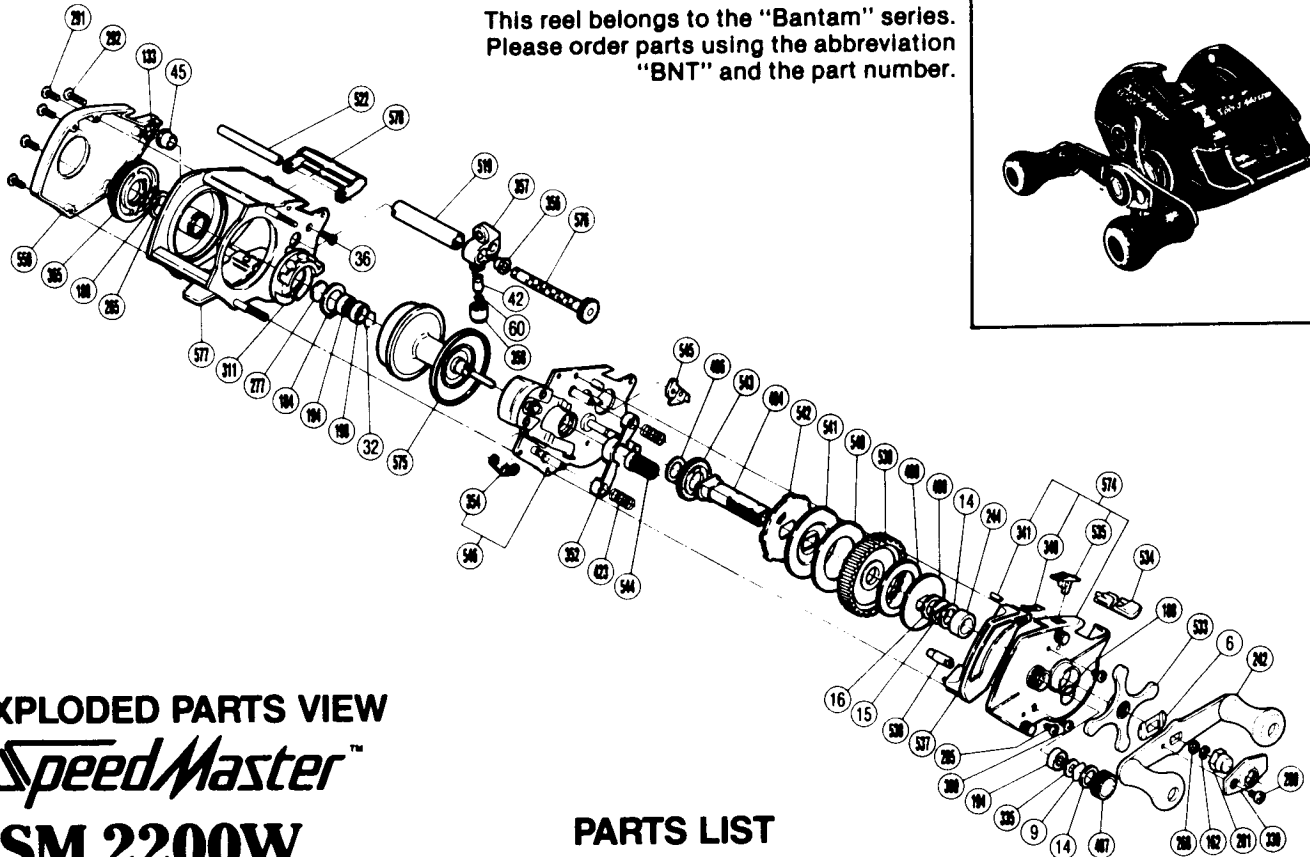
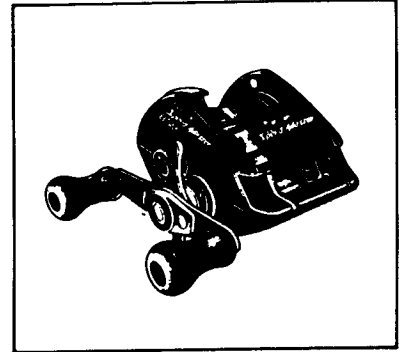
SHIMANO®

1987 REPAIR MANUAL

Shimano American Corporation, One Shimano Dr.
Irvine, CA 92718

TO ORDER:

This reel belongs to the "Bantam" series.
Please order parts using the abbreviation
"BNT" and the part number.



EXPLODED PARTS VIEW

SpeedMaster™

BSM 2200W

PARTS LIST

PART #	DESCRIPTION	PART #	DESCRIPTION	PART #	DESCRIPTION
6.	Friction Washer (A)	281.	Handle Nut	496.	Drive Shaft Washer "C"
9.	Spacer (A)	285.	Set Plate Screw	519.	Level Wind Guard
14.	Friction Washer (B)	291.	Side Plate Screw	522.	Stabilizer Bar
15.	Drag Spring Washer	292.	Stabilizer Bar Screw (B)	533.	Star Drag
16.	Friction Washer (C)	311.	Magnet Retainer	534.	Right Side Plate Cover
32.	Bearing Retainer	330.	Handle Nut Lock Plate	535.	Anti-Reverse Switch
36.	Stabilizer Bar Screw (A)	335.	Bearing Washer (A)	537.	Clutch Button Attachment
42.	Line Guide Pawl	340.	Switch Spring	538.	Retractor Guide
45.	Worm Bearing (B)	341.	Switch Spring Lock	539.	Drive Gear
60.	Spacer (Optional)	352.	Pinion Yoke	540.	Drive Shaft Washer "B"
133.	Worm Shaft Retainer	354.	Retractor Spring	541.	Key Washer "B"
162.	Drive Shaft Retainer	356.	Worm Bearing "A"	542.	Anti-Reverse Ratchet
184.	Magnet Retainer Lock	357.	Line Guide	543.	Idle Gear
188.	O Ring	358.	Pawl Cap	544.	Pinion Gear
194.	Ball Bearing	365.	Magnetic Control Dial	545.	Anti-Reverse Pawl
198.	Bearing Spacer	399.	Retractor Guide Screw (Large Head)	546.	Set Plate Assembly
242.	Handle	423.	Yoke Spring	550.	Left Side Plate
244.	Bushing (B)	487.	Cast Control Cap	574.	Right Side Plate
265.	Spacer (Optional)	489.	Key Washer "A"	575.	Spool
268.	Drive Shaft Washer (A)	490.	Drag Washer	576.	Worm Shaft
277.	Spacer (B)	494.	Drive Shaft	577.	Frame
280.	Handle Screw "B"			578.	Level Wind Protector