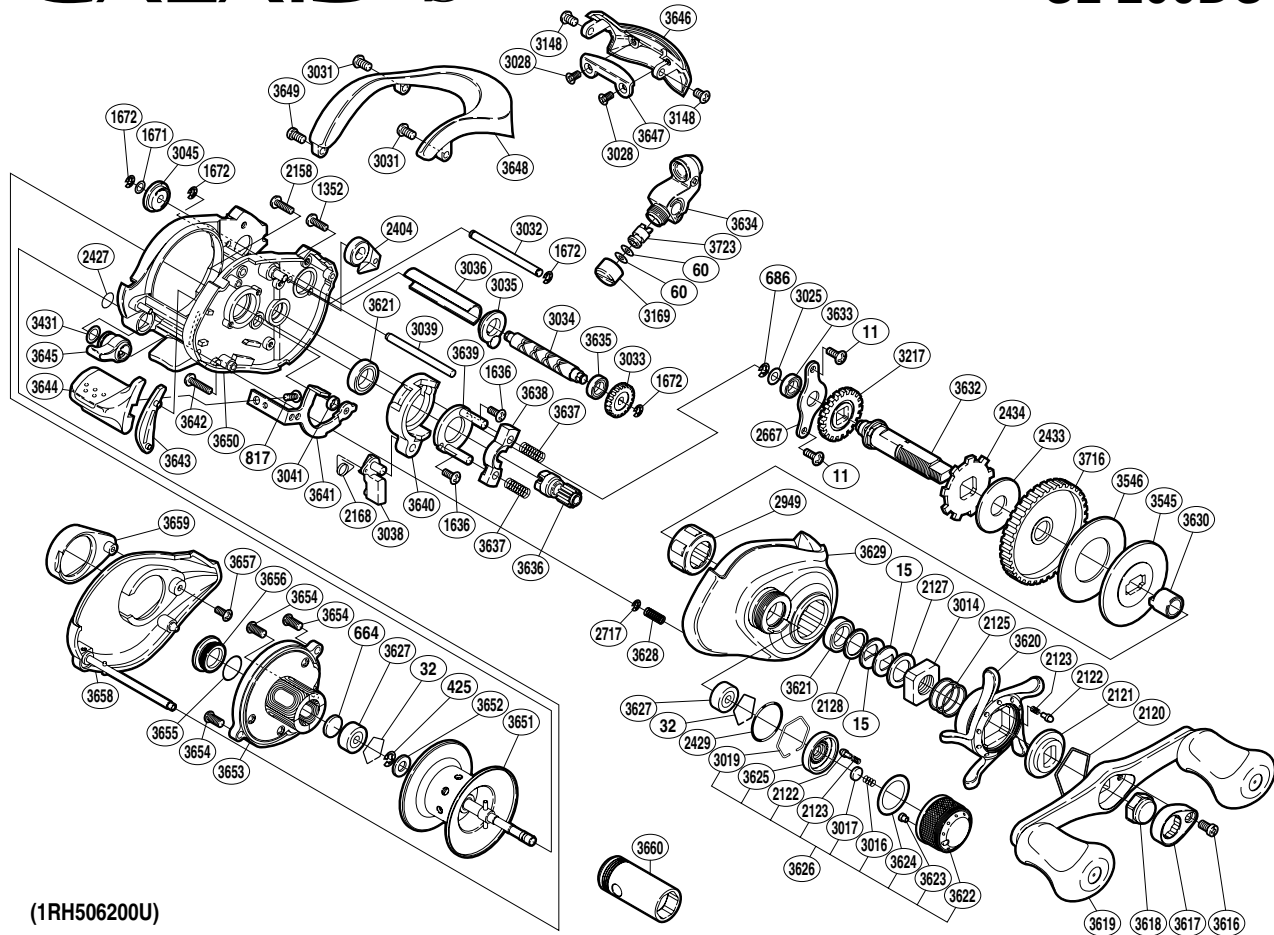


SHIMANO

CALAIS S A-RB

CL-200DC



(1RH506200U)

| Part No. | Description | Part No. | Description | Part No. | Description |
|----------|---------------------------|----------|----------------------------|----------|--------------------------|
| BNT0011 | Screw | BNT3025 | Washer | BNT3632 | Drive Shaft |
| BNT0015 | Drag Spring Washer | BNT3028 | Screw | BNT3633 | Ball Bearing |
| BNT0032 | Bearing Retainer | BNT3031 | Screw | BNT3634 | Line Guide |
| BNT0060 | Spacer | BNT3032 | Line Guard | BNT3635 | Ball Bearing |
| BNT0425 | E Lock | BNT3033 | Idle Gear | BNT3636 | Pinion Gear |
| BNT0664 | Spacer B | BNT3034 | Worm Shaft | BNT3637 | Yoke Spring |
| BNT0686 | E Lock | BNT3035 | Worm Bushing A | BNT3638 | Yoke |
| BNT0817 | Screw | BNT3036 | Level Wind Guard | BNT3639 | Clutch Cam Retainer |
| BNT1352 | Screw | BNT3038 | Clutch Pawl | BNT3640 | Clutch Cam |
| BNT1636 | Screw | BNT3039 | Level Wind Guide | BNT3641 | Clutch Plate |
| BNT1671 | Washer | BNT3041 | Clutch Plate Shaft Support | BNT3642 | Screw |
| BNT1672 | E Lock | BNT3045 | Worm Bushing B | BNT3643 | Clutch Bar Guide B |
| BNT2120 | Click Plate Retainer | BNT3148 | Screw | BNT3644 | Quick-Fire II Clutch Bar |
| BNT2121 | Star Drag Click | BNT3169 | Pawl Cap | BNT3645 | Side Plate Cam Lever |
| BNT2122 | Click Pin | BNT3217 | Idle Gear | BNT3646 | Level Wind Protector |
| BNT2123 | Click Spring | BNT3431 | Washer | BNT3647 | Line Guard Retainer |
| BNT2125 | Star Drag Spring | BNT3545 | Key Washer | BNT3648 | Thumb Rest |
| BNT2127 | Star Drag Spacer | BNT3546 | Drag Washer | BNT3649 | Screw |
| BNT2128 | Bearing Washer | BNT3616 | Screw | BNT3650 | One-Piece Frame |
| BNT2158 | Screw | BNT3617 | Handle Nut Plate | BNT3651 | Spool Assembly |
| BNT2168 | Clutch Pawl Spring | BNT3618 | Handle Nut | BNT3652 | Magnetic Plate |
| BNT2404 | Anti-Reverse Pawl | BNT3619 | Handle Assembly | BNT3653 | Digital Control Assembly |
| BNT2427 | O Ring | BNT3620 | Star Drag | BNT3654 | Screw |
| BNT2429 | O Ring | BNT3621 | Ball Bearing | BNT3655 | O Ring |
| BNT2433 | Drag Washer | BNT3622 | Cast Control Cap | BNT3656 | Oil Cap |
| BNT2434 | Anti-Reverse Ratchet | BNT3623 | Cast Control Cap Retainer | BNT3657 | Screw |
| BNT2667 | Drive Shaft Retainer | BNT3624 | Retainer Sheet | BNT3658 | Left Side Plate |
| BNT2717 | E Lock | BNT3625 | Cast Control Click Plate | BNT3659 | BR Retainer |
| BNT2949 | Roller Clutch Bearing | BNT3626 | Cast Control Cap Assembly | BNT3716 | Drive Gear |
| BNT3014 | Star Drag Nut | BNT3627 | Ball Bearing | BNT3723 | Line Guide Pawl |
| BNT3016 | Spool Tension Spring | BNT3628 | Side Plate Spring | | |
| BNT3017 | Cast Control Spacer | BNT3629 | Right Side Plate | | |
| BNT3019 | Cast Control Click Holder | BNT3630 | Roller Clutch Inner Tube | BNT3660 | Wrench (accessory) |