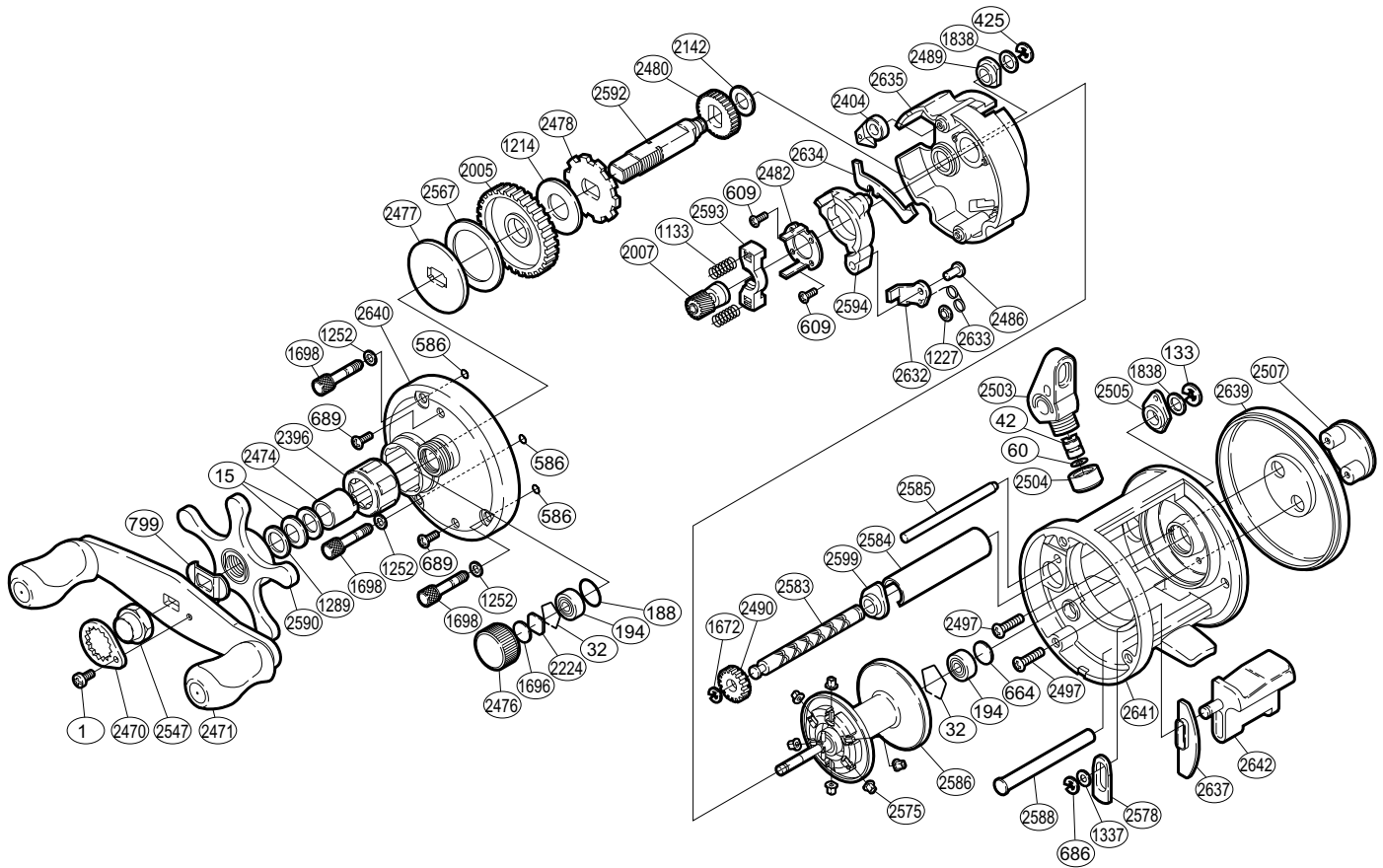


SHIMANO®

CARDIFF®

CDF-301



Part No.	Description	Part No.	Description	Part No.	Description
BNT0001	Handle Nut Plate Screw	BNT1838	Worm Shaft Spacer	BNT2567	Drag Washer (C)
BNT0015	Drag Spring Washer	BNT2005	Drive Gear	BNT2575	Brake Collar
BNT0032	Bearing Retainer	BNT2007	Pinion Gear	BNT2578	Clutch Bar Guide (A)
BNT0042	Line Guide Pawl	BNT2142	Idle Gear (A) Spacer	BNT2583	Worm Shaft
BNT0060	Spacer (optional)	BNT2224	Spool Tension Spacer (A)	BNT2584	Level Wind Guard
BNT0133	Worm Shaft Retainer	BNT2396	Roller Clutch Bearing	BNT2585	Level Wind Guide
BNT0188	"O" Ring	BNT2404	Anti-Reverse Pawl	BNT2586	Spool Assembly
BNT0194	Ball Bearing	BNT2470	Handle Nut Plate	BNT2588	Clutch Bar Support
BNT0425	"E" Lock	BNT2471	Handle Assembly	BNT2590	Star Drag
BNT0586	Bolt Retainer	BNT2474	Roller Clutch Inner Tube	BNT2592	Drive Shaft
BNT0609	Clutch Cam Screw	BNT2476	Cast Control Cap	BNT2593	Yoke
BNT0664	Spacer (B)	BNT2477	Key Washer	BNT2594	Clutch Cam
BNT0686	"E" Lock	BNT2478	Anti-Reverse Ratchet	BNT2599	Worm Bushing (A)
BNT0689	Set Plate Screw	BNT2480	Idle Gear (A)	BNT2632	Clutch Pawl
BNT0799	Friction Washer	BNT2482	Clutch Cam Retainer	BNT2633	Clutch Pawl Spring
BNT1133	Yoke Spring	BNT2486	Clutch Pawl Pin	BNT2634	Clutch Plate
BNT1214	Drag Washer (A)	BNT2489	Drive Shaft Bushing	BNT2635	Set Plate
BNT1227	Clutch Pawl Spring Retainer	BNT2490	Idle Gear (C)	BNT2637	Clutch Bar Guide (B)
BNT1252	Left Side Plate Bolt Washer	BNT2497	ID Plate Screw	BNT2639	Right Side Plate
BNT1289	Star Drag Spacer	BNT2503	Line Guide	BNT2640	Left Side Plate
BNT1337	Clutch Bar Support Spacer	BNT2504	Pawl Cap	BNT2641	One-Piece Frame
BNT1672	"E" Lock	BNT2505	Worm Bushing (B)	BNT2642	Quick-Fire II Clutch Bar
BNT1696	Cast Control Spacer (B)	BNT2507	Right Side ID Plate		
BNT1698	Left Side Plate Bolt	BNT2547	Handle Nut		