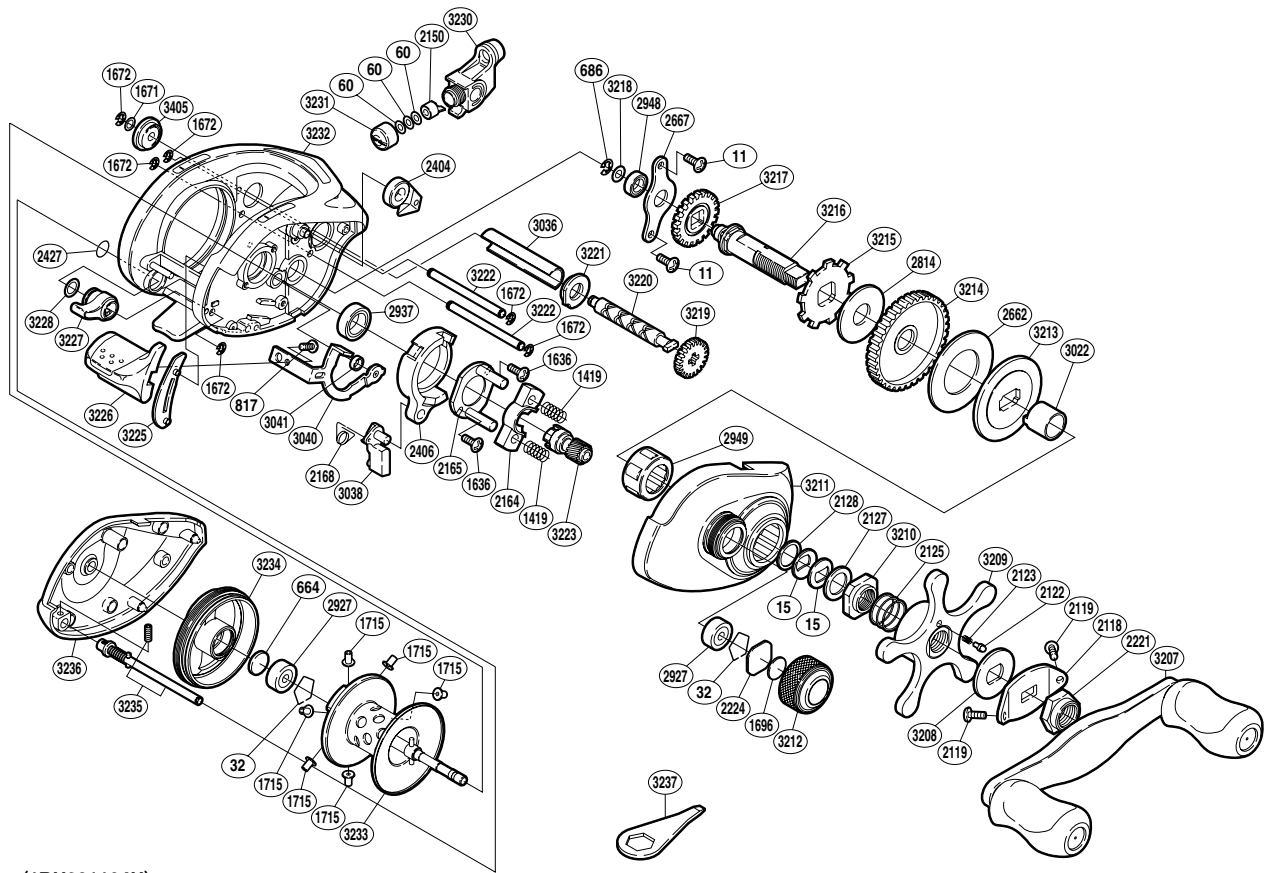


SHIMANO®

CHRONARCH

CH-100B



(1RH291104U)

Part No.	Description	Part No.	Description	Part No.	Description
BNT0011	Screw	BNT2221	Handle Nut	BNT3213	Key Washer
BNT0015	Drag Spring Washer	BNT2224	Spool Tension Spacer A	BNT3214	Drive Gear
BNT0032	Bearing Retainer	BNT2404	Anti-Reverse Pawl	BNT3215	Anti-Reverse Ratchet
BNT0060	Spacer	BNT2406	Clutch Cam	BNT3216	Drive Shaft
BNT0664	Spacer B	BNT2427	O Ring	BNT3217	Idle Gear A
BNT0686	E Lock	BNT2662	Drag Washer C	BNT3218	Washer
BNT0817	Screw	BNT2667	Drive Shaft Retainer	BNT3219	Idle Gear C
BNT1419	Yoke Spring	BNT2814	Drag Washer A	BNT3220	Worm Shaft
BNT1636	Screw	BNT2927	Ball Bearing	BNT3221	Worm Bushing A
BNT1671	Washer	BNT2937	Ball Bearing	BNT3222	Level Wind Guide
BNT1672	E Lock	BNT2948	Ball Bearing	BNT3223	Pinion Gear
BNT1696	Cast Control Spacer B	BNT2949	Roller Clutch Bearing	BNT3225	Clutch Bar Guide B
BNT1715	Brake Collar (red)	BNT3022	Roller Clutch Inner Tube	BNT3226	Quick-Fire II Clutch Bar
BNT2118	Handle Nut Plate	BNT3036	Level Wind Guard	BNT3227	Side Plate Cam Lever
BNT2119	Screw	BNT3038	Clutch Pawl	BNT3228	Washer
BNT2122	Click Pin	BNT3040	Clutch Plate	BNT3230	Line Guide
BNT2123	Click Spring	BNT3041	Clutch Plate Shaft Support	BNT3231	Pawl Cap
BNT2125	Star Drag Spring	BNT3045	Worm Bushing B	BNT3232	One-Piece Frame
BNT2127	Star Drag Spacer	BNT3207	Handle Assembly	BNT3233	Spool Assembly
BNT2128	Bearing Washer	BNT3208	Star Drag Click Plate	BNT3234	Brake Case
BNT2150	Line Guide Pawl	BNT3209	Star Drag	BNT3235	Side Plate Shaft
BNT2164	Yoke	BNT3210	Star Drag Nut	BNT3236	Left Side Plate
BNT2165	Clutch Cam Retainer	BNT3211	Right Side Plate		
BNT2168	Clutch Pawl Spring	BNT3212	Cast Control Cap	BNT3237	Wrench (accessory)

(160707)