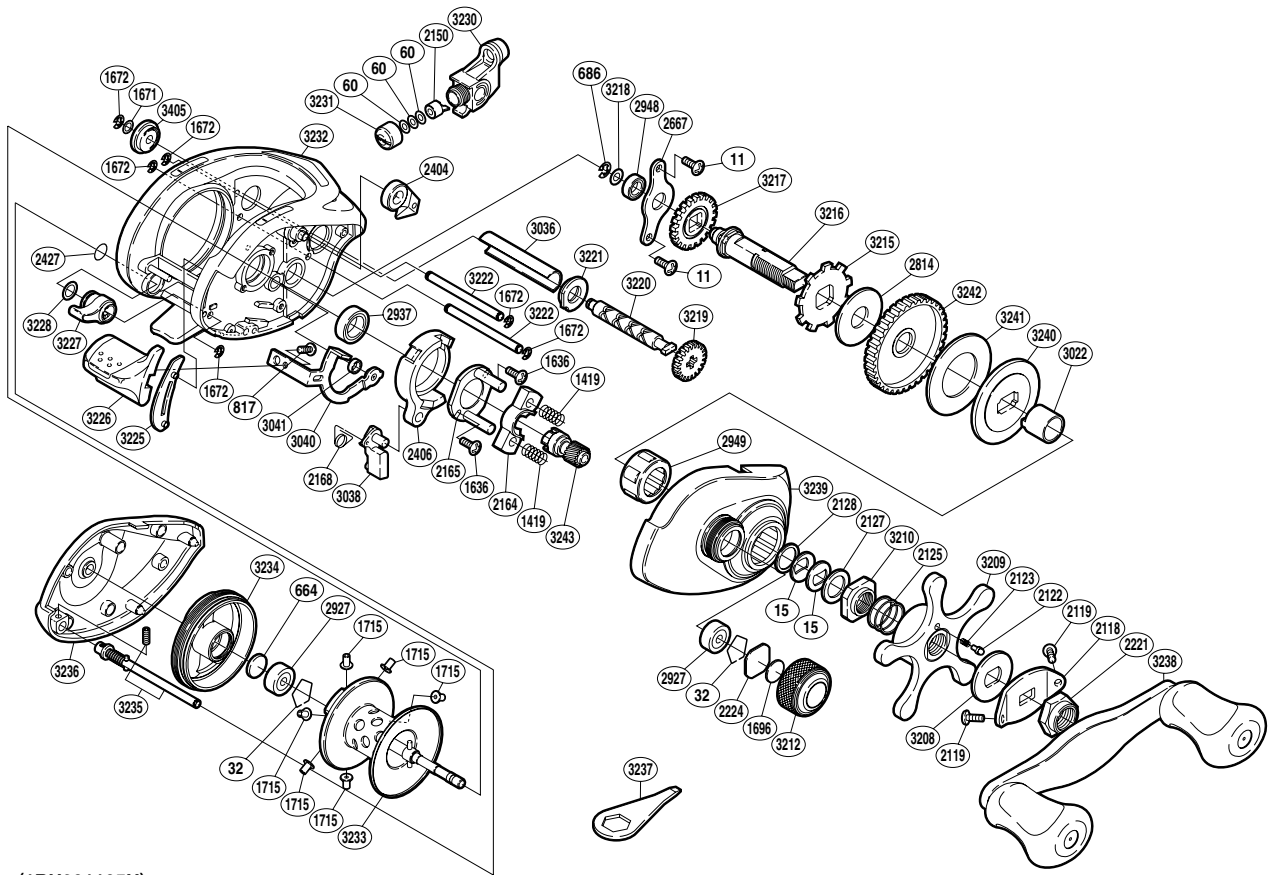


SHIMANO®

CHRONARCH

CH-100BPV



(1RH291105U)

Part No.	Description	Part No.	Description	Part No.	Description
BNT0011	Screw	BNT2221	Handle Nut	BNT3218	Washer
BNT0015	Drag Spring Washer	BNT2224	Spool Tension Spacer A	BNT3219	Idle Gear C
BNT0032	Bearing Retainer	BNT2404	Anti-Reverse Pawl	BNT3220	Worm Shaft
BNT0060	Spacer	BNT2406	Clutch Cam	BNT3221	Worm Bushing A
BNT0664	Spacer B	BNT2427	O Ring	BNT3222	Level Wind Guide
BNT0686	E Lock	BNT2667	Drive Shaft Retainer	BNT3225	Clutch Bar Guide B
BNT0817	Screw	BNT2814	Drag Washer A	BNT3226	Quick-Fire II Clutch Bar
BNT1419	Yoke Spring	BNT2927	Ball Bearing	BNT3227	Side Plate Cam Lever
BNT1636	Screw	BNT2937	Ball Bearing	BNT3228	Washer
BNT1671	Washer	BNT2948	Ball Bearing	BNT3230	Line Guide
BNT1672	E Lock	BNT2949	Roller Clutch Bearing	BNT3231	Pawl Cap
BNT1696	Cast Control Spacer B	BNT3022	Roller Clutch Inner Tube	BNT3232	One-Piece Frame
BNT1715	Brake Collar (red)	BNT3036	Level Wind Guard	BNT3233	Spool Assembly
BNT2118	Handle Nut Plate	BNT3038	Clutch Pawl	BNT3234	Brake Case
BNT2119	Screw	BNT3040	Clutch Plate	BNT3235	Side Plate Shaft
BNT2122	Click Pin	BNT3041	Clutch Plate Shaft Support	BNT3236	Left Side Plate
BNT2123	Click Spring	BNT3045	Worm Bushing B	BNT3238	Handle Assembly
BNT2125	Star Drag Spring	BNT3208	Star Drag Click Plate	BNT3239	Right Side Plate
BNT2127	Star Drag Spacer	BNT3209	Star Drag	BNT3240	Key Washer
BNT2128	Bearing Washer	BNT3210	Star Drag Nut	BNT3241	Drag Washer C
BNT2150	Line Guide Pawl	BNT3212	Cast Control Cap	BNT3242	Drive Gear
BNT2164	Yoke	BNT3215	Anti-Reverse Ratchet	BNT3243	Pinion Gear
BNT2165	Clutch Cam Retainer	BNT3216	Drive Shaft		
BNT2168	Clutch Pawl Spring	BNT3217	Idle Gear A	BNT3237	Wrench (accessory)

(160707)