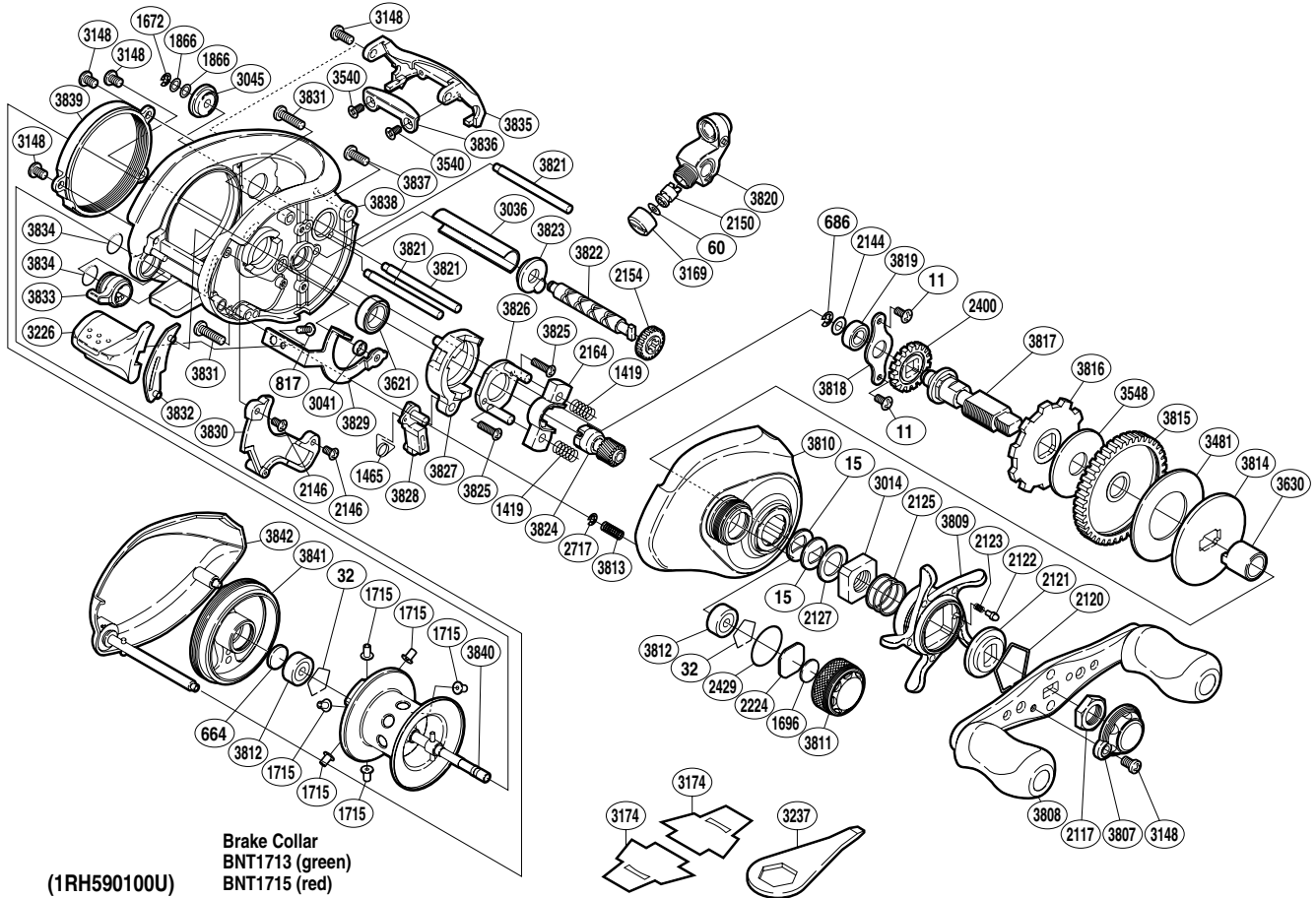


# SHIMANO

CORE S A-RB

COR-100MG



| Part No. | Description          | Part No. | Description                | Part No. | Description                      |
|----------|----------------------|----------|----------------------------|----------|----------------------------------|
| BNT0011  | Screw                | BNT2429  | O Ring                     | BNT3820  | Line Guide                       |
| BNT0015  | Drag Spring Washer   | BNT2717  | E Lock                     | BNT3821  | Level Wind Guide                 |
| BNT0032  | Bearing Retainer     | BNT3014  | Star Drag Nut              | BNT3822  | Worm Shaft                       |
| BNT0060  | Spacer               | BNT3036  | Level Wind Guard           | BNT3823  | Worm Bushing A                   |
| BNT0664  | Spacer B             | BNT3041  | Clutch Plate Shaft Support | BNT3824  | Pinion Gear                      |
| BNT0686  | E Lock               | BNT3045  | Worm Bushing B             | BNT3825  | Screw                            |
| BNT0817  | Screw                | BNT3148  | Screw                      | BNT3826  | Clutch Cam Retainer              |
| BNT1419  | Yoke Spring          | BNT3169  | Pawl Cap                   | BNT3827  | Clutch Cam                       |
| BNT1465  | Clutch Pawl Spring   | BNT3226  | Quick-Fire II Clutch Bar   | BNT3828  | Clutch Pawl                      |
| BNT1672  | E Lock               | BNT3481  | Drag Washer                | BNT3829  | Clutch Plate                     |
| BNT1696  | Cast Control Spacer  | BNT3540  | Screw                      | BNT3830  | Clutch Guard                     |
| BNT1715  | Brake Collar (red)   | BNT3548  | Drag Washer                | BNT3831  | Screw                            |
| BNT1866  | Spacer               | BNT3621  | Ball Bearing               | BNT3832  | Clutch Bar Guide B               |
| BNT2117  | Handle Nut           | BNT3630  | Roller Clutch Inner Tube   | BNT3833  | Side Plate Cam Lever             |
| BNT2120  | Click Plate Retainer | BNT3807  | Handle Nut Plate           | BNT3834  | O Ring                           |
| BNT2121  | Star Drag Click      | BNT3808  | Handle Assembly            | BNT3835  | Level Wind Protector             |
| BNT2122  | Click Pin            | BNT3809  | Star Drag                  | BNT3836  | Line Guard Retainer              |
| BNT2123  | Click Spring         | BNT3810  | Right Side Plate           | BNT3837  | Screw                            |
| BNT2125  | Star Drag Spring     | BNT3811  | Cast Control Cap           | BNT3838  | One-Piece Frame                  |
| BNT2127  | Star Drag Spacer     | BNT3812  | Ball Bearing               | BNT3839  | Side Frame Plate                 |
| BNT2144  | Washer               | BNT3813  | Damper Spring              | BNT3840  | Spool Assembly                   |
| BNT2146  | Screw                | BNT3814  | Key Washer                 | BNT3841  | Brake Case                       |
| BNT2150  | Line Guide Pawl      | BNT3815  | Drive Gear                 | BNT3842  | Left Side Plate                  |
| BNT2154  | Idle Gear            | BNT3816  | Anti-Reverse Ratchet       |          |                                  |
| BNT2164  | Yoke                 | BNT3817  | Drive Shaft                | BNT1713  | Brake Collar (green) (accessory) |
| BNT2224  | Spool Tension Spacer | BNT3818  | Drive Shaft Retainer       | BNT3174  | Reel Seat Spacer (accessory)     |
| BNT2400  | Idle Gear            | BNT3819  | Ball Bearing               | BNT3237  | Wrench (accessory)               |