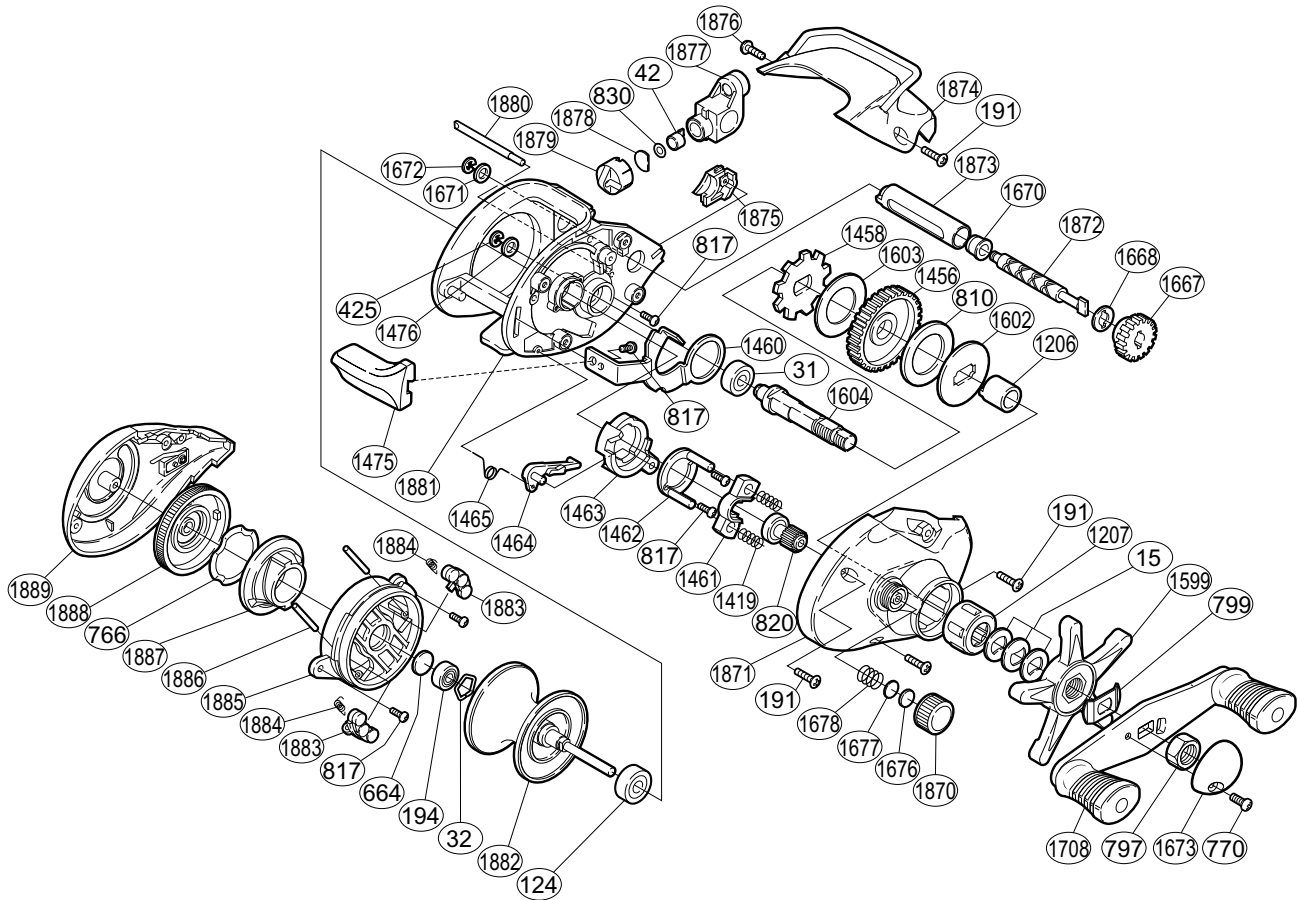


# SHIMANO®

## CORIOLIS®

CO-200D



Part No.	Description	Part No.	Description	Part No.	Description
BNT0015	Drag Spring Washer	BNT1460	Clutch Plate	BNT1870	Cast Control Cap
BNT0031	Ball Bearing	BNT1461	Yoke	BNT1871	Right Side Plate
BNT0032	Bearing Retainer	BNT1462	Clutch Cam Retainer	BNT1872	Worm Shaft
BNT0042	Line Guide Pawl	BNT1463	Clutch Cam	BNT1873	Level Wind Guard
BNT0124	Ball Bearing	BNT1464	Clutch Pawl	BNT1874	Thumb Rest
BNT0191	Multi-Purpose Screw	BNT1465	Clutch Pawl Spring	BNT1875	Drive Shaft Cover
BNT0194	Ball Bearing	BNT1475	Quick-Fire II Clutch Bar	BNT1876	Thumb Rest Screw
BNT0425	Drive Gear Retainer	BNT1476	Drive Shaft Washer (D)	BNT1877	Line Guide
BNT0664	Spacer (B)	BNT1599	Star Drag	BNT1878	Pawl Cap Spacer
BNT0766	Dial Friction Washer	BNT1602	Key Washer	BNT1879	Pawl Cap
BNT0770	Handle Nut Plate Screw	BNT1603	Drive Shaft Washer	BNT1880	Stabilizer Bar
BNT0797	Handle Nut	BNT1604	Drive Shaft	BNT1881	One-Piece Frame
BNT0799	Friction Washer	BNT1667	Worm Gear	BNT1882	Spool
BNT0810	Drag Washer	BNT1668	Worm Shaft Washer (A)	BNT1883	Magnet Retainer
BNT0817	Multi-Purpose Screw	BNT1670	Worm Bushing	BNT1884	Magnet Retainer Spring
BNT0820	Pinion Gear	BNT1671	Worm Shaft Washer (B)	BNT1885	Dial Case
BNT0830	Spacer (optional)	BNT1672	"E" Lock	BNT1886	Magnet Retainer Shaft
BNT1206	Roller Clutch Inner Tube	BNT1673	Handle Nut Plate	BNT1887	Brake Cam
BNT1207	Roller Clutch Bearing	BNT1676	Spool Tension Spacer (B)	BNT1888	Magnetic Control Dial
BNT1419	Yoke Spring	BNT1677	Spool Tension Spacer (A)	BNT1889	Left Side Plate
BNT1456	Drive Gear	BNT1678	Spool Tension Spring		
BNT1458	Anti-Reverse Ratchet	BNT1708	Handle Assembly		