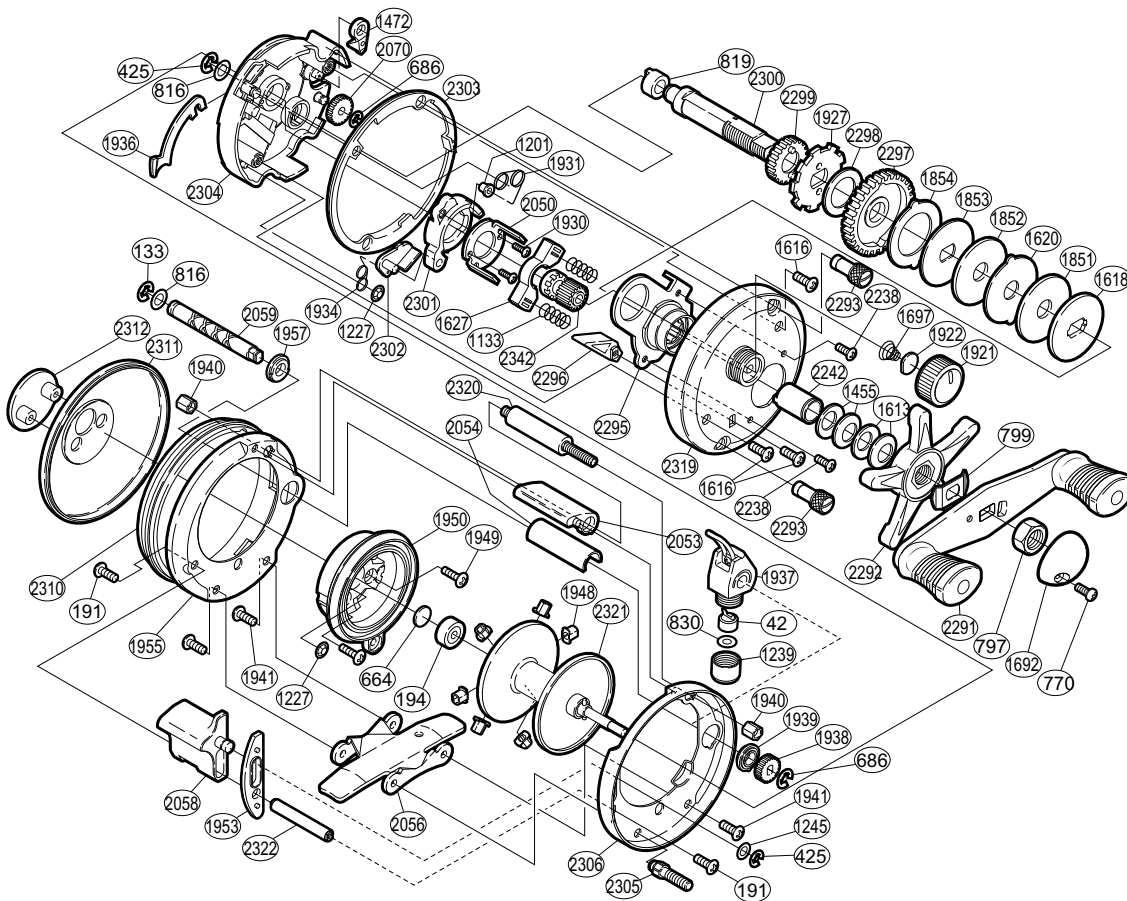


SHIMANO®

CORSAIR®

CS-200A



| Part No. | Description | Part No. | Description | Part No. | Description |
|----------|---------------------------|----------|--------------------------|----------|--------------------------|
| BNT0042 | Line Guide Pawl | BNT1851 | Drag Washer (C) | BNT2059 | Worm Shaft |
| BNT0133 | "E" Lock | BNT1852 | Drag Washer (B-2) | BNT2070 | Idle Gear (B) |
| BNT0191 | Clutch Bar Support Screw | BNT1853 | Key Washer (A) | BNT2238 | Bush Plate Screw |
| BNT0194 | Ball Bearing | BNT1854 | Eared Washer (B-1) | BNT2242 | Roller Clutch Inner Tube |
| BNT0425 | "E" Lock | BNT1921 | Cast Control Cap | BNT2291 | Handle Assembly |
| BNT0664 | Spacer B | BNT1922 | Cast Control Spacer | BNT2292 | Star Drag |
| BNT0686 | "E" Lock | BNT1927 | Anti-Reverse Ratchet | BNT2293 | Right Side Plate Nut |
| BNT0770 | Handle Nut Plate Screw | BNT1930 | Clutch Cam Screw | BNT2295 | Roller Clutch Assembly |
| BNT0797 | Handle Nut | BNT1931 | Retractor Spring | BNT2296 | Return Pin Guide |
| BNT0799 | Friction Washer | BNT1934 | Clutch Pawl Spring | BNT2297 | Drive Gear |
| BNT0816 | Shaft Washer | BNT1936 | Clutch Plate | BNT2298 | Drive Shaft Washer (B) |
| BNT0819 | Drive Shaft Bushing | BNT1937 | Line Guide Assembly | BNT2299 | Idle Gear (A) |
| BNT0830 | Spacer (optional) | BNT1938 | Idle Gear (C) | BNT2300 | Drive Shaft |
| BNT1133 | Yoke Spring | BNT1939 | Worm Bushing (A) | BNT2301 | Clutch Cam |
| BNT1201 | Retractor Spring Collar | BNT1940 | Frame Nut | BNT2302 | Clutch Pawl |
| BNT1227 | Push Nut (SPN-2) | BNT1941 | Stand Screw | BNT2303 | A-Side Seal |
| BNT1239 | Pawl Cap | BNT1948 | Brake Collar | BNT2304 | Set Plate |
| BNT1245 | Clutch Bar Support Spacer | BNT1949 | Left Side Plate Screw | BNT2305 | Stand Bolt |
| BNT1455 | Drag Spring Washer (H) | BNT1950 | Brake Case | BNT2306 | Right Side Frame |
| BNT1472 | Anti-Reverse Pawl | BNT1953 | Clutch Bar Guide | BNT2310 | B-Side Seal |
| BNT1613 | Drag Spring Washer (L) | BNT1955 | Left Side Frame | BNT2311 | Left Side Plate |
| BNT1616 | Right Side Plate Screw | BNT1957 | Worm Bushing (B) | BNT2312 | Left Side I.D. Plate |
| BNT1618 | Key Washer (C) | BNT2050 | Clutch Cam Retainer | BNT2319 | Right Side Plate |
| BNT1620 | Eared Washer | BNT2053 | Thumb Rest | BNT2320 | Frame Bar |
| BNT1627 | Yoke | BNT2054 | Level Wind Guard | BNT2321 | Spool Assembly |
| BNT1692 | Handle Nut Plate | BNT2056 | Stand | BNT2322 | Clutch Bar Support |
| BNT1697 | Spool Tension Spring | BNT2058 | Quick-Fire II Clutch Bar | 2342 | Pinion Gear |