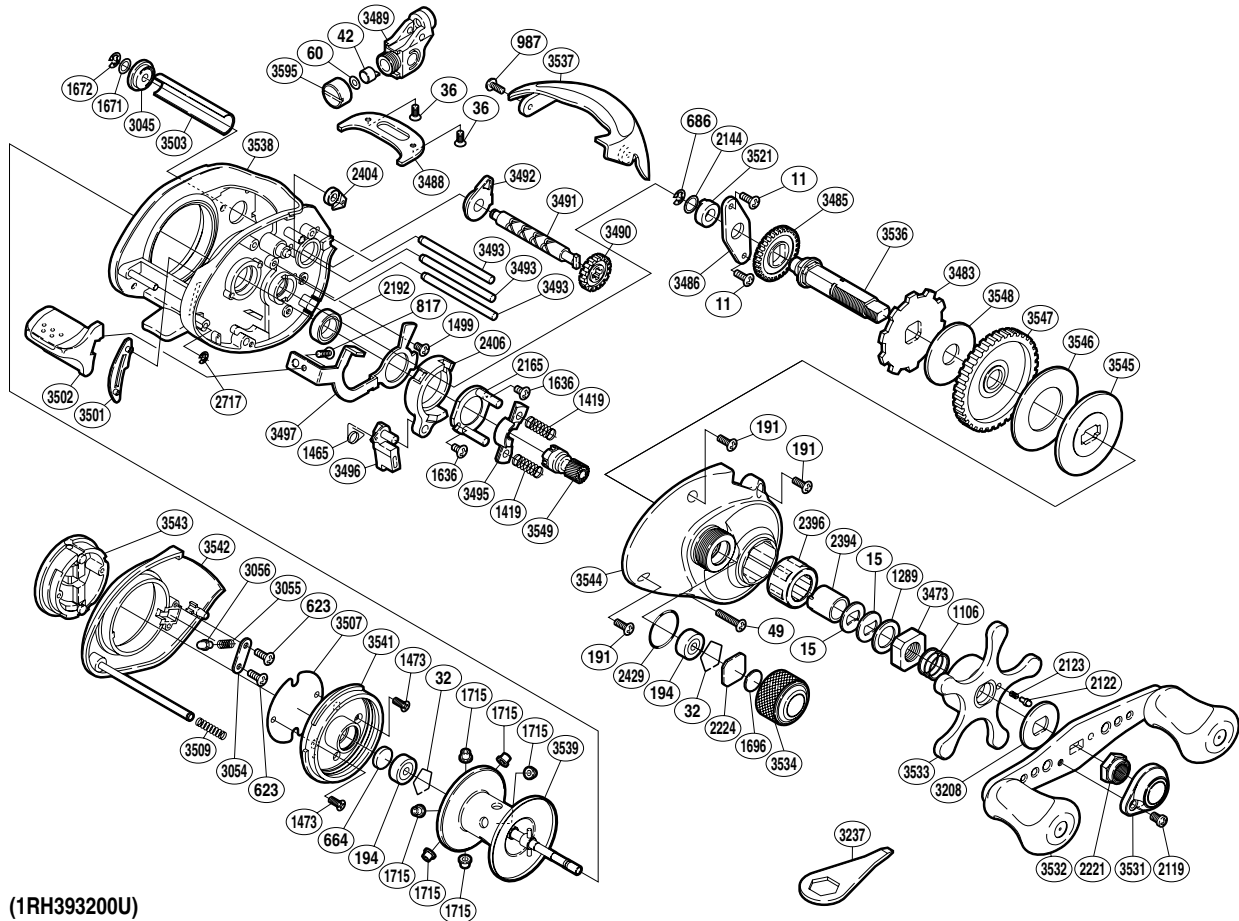


SHIMANO®

CURADO

CU-200DHSV



(1RH393200U)

Part No.	Description	Part No.	Description	Part No.	Description
BNT0011	Screw	BNT2144	Washer	BNT3497	Clutch Plate
BNT0015	Drag Spring Washer	BNT2165	Clutch Cam Retainer	BNT3501	Clutch Bar Guide
BNT0032	Bearing Retainer	BNT2192	Ball Bearing	BNT3502	Quick-Fire II Clutch Bar
BNT0036	Screw	BNT2221	Handle Nut	BNT3503	Level Wind Guard
BNT0042	Line Guide Pawl	BNT2224	Spool Tension Spacer	BNT3507	Brake Case Spacer
BNT0049	Screw	BNT2394	Roller Clutch Inner Tube	BNT3509	Side Plate Spring
BNT0060	Spacer	BNT2396	Roller Clutch Bearing	BNT3521	Drive Shaft Bushing
BNT0191	Screw	BNT2404	Anti-Reverse Pawl	BNT3531	Handle Nut Plate
BNT0194	Ball Bearing	BNT2406	Clutch Cam	BNT3532	Handle Assembly
BNT0623	Screw	BNT2429	O Ring	BNT3533	Star Drag
BNT0664	Spacer B	BNT2717	E Lock	BNT3534	Cast Control Cap
BNT0686	E Lock	BNT3045	Worm Bushing B	BNT3536	Drive Shaft
BNT0817	Screw	BNT3054	Click Pin Retainer	BNT3537	Thumb Rest
BNT0987	Screw	BNT3055	Click Spring	BNT3538	One-Piece Frame
BNT1106	Star Drag Spring	BNT3056	Click Pin	BNT3539	Spool Assembly
BNT1289	Star Drag Spacer	BNT3208	Star Drag Click Plate	BNT3541	Brake Case
BNT1419	Yoke Spring	BNT3473	Star Drag Nut	BNT3542	Left Side Plate
BNT1465	Clutch Pawl Spring	BNT3483	Anti-Reverse Ratchet	BNT3543	Turnkey Dial
BNT1473	Screw	BNT3485	Idle Gear A	BNT3544	Right Side Plate
BNT1499	Screw	BNT3486	Drive Shaft Retainer	BNT3545	Key Washer
BNT1636	Screw	BNT3488	Line Guard	BNT3546	Drag Washer
BNT1671	Washer	BNT3489	Line Guide	BNT3547	Drive Gear
BNT1672	E Lock	BNT3490	Idle Gear C	BNT3548	Drag Washer
BNT1696	Cast Control Spacer	BNT3491	Worm Shaft	BNT3549	Pinion Gear
BNT1715	Brake Collar (red)	BNT3492	Worm Bushing A	BNT3595	Pawl Cap
BNT2119	Screw	BNT3493	Stabilizer Bar		
BNT2122	Click Pin	BNT3495	Yoke		
BNT2123	Click Spring	BNT3496	Clutch Pawl	BNT3237	Wrench (accessory)