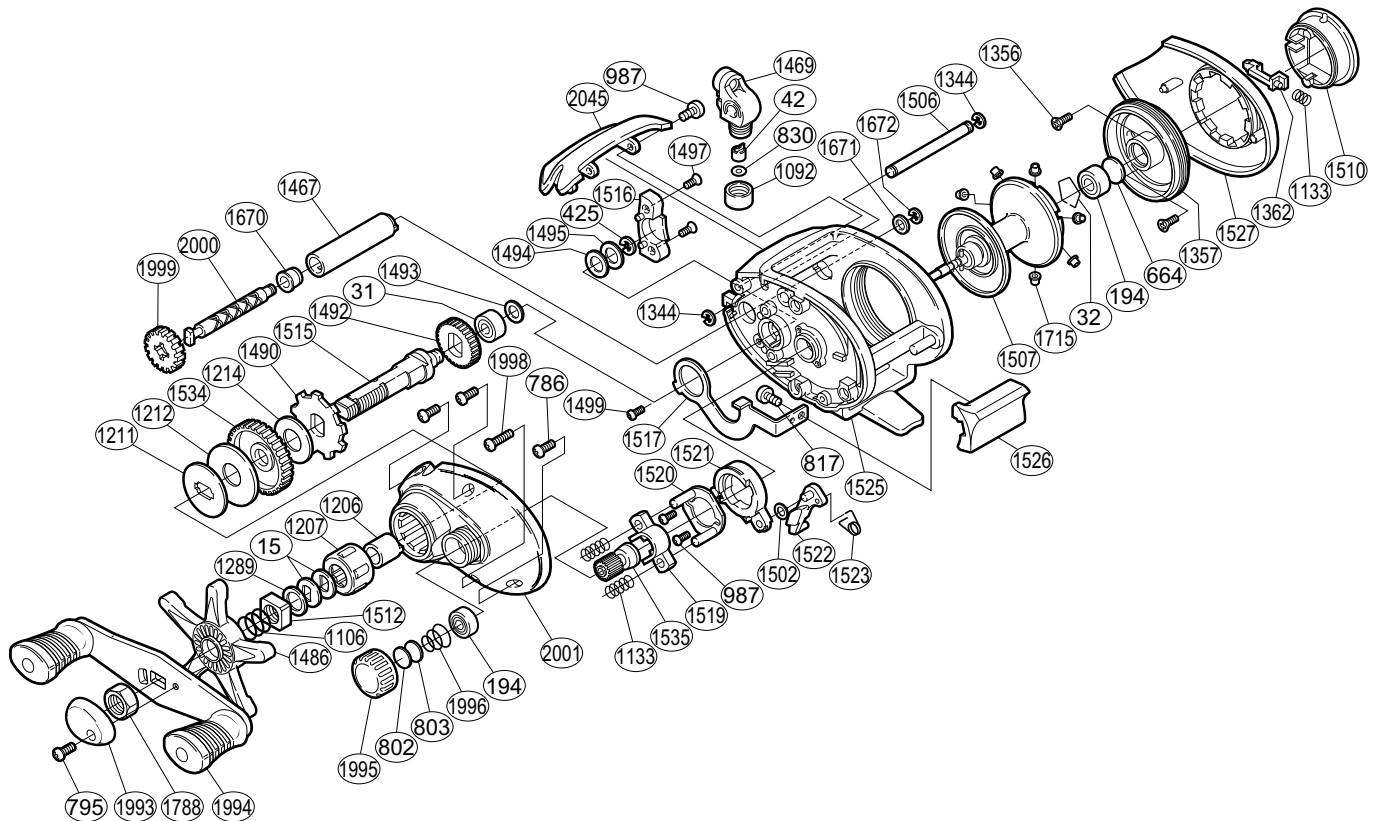


SHIMANO®

CURADO®

CU-201B5



Part No.	Description	Part No.	Description	Part No.	Description
BNT0015	Drag Spring Washer	BNT1344	"C" Lock	BNT1520	Clutch Cam Retainer
BNT0031	Ball Bearing	13BNT56	Brake Case Retainer Screw	BNT1521	Clutch Cam
BNT0032	Bearing Retainer	1357BNT	Brake Case	BNT1522	Clutch Pawl
BNT0042	Line Guide Pawl	BNT1362	Turnkey Pawl	BNT1523	Clutch Pawl Spring
BNT0194	Ball Bearing	BNT1467	Level Wind Guard	BNT1525	One-Piece Frame
BNT0425	"E" Lock	BNT1469	Line Guide	BNT1526	Quick-Fire II Clutch Bar
BNT0664	Spacer (B)	BNT1486	Star Drag	BNT1527	Right Side Plate
BNT0786	Side Plate Screw (short)	BNT1490	Anti-Reverse Ratchet	BNT1534	Drive Gear
BNT0795	Handle Nut Plate Screw	BNT1492	Idle Gear (A)	BNT1535	Pinion Gear
BNT0802	Spool Tension Spacer (B)	BNT1493	Drive Gear Washer	BNT1670	Worm Bushing
BNT0803	Spool Tension Spacer (A)	BNT1494	Drive Shaft Washer (B)	BNT1671	Worm Shaft Washer (B)
BNT0817	Clutch Bar Screw	BNT1495	Drive Shaft Washer (A)	BNT1672	"E" Lock
BNT0830	Spacer (optional)	BNT1497	Drive Shaft Cover Screw	BNT1715	Brake Collar (red)
BNT0987	Multi Purpose Screw	BNT1499	Clutch Plate Screw	BNT1788	Handle Nut
BNT1092	Pawl Cap	BNT1502	Spacer (optional)	BNT1993	Handle Nut Plate Assembly
BNT1106	Star Drag Spring	BNT1506	Line Guard	BNT1994	Handle Assembly
BNT1133	Yoke / Turnkey Pawl Spring	BNT1507	Spool Assembly	BNT1995	Cast Control Cap
BNT1206	Roller Clutch Inner Tube	BNT1510	Turnkey Dial	BNT1996	Spool Tension Spring
BNT1207	Roller Clutch Bearing	BNT1512	Star Drag Nut	BNT1998	Side Plate Screw (long)
BNT1211	Key Washer	BNT1515	Drive Shaft	BNT1999	Idle Gear (C)
BNT1212	Drag Washer (C)	BNT1516	Drive Shaft Cover	BNT2000	Worm Shaft
BNT1214	Drag Washer (A)	BNT1517	Clutch Plate	BNT2001	Left Side Plate
BNT1289	Star Drag Spacer	BNT1519	Yoke	BNT2045	Thumb Rest