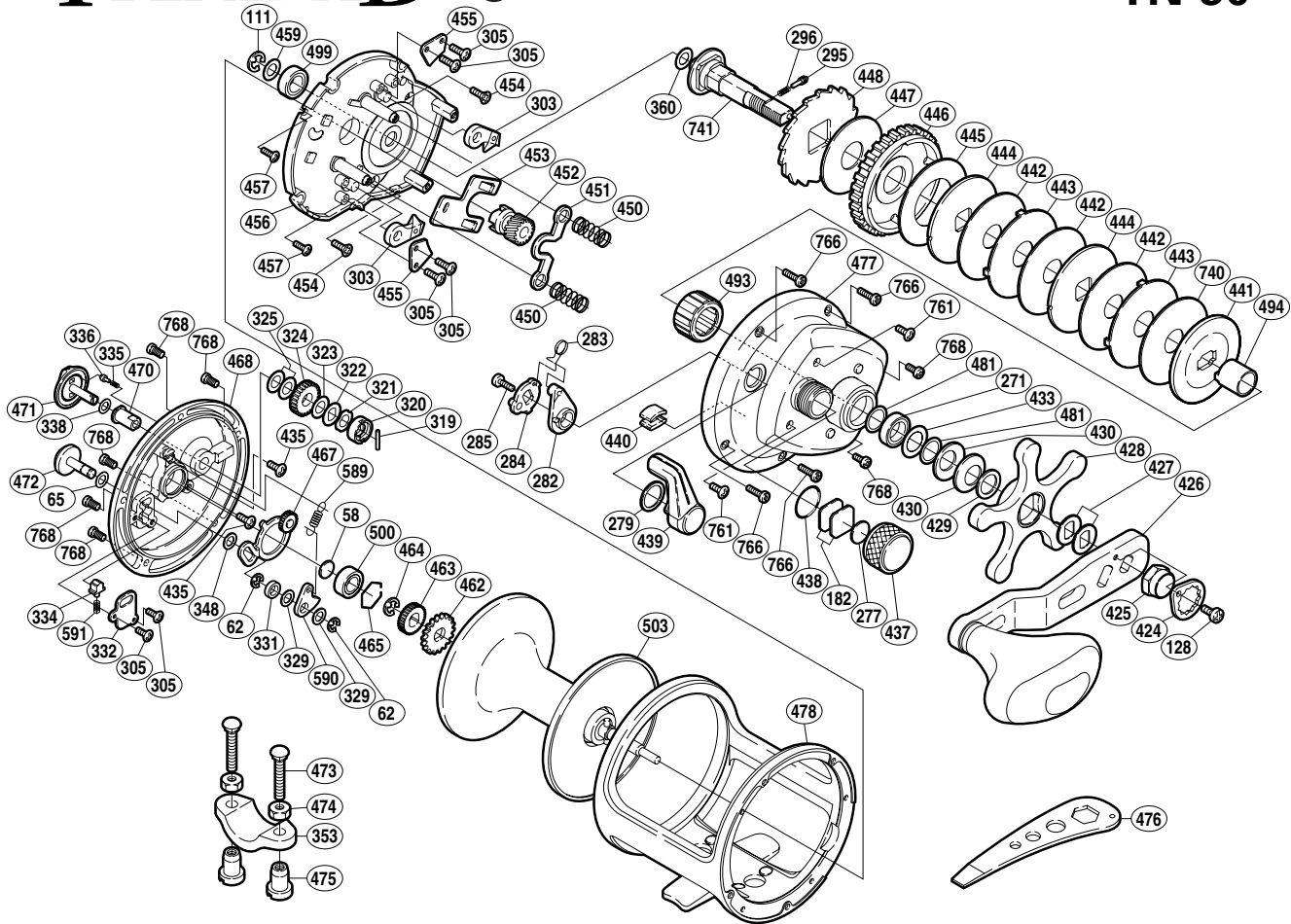


SHIMANO®

TRINIDAD ⚙️ A-RB

TN-50



| Part No. | Description | Part No. | Description | Part No. | Description |
|----------|-------------------------|----------|--------------------------|----------|-------------------------------|
| TGT0058 | Spacer "B" | TGT0424 | Handle Nut Plate | TGT0465 | Bearing Retainer |
| TGT0062 | Click Pawl Retainer | TGT0425 | Handle Nut | TGT0467 | "BR" Set Plate |
| TGT0065 | Spacer (A) | TGT0427 | Drive Shaft Shield | TGT0468 | Left Side Plate |
| TGT0111 | Drive Shaft Retainer | TGT0428 | Star Drag | TGT0470 | "BR" Bushing |
| TGT0128 | Handle Nut Plate Screw | TGT0429 | Star Drag Washer | TGT0471 | "BR" Dial |
| TGT0182 | Cast Control Spacer (A) | TGT0430 | Drag Spring Washer (10L) | TGT0472 | Click Button |
| TGT0277 | Cast Control Spacer (B) | TGT0433 | Bearing Seal | TGT0477 | Right Side Plate |
| TGT0279 | Smoother | TGT0435 | "BR" Set Plate Screw | TGT0478 | One-Piece Frame |
| TGT0282 | Eccentric Cam Bushing | TGT0437 | Cast Control Cap | TGT0481 | Bearing Thrust Washer |
| TGT0283 | Clutch Spring | TGT0438 | "O" Ring | TGT0486 | Ball Bearing |
| TGT0284 | Clutch Cam | TGT0439 | Clutch Lever | TGT0493 | Roller Clutch Bearing |
| TGT0285 | Clutch Lever Screw | TGT0440 | Line Clip | TGT0494 | Roller Clutch Inner Tube |
| TGT0295 | Click Pin | TGT0441 | Key Washer | TGT0499 | Ball Bearing |
| TGT0296 | Click Spring | TGT0442 | Drag Washer (D) | TGT0500 | Ball Bearing |
| TGT0303 | Anti-Reverse Pawl | TGT0443 | Eared Washer (E) | TGT0501 | Handle Assembly |
| TGT0305 | Multi-Purpose Screw | TGT0444 | Key Washer (C) | TGT0503 | Spool Assembly |
| TGT0319 | "BR" Cam Pin | TGT0445 | Drag Washer (B) | TGT0589 | Click Pawl Spring |
| TGT0320 | "BR" Cam | TGT0446 | Drive Gear | TGT0590 | Click Pawl |
| TGT0321 | "BR" Friction Washer | TGT0447 | Drag Washer (A) | TGT0591 | Click Spring |
| TGT0322 | "BR" Washer (C) | TGT0448 | Anti-Reverse Ratchet | TGT0740 | Drag Washer (F) |
| TGT0323 | "BR" Washer (A) | TGT0450 | Yoke Spring | TGT0741 | Drive Shaft |
| TGT0324 | "BR" Gear (C) | TGT0451 | Yoke | TGT0761 | Right Side Plate Screw (C) |
| TGT0325 | "BR" Washer (B) | TGT0452 | Pinion Gear | TGT0766 | Right Side Plate Screw (A) |
| TGT0329 | Spacer (B) | TGT0453 | Yoke Plate | TGT0768 | Side Plate Screw |
| TGT0331 | Click Pawl Spacer | TGT0454 | Set Plate Screw (B) | | |
| TGT0332 | Click Spring Retainer | TGT0455 | Anti-Reverse Pawl Keeper | | |
| TGT0334 | Click Spring Holder | TGT0456 | Set Plate | | |
| TGT0335 | "BR" Click Spring | TGT0457 | Set Plate Screw (A) | TGT0353 | Rod Clamp (accessory) |
| TGT0336 | "BR" Click Pin | TGT0459 | Drive Shaft Washer (A) | TGT0473 | Rod Clamp Bolt (accessory) |
| TGT0338 | "BR" Washer (D) | TGT0462 | Click Gear | TGT0474 | Rod Clamp Nut (B) (accessory) |
| TGT0348 | Spacer (C) | TGT0463 | "BR" Gear (A) | TGT0475 | Rod Clamp Nut (A) (accessory) |
| TGT0360 | Drive Shaft Washer (B) | TGT0464 | Click Gear Retainer | TGT0476 | Wrench (accessory) |