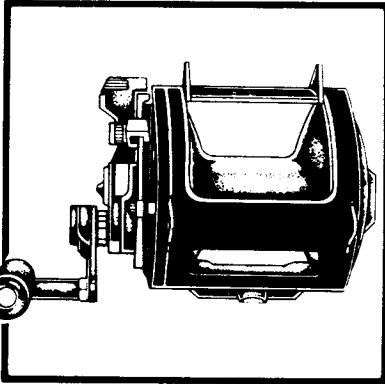


1989 Model



EXPLODED PARTS VIEW

TRITON *Beast Master*
80/130

PARTS LIST

PART #	DESCRIPTION
TT 0001	Handle Lock Screw
TT 0002A	Handle Bolt Plate
TT 0003A	Handle Bolt
TT 0004C	Handle Assembly
TT 0005A	Drive Shaft Shield
TT 0006A	Drive Shaft Washer
TT 0007B	Pre-Program Dial
TT 0008	Detent Spring
TT 0009	Detent Spring Washer
TT 0010A	Cover/Quadrant Screw
TT 0011A	Lever Hub Cover
TT 0013	"C" Lock
TT 0014A	Lever Thrust Ring A
TT 0015D	Drag Control Lever
TT 0016A	Lever Thrust Ring B
TT 0018A	Body "O" Seal
TT 0019A	Lever Hub Ratchet
TT 0020A	Quadrant Anchor Bolt
TT 0021	Bolt Shield
TT 0022B	Quadrant Support
TT 0023D	Lever Quadrant
TT 0024A	Cross Bar Bolt
TT 0025A	Side Plate Screw
TT 0026D	Side Plate
TT 0027	Strike Alert Lever
TT 0028	Alert Lever Retainer
TT 0029	Plunger Spring
TT 0030C	Alert Plunger
TT 0031B	Pre Program Key
TT 0032B	Pre Program Screw
TT 0033	Ball Bearing
TT 0034G	Drive Gear (A)
TT 0034H	Drive Gear (B)
TT 0035F	Pinion Gear (A)
TT 0035G	Pinion Gear (B)
TT 0036D	Cross Pin (A)
TT 0036E	Cross Pin (B)
TT 0037D	Main Shaft
TT 0040	Preload Spring H
TT 0041C	Inner Pre Load Washer
TT 0042	Bearing Thrust Washer
TT 0043B	Alert Ratchet
TT 0044D	Spool
TT 0045B	Pressure Plate Spring
TT 0050	Dog Spring
TT 0051	Dog Spring Screw
TT 0052	Spring Screw Washer
TT 0053A	Dog
TT 0054A	Backing Plate
TT 0055D	One Piece Frame
TT 0056A	Harness Lug
TT 0057D	Cross Bar
TT 0069	Alert Plunger Retainer
TT 0070A	Strike Alert Lever Seal
TT 0088	Lock Washer
TT 0089	Bolt Shield Bushing
TT 0090	Push Button Shield Screw
TT 0091	Push Button Shield
TT 0092	Handle Bolt Plate Screw
TT 0093	Slide Plate Spring
TT 0094	Slide Plate
TT 0095A	Push "Low" Button Shaft
TT 0096	"E" Lock
TT 0097	"C" Lock
TT 0102	Friction Washer (A)
TT 0103	Friction Washer (B)
TT 0104B	Drag Shaft
TT 0105	Gear Select Cross Bar
TT 0106	Cross Bar Stop
TT 0107	Drive Shaft Spring "B"
TT 0108	Drive Shaft Spring
TT 0109	Drive Shaft Screw
TT 0110	"E" Lock
TT 0111	Strike "Two" Slide
TT 0112	Strike "Two" Adjust Washer
TT 0113	Strike "Two" Adjust Slide
TT 0114A	Lever Shaft Body Washer
TT 0115B	Lever Shaft Body
TT 0116B	Pre-Program Key Pin
TT 0117A	Ball Bearing
TT 0118A	Bearing Retainer
TT 0119C	Drag Washer
TT 0120A	Pressure Seal "O" Ring
TT 0121C	Pressure Seal
TT 0122C	Drag Plate
TT 0123C	Pressure Plate
TT 0124C	Clutch Pad Plate
TT 0125C	Clutch Plate
TT 0126	Wrench
TT 0127	Rod Clamp Bolt (A)
TT 0127A	Rod Clamp Bolt (B)
TT 0128	Rod Clamp Nut (B)
TT 0129A	Rod Clamp
TT 0130	Rod Clamp Nut (A)
TT 0131A	Rod Brace Bolt
TT 0132B	Rod Brace Nut (B)
TT 0132C	Rod Brace Nut (C)
TT 0132D	Rod Brace Nut (D)
TT 0133A	Rod Brace