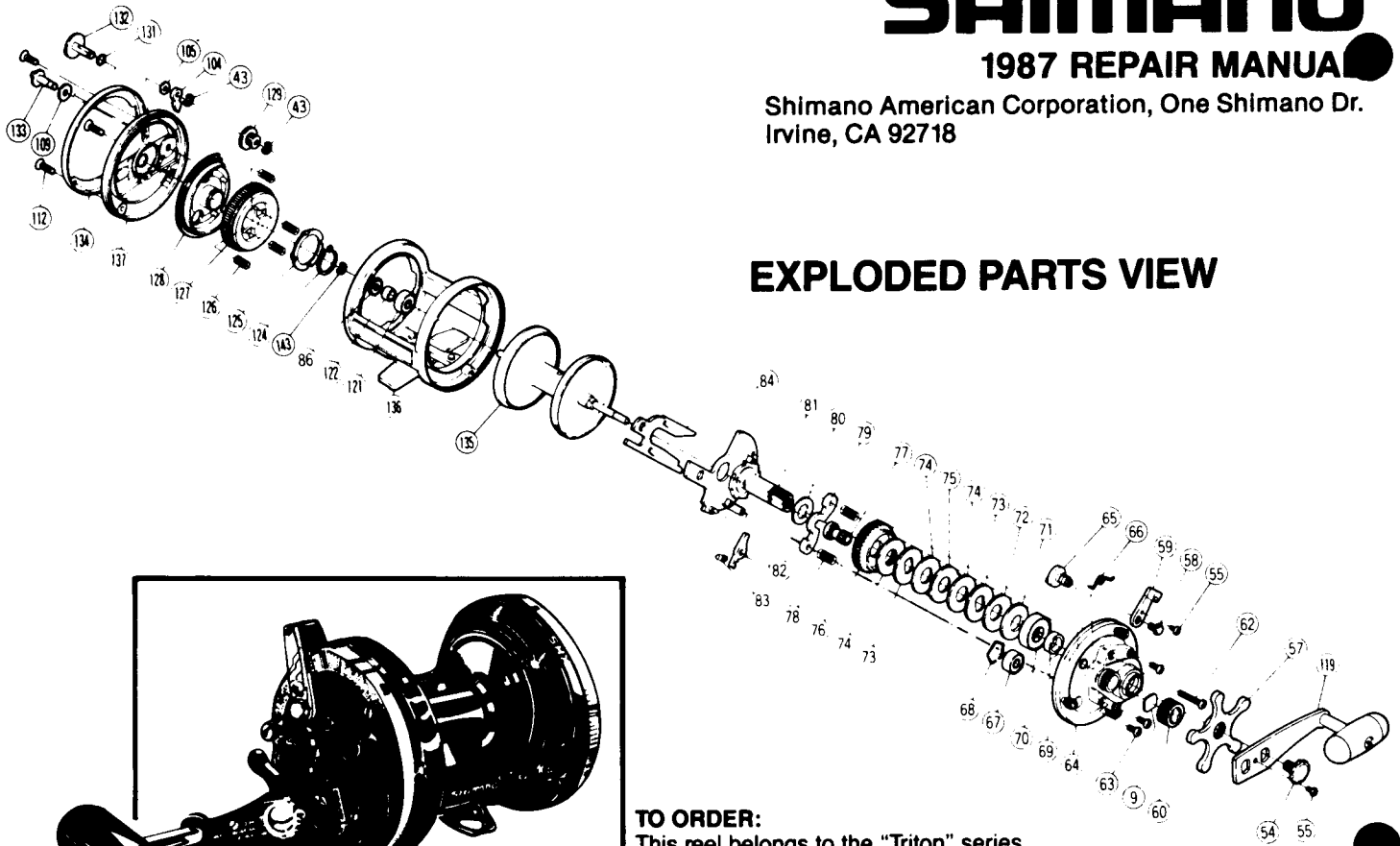


SHIMANO

1987 REPAIR MANUAL

Shimano American Corporation, One Shimano Dr.
Irvine, CA 92718



EXPLODED PARTS VIEW

TO ORDER:
This reel belongs to the "Triton" series.
Please order parts using the abbreviation
"TRN" and the part number.

TRITON[®] MAG MARK IV

PARTS LIST

PART# DESCRIPTION

- 9. Cast Control Spacer
- 43. "C" Lock A
- 54. Handle Bolt Lock Screw
- 57. Drag Star
- 58. Clutch Lever Screw
- 59. Clutch Lever
- 60. Cast Control Cap
- 62. Right Side Plate Screw
- 63. Set Plate Screw
- 64. Right Side Plate
- 65. Eccentric Cam
- 66. Eccentric Cam Spring
- 67. Right Spool Shaft Bearing
- 68. Right Bearing Lock
- 69. Drag Tube
- 70. Drag Bearing
- 71. Soft Spring Washer
- 72. Hard Spring Washer

PART# DESCRIPTION

- 73. Drag Disk
- 74. Drag Washer
- 75. Key Washer
- 76. Drive Gear
- 77. Pinion Gear
- 78. Pinion Yoke Spring
- 79. Pinion Yoke
- 80. Base Drag Washer
- 81. Set Plate
- 82. Anti Reverse Dog
- 83. Anti Reverse Dog Spring
- 84. Eccentric Jack
- 86. Click Gear
- 104. Click Pawl
- 105. Click Pawl Washer
- 109. Click Button Washer
- 112. Left Side Plate Screw
- 119. Handle

PART# DESCRIPTION

- 121. Left Spool Shaft Bearing
- 122. Left Spool Shaft Bearing
Spacer
- 124. Magnet Retainer Lock
- 125. Magnet Retainer Plate
- 126. Magnet Retainer Spring
- 127. Magnet Retainer
- 128. Magnet Retainer Case
- 129. Magnet Control Gear
- 131. O Ring
- 132. Magnet Control Dial
- 133. Click Button
- 134. Left Side Ring
- 135. Spool
- 136. Frame
- 137. Left Side Plate
- 143. Click Gear Lock
- SATRTNMAG4 - Complete Spool
Assy.

Prices and specifications subject to change without notice

JUNE 1986