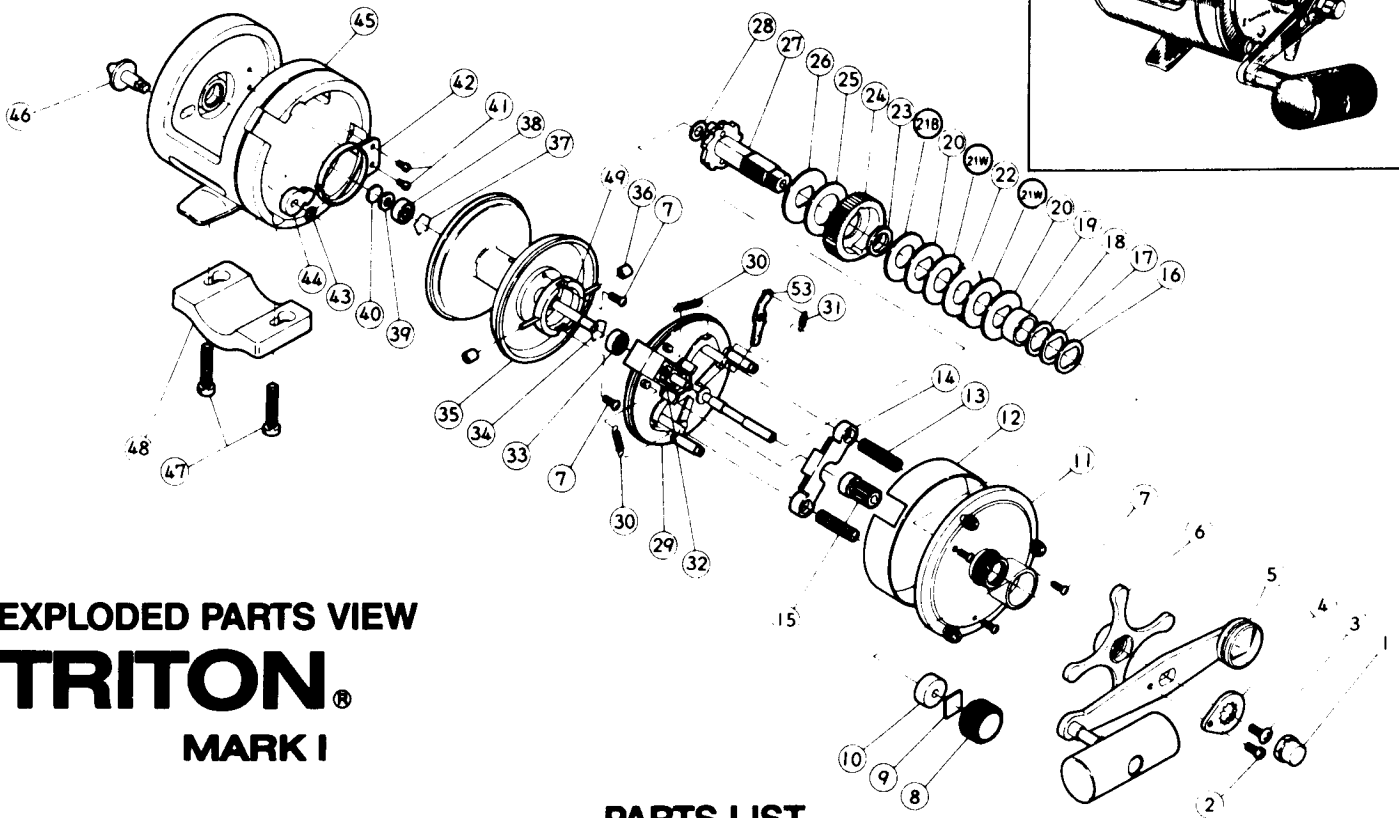
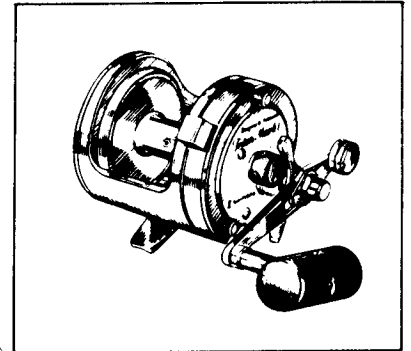


TO ORDER:

This reel belongs to the "Triton" series.
Please order parts using the abbreviation
"TRN" and the part number.



EXPLODED PARTS VIEW
TRITON®
MARK I

PARTS LIST

PART # DESCRIPTION

- 1. Handle Nut
- 2. Handle Nut Lock Screw
- 3. Drive Shaft Retainer Screw
- 4. Handle Nut Lock Plate
- 5. Handle
- 6. Drag Star
- 7. Right Side Plate Screw
- 8. Cast Control Cap
- 9. Cast Control Spacer
- 10. Cast Control Bushing
- 11. Side Plate
- 12. Gear Housing Ring
- 13. Pinion Yoke Spring
- 14. Pinion Yoke
- 15. Pinion Gear
- 16. Top Spacer

PART # DESCRIPTION

- 17. Spring Washer
- 18. Base Spacer
- 19. Drag Tube
- 20. Drag Disk
- 21B. Drag Washer (Black)
- 21W. Drag Washer (White)
- 22. Key Washer
- 23. Base Ring
- 24. Drive Gear
- 25. Base Drag Washer
- 26. Base Drag Disk
- 27. Drive Shaft
- 28. Drive Shaft Shim
- 29. Set Plate
- 30. Retractor Spring
- 31. A/R Dog Spring
- 32. Trigger Spring
- 33. Right Spool Shaft Bearing
- 34. Right Bearing Lock
- 35. Spool

PART # DESCRIPTION

- 36S. Centrifugal Brake Weights (Small)
- 36L. Centrifugal Brake Weights (Large)
- 37. Left Bearing Lock
- 38. Left Spool Shaft Bearing
- 39. Bearing Spacer
- 40. Friction Shim
- 41. Click Spring Screw
- 42. Click Spring
- 43. Click Pawl "C" Lock
- 44. Click Pawl
- 45. Frame
- 46. Click Button
- 47. Rod Clamp Screw
- 48. Rod Clamp
- 49. Centrifugal Brake Ring
- 53. Anti Reverse Dog