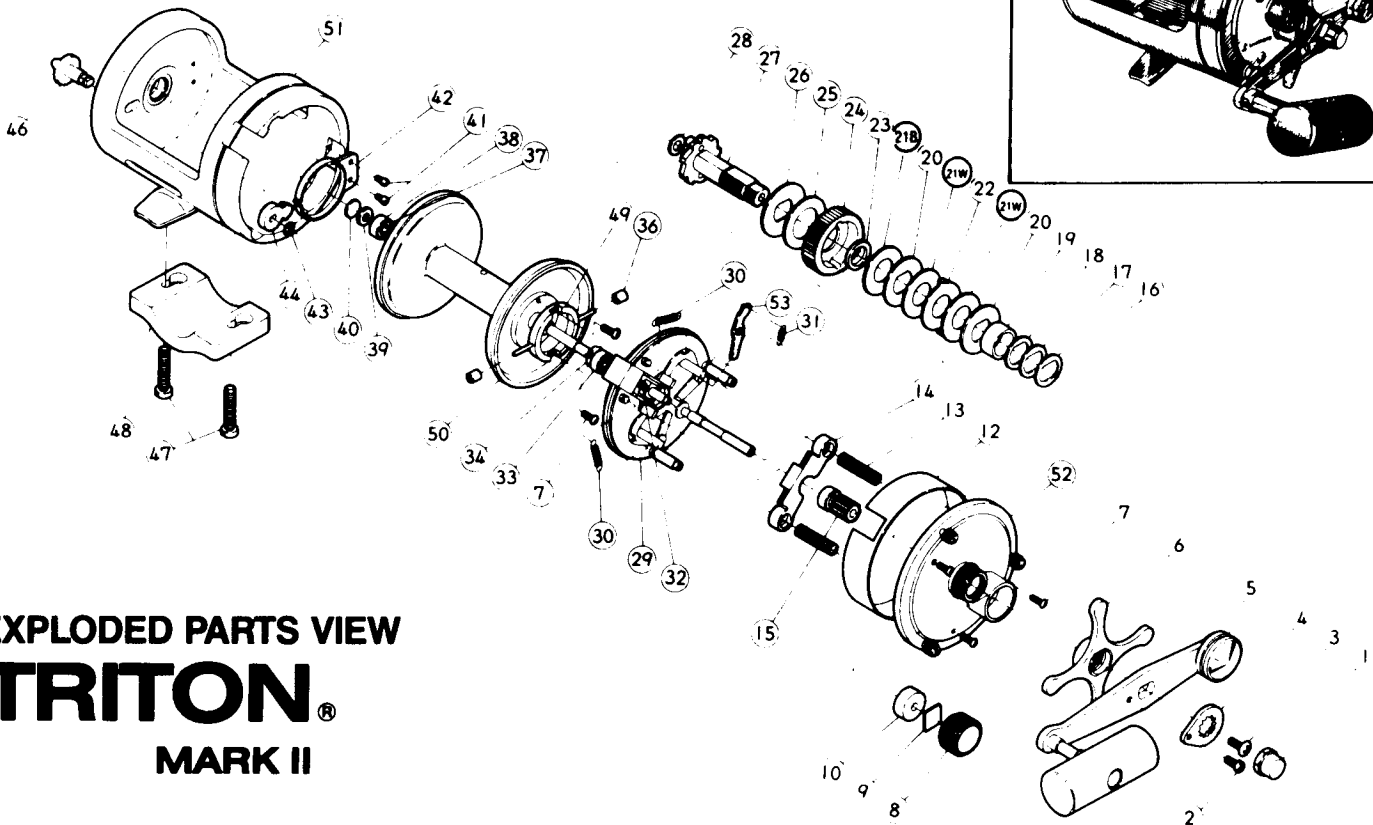
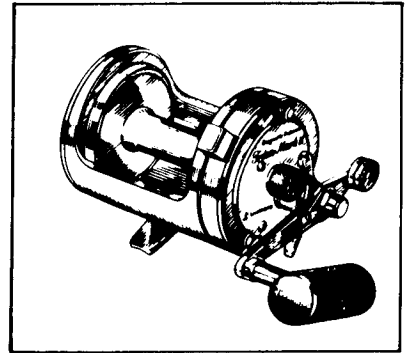


SHIMANO®

1987 REPAIR MANUAL

Shimano American Corporation, One Shimano Dr.
Irvine, CA 92718

TO ORDER:
This reel belongs to the "Triton" series.
Please order parts using the abbreviation
"TRN" and the part number.



EXPLODED PARTS VIEW **TRITON®** MARK II

PARTS LIST

PART #	DESCRIPTION	PART #	DESCRIPTION	PART #	DESCRIPTION
1.	Handle Nut	17.	Spring Washer	36S.	Centrifugal Brake Weights (Small)
2.	Handle Nut Lock Screw	18.	Base Spacer	36L.	Centrifugal Brake Weights (Large)
3.	Drive Shaft Retainer Screw	19.	Drag Tube	37.	Left Bearing Lock
4.	Handle Nut Lock Plate	20.	Drag Disk	38.	Left Spool Shaft Bearing
5.	Handle	21B.	Drag Washer (Black)	39.	Bearing Spacer
6.	Drag Star	21W.	Drag Washer (White)	40.	Friction Shim
7.	Right Side Plate Screw	22.	Key Washer	41.	Click Spring Screw
8.	Cast Control Cap	23.	Base Ring	42.	Click Spring
9.	Cast Control Spacer	24.	Drive Gear	43.	Click Pawl "C" Lock
10.	Cast Control Bushing	25.	Base Drag Washer	44.	Click Pawl
12.	Gear Housing Ring	26.	Base Drag Disk	46.	Click Button
13.	Pinion Yoke Spring	27.	Drive Shaft	47.	Rod Clamp Screw
14.	Pinion Yoke	28.	Drive Shaft Shim	48.	Rod Clamp
15.	Pinion Gear	29.	Set Plate	49.	Centrifugal Brake Ring
16.	Top Spacer	30.	Retractor Spring	50.	Spool
		31.	A/R Dog Spring	51.	Frame
		32.	Trigger Spring	52.	Side Plate
		33.	Right Spool Shaft Bearing	53.	Anti Reverse Dog
		34.	Right Bearing Lock		

Prices and specifications subject to change without notice.

JUNE 1986