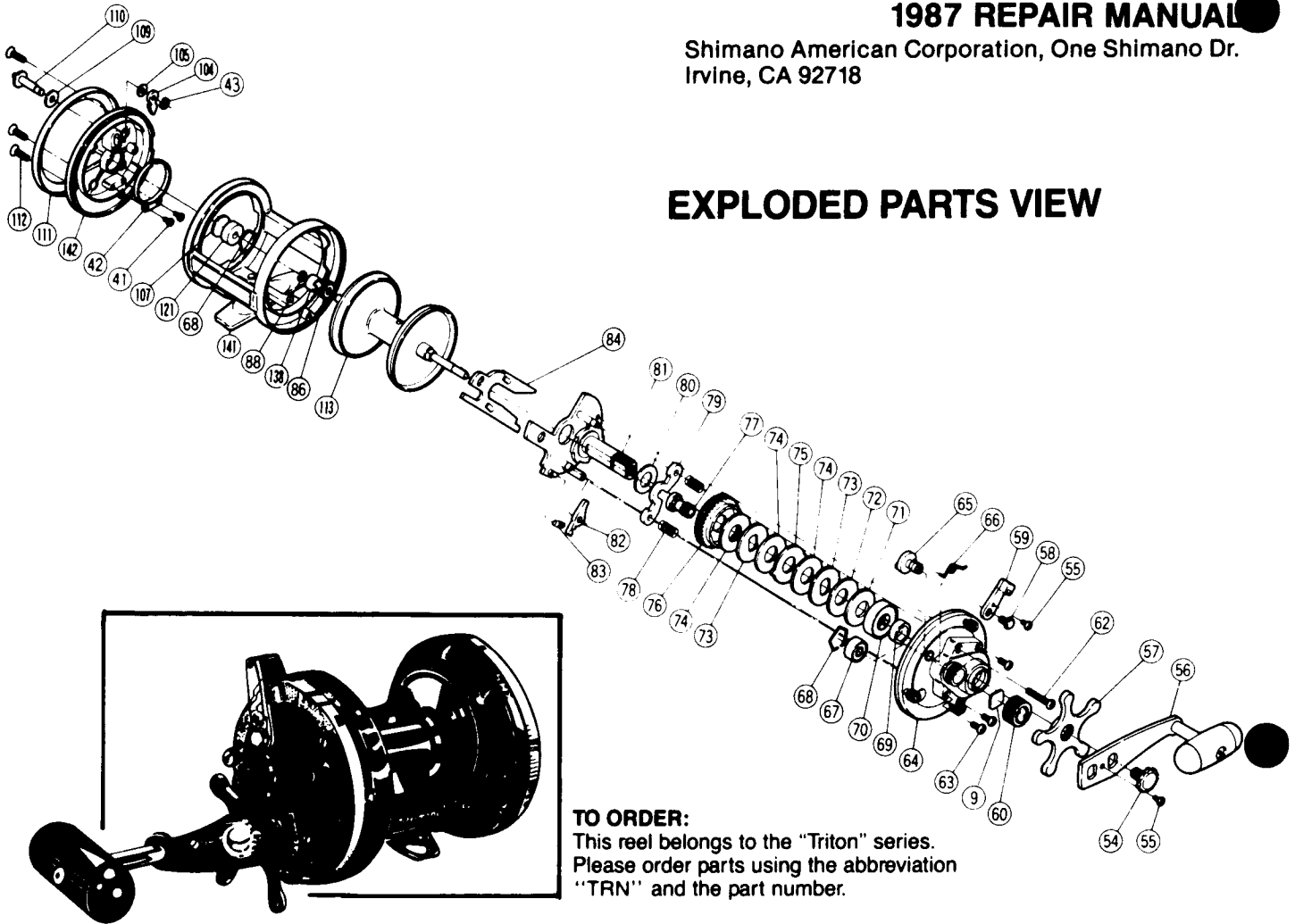


# SHIMANO®

## 1987 REPAIR MANUAL

Shimano American Corporation, One Shimano Dr.  
Irvine, CA 92718

### EXPLODED PARTS VIEW



**TO ORDER:**  
This reel belongs to the "Triton" series.  
Please order parts using the abbreviation  
"TRN" and the part number.

# TRITON® MARK IV S

## PARTS LIST

### PART# DESCRIPTION

- 9. Cast Control Spacer
- 41. Click Spring Screw
- 42. Click Spring
- 43. "C" Lock A
- 54. Handle Bolt
- 55. Handle Bolt Lock Screw
- 56. Handle
- 57. Drag Star
- 58. Clutch Lever Screw
- 59. Clutch Lever
- 60. Cast Control Cap
- 62. Right Side Plate Screw
- 63. Set Plate Screw
- 64. Right Side Plate
- 65. Eccentric Cam
- 66. Eccentric Cam Spring

### PART# DESCRIPTION

- 67. Right Spool Shaft Bearing
- 68. Right Bearing Lock
- 69. Drag Tube
- 70. Drag Bearing
- 71. Soft Spring Washer
- 72. Hard Spring Washer
- 73. Drag Disk
- 74. Drag Washer
- 75. Key Washer
- 76. Drive Gear
- 77. Pinion Gear
- 78. Pinion Yoke Spring
- 79. Pinion Yoke
- 80. Base Drag Washer
- 81. Set Plate
- 82. Anti Reverse Dog

### PART# DESCRIPTION

- 83. A/R Dog Spring
  - 84. Eccentric Jack
  - 86. Click Gear
  - 88. Spool Shaft Gear Lock
  - 104. Click Pawl
  - 105. Click Pawl Washer
  - 107. Friction Shim
  - 109. Click Button Washer
  - 110. Click Button
  - 111. Left Side Ring
  - 112. Left Side Plate Screw
  - 113. Spool
  - 121. Left Spool Shaft Bearing
  - 138. Spool Shaft Spacer
  - 141. Frame
  - 142. Left Side Plate
- SATRTRNM4S - Complete Spool Assy.