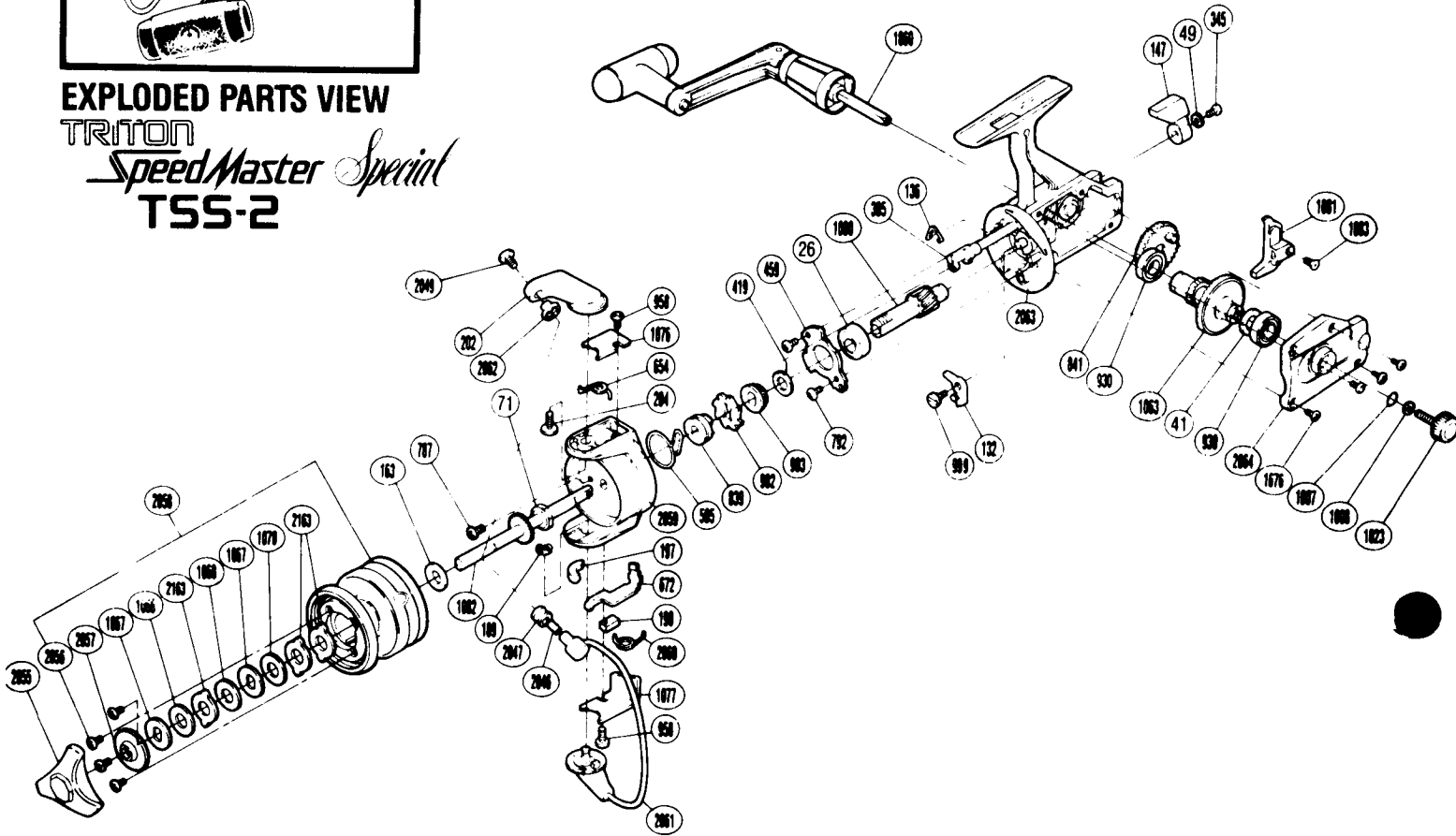
**EXPLODED PARTS VIEW**

TRITON
SpeedMaster Special
TSS-2

**PARTS LIST****PART # DESCRIPTION**

RD 0026	Ball Bearing
RD 0041	Drive Gear Washer
RD 0049	Lock Washer
RD 0071	Rotor Nut
RD 0132	Anti-Reverse Pawl Assembly
RD 0136	Anti-Reverse Cam Spring
RD 0147	Anti-Reverse Lever
RD 0163	Spool Washer
RD 0189	"E" Lock
RD 0197	Bail Trip Slide Cam
RD 0198	Trip Lever Guide
RD 0202	Bail Arm
RD 0204	Bail Arm Screw
RD 0345	Anti-Reverse Lever Screw
RD 0385	Anti-Reverse Cam
RD 0419	Bushing Washer (B)
RD 0459	Bearing Retainer
RD 0595	Anti-Reverse Pawl Spring
RD 0654	Bail Spring
RD 0672	Bail Trip Lever

PART # DESCRIPTION

RD 0787	Nut Lock Screw
RD 0792	Bearing Retainer Screw
RD 0839	Anti-Reverse Spring Holder
RD 0841	Oscillating Gear
RD 0902	Anti-Reverse Ratchet
RD 0903	Pinion Spacer
RD 0930	Ball Bearing
RD 0958	Bail Trip Cover Screw
RD 0999	Anti-Reverse Pawl Screw
RD 1007	Lock Washer Retainer
RD 1008	Handle Lock Washer
RD 1023	Handle Screw Cap
RD 1063	Drive Gear
RD 1067	Key Washer
RD 1068	Drag Washer 1
RD 1070	Drag Washer 2
RD 1076	Bail Spring Cover
RD 1077	Bail Trip Cover
RD 1080	Pinion Gear
RD 1081	Oscillating Slider

PART # DESCRIPTION

RD 1082	Main Shaft
RD 1083	Slider Retainer Screw
RD 1676	Side Cover Screw
RD 1860	Handle Assembly
RD 2046	Line Roller Bushing
RD 2047	Line Roller
RD 2049	Line Roller Screw
RD 2055	Drag Knob
RD 2056	Seal Plate Screw
RD 2057	Seal Plate
RD 2058	Spool Assembly
RD 2059	Rotor
RD 2060	Lever Spring
RD 2061	Bail Assembly
RD 2062	Line Roller Washer
RD 2063	Body
RD 2064	Side Cover
RD 2163	Eared Washer