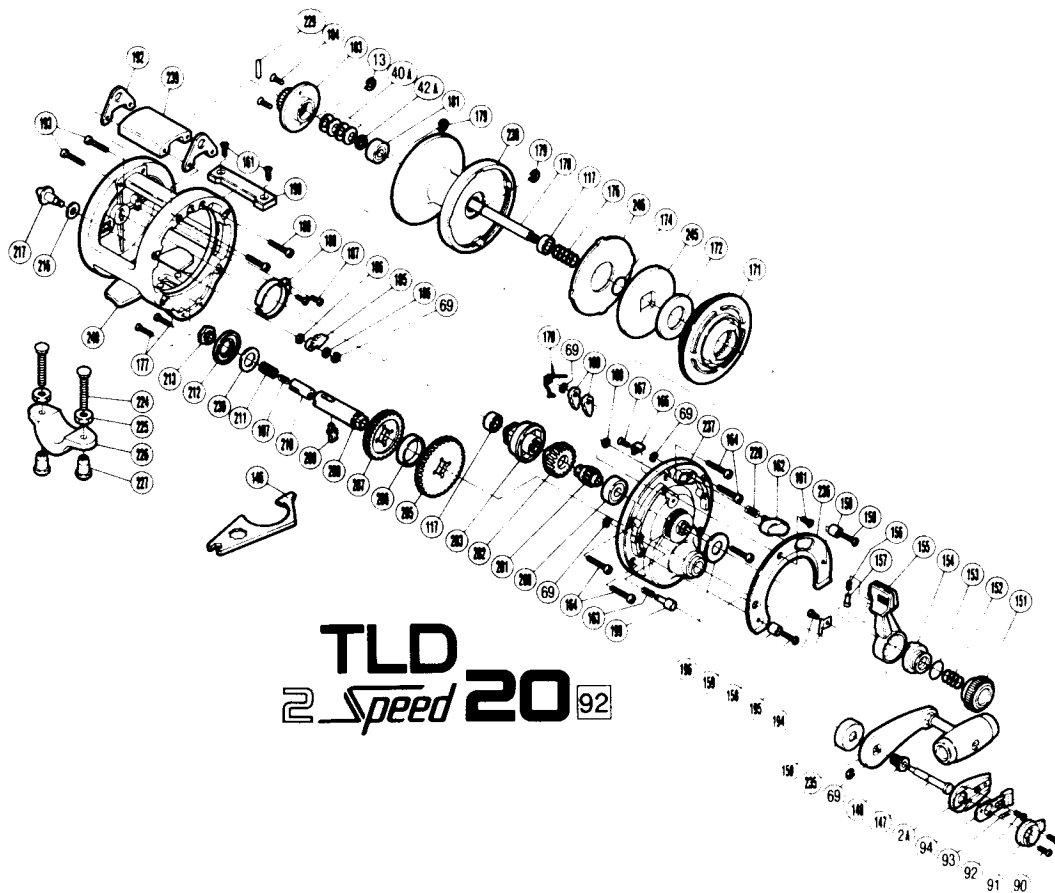


SHIMANO

1992 REPAIR MANUAL

Shimano American Corporation, One Shimano Dr.
Irvine, CA 92718



TLD
2 Speed 20 92

TT No.	PARTS NAMES	TT No.	PARTS NAMES	TT No.	PARTS NAMES
0002A	Handle Bolt Plate	0168	Dog Spring Retainer	0206	Friction Washer (C)
0013	"C" Lock	0169	Dog	0207	Drive Gear (B)
0040A	Pre-Load Spring B	0170	Dog Spring	0208	Drive Shaft
0042A	Bearing Thrust Washer	0171	Cooling Shield	0209	Gear Select Cross Bar
0069	"C" Lock	0172	Pre-Load Spring A	0210	Cross Bar Stop
0090	Push Button Shield Screw	0174	Seal Lock	0211	Drive Shaft Spring
0091	Push Button Shield	0176	Pressure Release Spring	0212	Friction Washer (A)
0092	Handle Bolt Plate Screw	0177	Side Plate Screw (B)	0213	Drive Shaft Screw
0093	Slide Plate Spring	0178	Main Shaft	0216	Click Button Washer
0094	Slide Plate	0179	"C" Lock	0217	Click Button
0107	Drive Shaft Spring "B"	0181	Ball Bearing	0228	Pressure Spring (C)
0117	Ball Bearing	0183	Click Gear	0229	Cross Pin
0147	Push "Low" Button Shaft	0184	Click Gear Screw	0230	Friction Washer (D)
0148	Handle Bolt	0185	Click Pawl	0235	Handle Assembly
0150	Drive Shaft Shield	0186	Click Pawl Washer	0236	Lever Quadrant
0151	Pre-Program Dial	0187	Click Spring Screw	0237	Side Plate
0152	Dial Spring	0188	Click Spring	0238	Spool
0153	Body "O" Seal	0189	Cross Bar Bolt (A)	0239	Cross Bar
0154	Lever Shaft Body	0190	Line Guard	0240	One Piece Frame
0155	Drag Control Lever (# 30)	0192	Harness Lug	0245	Drag Plate
0156	Friction Shoe Spring	0193	Cross Bar Bolt (B)	0246	Drag Washer
0157	Friction Shoe	0194	Lever Click Spring		
0158	Quadrant Anchor Bolt	0195	Click Spring Screw		
0159	Bolt Shield	0196	Lever Thrust Washer		
0161	Quadrant/Line Guard Screw	0199	Free Spool Detent	0146	Wrench
0162	Strike Stop	0200	Ball Bearing	0224	Rod Clamp Bolt
0163	Pressure Spring (B)	0201	Pinion Gear (A)	0225	Rod Clamp Nut (B)
0164	Side Plate Screw (A)	0202	Pinion Gear (B)	0226	Rod Clamp
0166	Guard against Dog	0203	Pinion Guard	0227	Rod Clamp Nut (A)
0167	Guard Screw	0205	Drive Gear (A)		

Prices and specifications subject to change without notice

(020903)