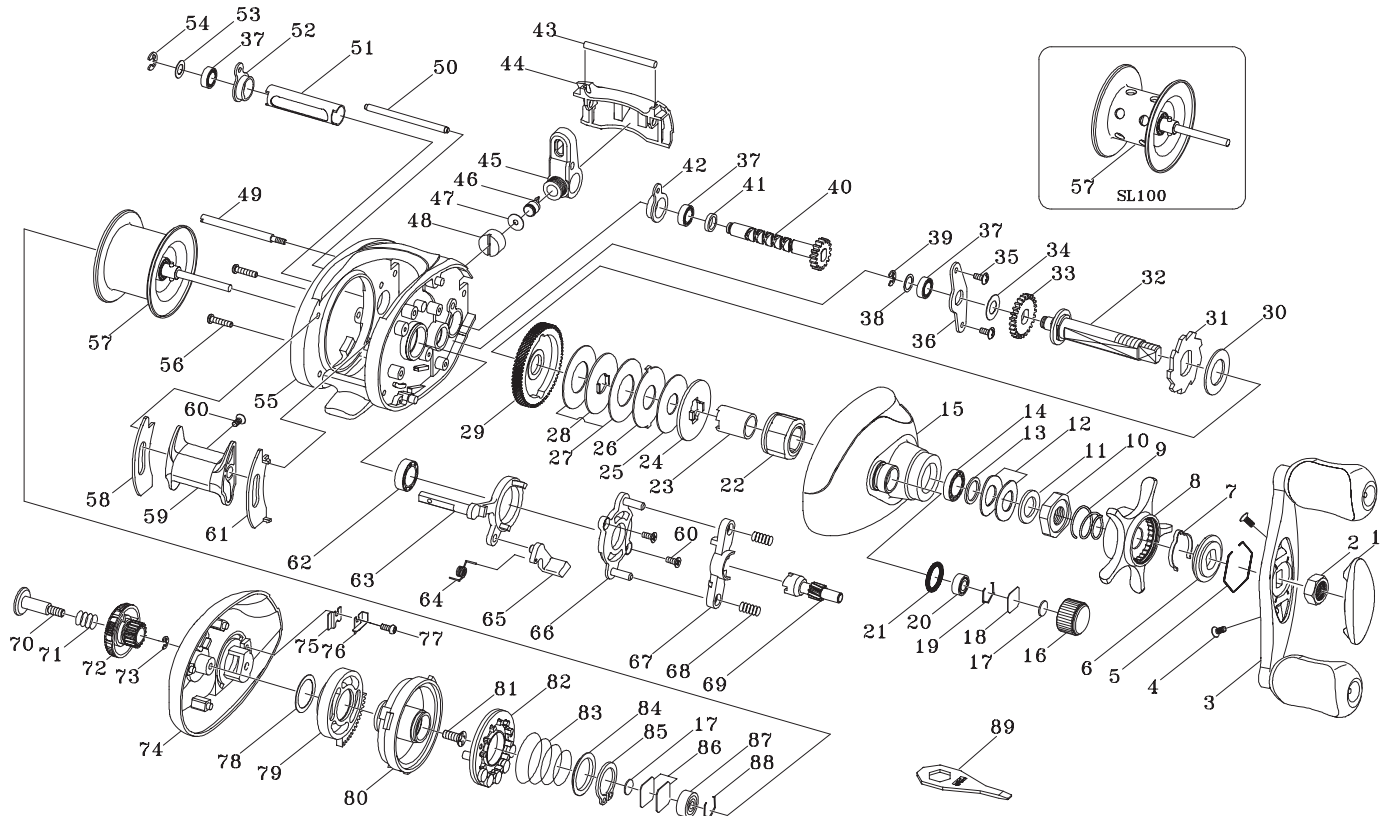


# BAIT CASTING REEL SCULPTOR SL100H / SL100

Please order by parts number, not key number  
Bitte, Best.-Nr. angeben (Nicht "key" -nr.)  
Veuillez indiquer le numero de la piece (Non "key" no.)



Key NO.	Parts No.	Parts name	Key NO.	Parts No.	Parts name
1	2F5-097-01	HANDLE NUT CAP	49	2E0-015-01	FRONT COVER SCREW
2	2E3-016-01	NUT	50	2P4-007-01	OSCILLATING SLIDER PIN
3	2YH-079-02	HANDLE ASSEMBLY	51	2C4-009-01	LEVEL WIND GUARD
4	2E2-030-01	F20M-050 SCREW	52	2C2-060-01	WORM SHAFT BUSH B
5	2E4-018-01	RETAINER	53	2W1-079-01	040-070 WASHER
6	2F8-050-01	CLICK LEAF SPRING HOLDER	54	2E5-013-01	E3.0 RETAINER
7	2L3-029-01	STAR DRAG CLICK LEAF SPRING	55	2YB-112-01	BODY ASSEMBLY
8	2D4-008-02	STAR DRAG LEVER	56	2E2-027-01	A20M-140 SCREW
9	2Q1-052-01	STAR DRAG SPRING	57	2YT-173-01	SPOOL ASSEMBLY
10	2E3-029-01	STAR DRAG NUT	58	2C4-018-01	CASTING BAR GUIDE B
11	2W1-020-01	081-130 WASHER	59	2YF-044-01	CASTING BAR ASSEMBLY
12	2L1-004-01	SPRING WASHER	60	2E2-068-01	F20M-065 SCREW
13	2W1-035-05	080-105 WASHER	61	2C4-017-01	CASTING BAR GUIDE A
14	2Z1-024-01	812-2.5 BALL BEARING	62	2Z1-010-01	812-3.5 BALL BEARING
15	2YF-041-01	RIGHT SIDE COVER	63	2A2-044-01	CLUTCH CAM
16	2E3-024-01	CAST CONTROL NUT	64	2Q3-063-01	CLUTCH PAWL SPRING
17	2W5-026-01	SPACER	65	2A4-036-01	CLUTCH PAWL
18	2W5-029-01	CAST CONTROL SPACER	66	2F8-042-01	CLUTCH CAM RETAINER
19	2E4-019-01	BEARING RETAINER	67	2A2-043-01	PINION YOKE
20	2Z1-029-01	408-3 BALL BEARING	68	2Q1-031-01	YOKE SPRING
21	2E9-005-01	O RING	69	2G2-047-01	PINION GEAR
22	2YZ-007-01	ONE-WAY CLUTCH BEARING ASSEMBLY	70	2E0-014-01	MAGNETIC CONTROL KNOB SCREW
23	2A4-022-01	ONE-WAY CLUTCH INNER TUBE	71	2Q1-054-01	SET PLATE SPRING
24	2W2-018-01	KEY WASHER	72	2D1-039-01	BRAKE ADJUSTING KNOB
25	2W1-064-01	082-230 WASHER	73	2E5-025-01	E2.0 RETAINER
26	2W3-009-01	EARED WASHER	74	2F5-115-01	LEFT SIDE COVER
27	2W1-065-01	125-250 WASHER	75	2F6-035-01	MAGNETIC CONTROL KNOB RETAINER
28	2W2-017-01	KEY WASHER	76	2F4-013-01	CLICK PLATE
29	2G1-031-01	DRIVE GEAR	77	2E2-022-01	B20M-030 SCREW
30	2W1-083-01	103-200 WASHER	78	2W1-119-00	091-150 WASHER
31	2A3-021-01	RATCHET	79	2F2-021-01	MAGNETISM SET PLATE
32	2M3-051-01	DRIVE SHAFT	80	2F8-041-01	MAGNETIC CONTROL
33	2G3-027-01	IDLE GEAR	81	2E2-011-01	F30M-080 SCREW
34	2W1-075-01	051-100 WASHER	82	2YF-043-01	MAGNET RETAINER ASSEMBLY
35	2E2-044-01	A20M-050 SCREW	83	2Q1-055-01	MAGNET RETAINER SPRING
36	2F6-036-01	DRIVE SHAFT RETAINER	84	2C1-061-01	COLLAR
37	2Z1-001-01	508-2.5 BALL BEARING	85	2E5-024-01	C12 RETAINER
38	2W1-124-01	045-065 WASHER	86	2W5-015-01	CAST CONTROL SPACER
39	2E5-006-01	E2.5 RETAINER	87	2Z1-015-02	310-4 BALL BEARING
40	2YM-026-01	WORM SHAFT ASSEMBLY	88	2E4-011-01	BEARING RETAINER
41	2C1-055-01	SPACER	89	2X3-004-01	WRECH
42	2C2-059-01	WORM SHAFT BUSH A	<b>SL100</b>	<b>SPECIAL PARTS</b>	
43	2P4-009-01	OSCILLATING SLIDER PIN	15	2YF-041-02	RIGHT SIDE COVER
44	2F5-113-01	BODY FRONT COVER	29	2G1-035-01	DRIVE GEAR
45	2YR-039-01	LINE GUIDE ASSEMBLY	57	2YT-172-01	SPOOL ASSEMBLY
46	2M5-006-01	LINE GUIDE PIN	69	2G2-048-01	PINION GEAR
47	2W1-100-01	020-068 WASHER	74	2F5-115-02	LEFT SIDE COVER
48	2E3-028-01	LINE GUIDE NUT			