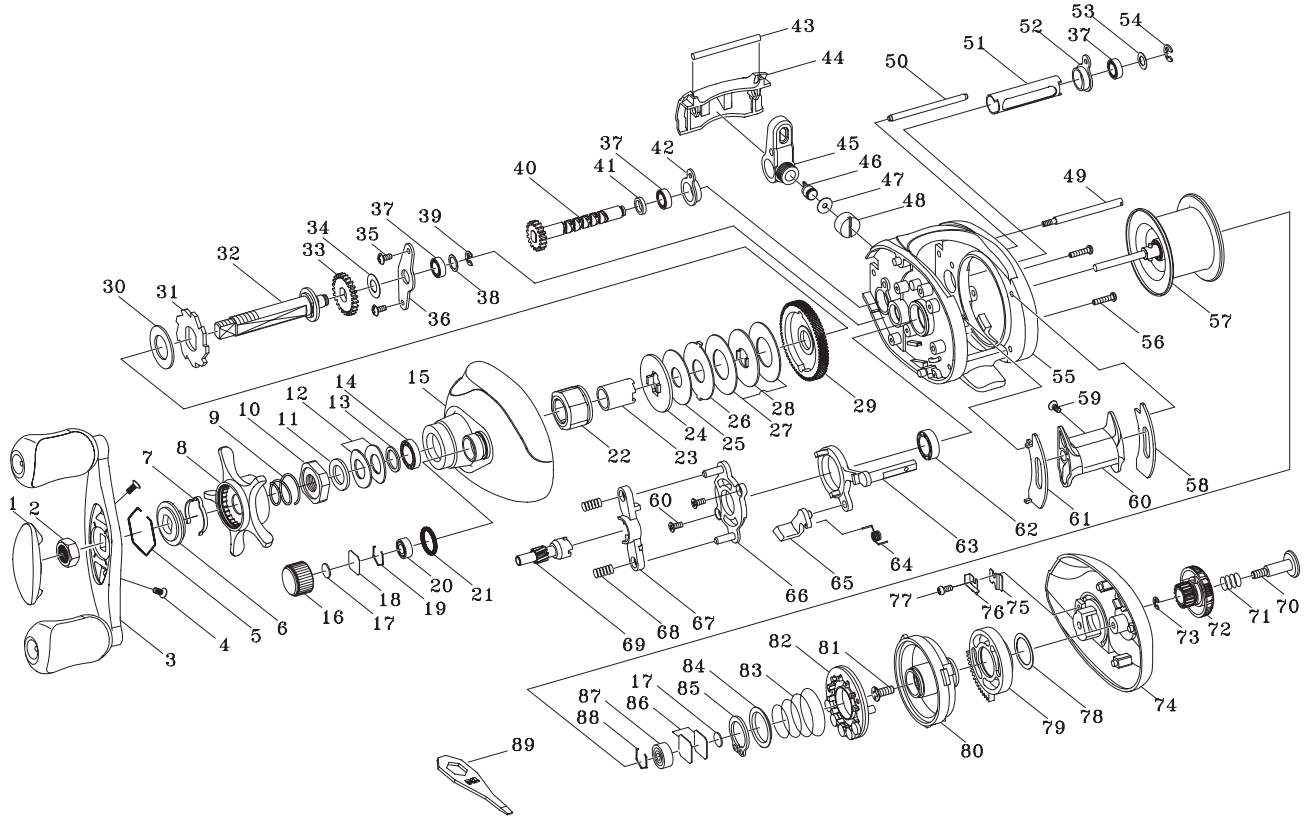


BAIT CASTING REEL SCULPTOR SL101H / SL101

Please order by parts number, not key number
Bitte, Best.-Nr. angeben (Nicht "key" -nr.)
Veuillez indiquer le numero de la piece (Non "key" no.)



| Key NO. | Parts No. | Parts name | Key NO. | Parts No. | Parts name |
|---------|------------|---------------------------------|----------------------------|------------|--------------------------------|
| 1 | 2F5-097-01 | HANDLE NUT CAP | 49 | 2E0-015-01 | FRONT COVER SCREW |
| 2 | 2E3-016-02 | NUT | 50 | 2P4-007-01 | OSCILLATING SLIDER PIN |
| 3 | 2YH-079-02 | HANDLE ASSEMBLY | 51 | 2C4-009-01 | LEVEL WIND GUARD |
| 4 | 2E2-030-01 | F20M-050 SCREW | 52 | 2C2-060-01 | WORM SHAFT BUSH B |
| 5 | 2E4-018-01 | RETAINER | 53 | 2W1-079-01 | 040-070 WASHER |
| 6 | 2F8-050-01 | CLICK LEAF SPRING HOLDER | 54 | 2E5-013-01 | E3.0 RETAINER |
| 7 | 2L3-029-01 | STAR DRAG CLICK LEAF SPRING | 55 | 2YB-113-01 | BODY ASSEMBLY |
| 8 | 2D4-008-02 | STAR DRAG LEVER | 56 | 2E2-027-01 | A20M-140 SCREW |
| 9 | 2Q1-052-01 | STAR DRAG SPRING | 57 | 2YT-173-01 | SPOOL ASSEMBLY |
| 10 | 2E3-029-02 | STAR DRAG NUT | 58 | 2C4-018-01 | CASTING BAR GUIDE B |
| 11 | 2W1-020-01 | 081-130 WASHER | 59 | 2YF-044-01 | CASTING BAR ASSEMBLY |
| 12 | 2L1-004-01 | SPRING WASHER | 60 | 2E2-068-01 | F20M-065 SCREW |
| 13 | 2W1-035-05 | 080-105 WASHER | 61 | 2C4-017-01 | CASTING BAR GUIDE A |
| 14 | 2Z1-024-01 | 812-2.5 BALL BEARING | 62 | 2Z1-010-01 | 812-3.5 BALL BEARING |
| 15 | 2F5-145-01 | LEFT SIDE COVER | 63 | 2A2-053-01 | CLUTCH CAM |
| 16 | 2E3-024-01 | CAST CONTROL NUT | 64 | 2Q3-082-01 | CLUTCH PAWL SPRING |
| 17 | 2W5-026-01 | SPACER | 65 | 2A4-041-01 | CLUTCH PAWL |
| 18 | 2W5-029-01 | CAST CONTROL SPACER | 66 | 2F8-051-01 | CLUTCH CAM RETAINER |
| 19 | 2E4-019-01 | BEARING RETAINER | 67 | 2A2-054-01 | PINION YOKE |
| 20 | 2Z1-029-01 | 408-3 BALL BEARING | 68 | 2Q1-031-01 | YOKE SPRING |
| 21 | 2E9-005-01 | O RING | 69 | 2G2-055-01 | PINION GEAR |
| 22 | 2YZ-007-01 | ONE-WAY CLUTCH BEARING ASSEMBLY | 70 | 2E0-014-01 | MAGNETIC CONTROL KNOB SCREW |
| 23 | 2A4-022-01 | ONE-WAY CLUTCH INNER TUBE | 71 | 2Q1-054-01 | SET PLATE SPRING |
| 24 | 2W2-018-01 | KEY WASHER | 72 | 2D1-039-01 | BRAKE ADJUSTING KNOB |
| 25 | 2W1-064-01 | 082-230 WASHER | 73 | 2E5-025-01 | E2.0 RETAINER |
| 26 | 2W3-009-01 | EARED WASHER | 74 | 2F5-146-01 | RIGHT SIDE COVER |
| 27 | 2W1-065-01 | 125-250 WASHER | 75 | 2F6-035-01 | MAGNETIC CONTROL KNOB RETAINER |
| 28 | 2W2-017-01 | KEY WASHER | 76 | 2F4-015-01 | CLICK PLATE |
| 29 | 2G1-043-01 | DRIVE GEAR | 77 | 2E2-022-01 | B20M-030 SCREW |
| 30 | 2W1-083-01 | 103-200 WASHER | 78 | 2W1-119-00 | 091-150 WASHER |
| 31 | 2A3-021-01 | RATCHET | 79 | 2F2-032-01 | MAGNETISM SET PLATE |
| 32 | 2M3-051-02 | DRIVE SHAFT | 80 | 2F8-041-01 | MAGNETIC CONTROL |
| 33 | 2G3-027-01 | IDLE GEAR | 81 | 2E2-011-01 | F30M-080 SCREW |
| 34 | 2W1-075-01 | 051-100 WASHER | 82 | 2YF-043-01 | MAGNET RETAINER ASSEMBLY |
| 35 | 2E2-044-01 | A20M-050 SCREW | 83 | 2Q1-055-01 | MAGNET RETAINER SPRING |
| 36 | 2F6-036-01 | DRIVE SHAFT RETAINER | 84 | 2C1-061-01 | COLLAR |
| 37 | 2Z1-001-01 | 508-2.5 BALL BEARING | 85 | 2E5-024-01 | C12 RETAINER |
| 38 | 2W1-124-01 | 045-065 WASHER | 86 | 2W5-015-01 | CAST CONTROL SPACER |
| 39 | 2E5-006-01 | E2.5 RETAINER | 87 | 2Z1-015-02 | 310-4 BALL BEARING |
| 40 | 2YM-026-01 | WORM SHAFT ASSEMBLY | 88 | 2E4-011-01 | BEARING RETAINER |
| 41 | 2C1-055-01 | SPACER | 89 | 2X3-004-01 | WRENCH |
| 42 | 2C2-059-01 | WORM SHAFT BUSH A | | | |
| 43 | 2P4-009-01 | OSCILLATING SLIDER PIN | SL101 SPECIAL PARTS | | |
| 44 | 2F5-144-01 | BODY FRONT COVER | 15 | 2F5-145-02 | LEFT SIDE COVER |
| 45 | 2YR-039-01 | LINE GUIDE ASSEMBLY | 29 | 2G1-044-01 | DRIVE GEAR |
| 46 | 2M5-006-01 | LINE GUIDE PIN | 57 | 2YT-172-01 | SPOOL ASSEMBLY |
| 47 | 2W1-100-01 | 020-068 WASHER | 69 | 2G2-060-01 | PINION GEAR |
| 48 | 2E3-028-01 | LINE GUIDE NUT | 74 | 2F5-146-02 | RIGHT SIDE COVER |