

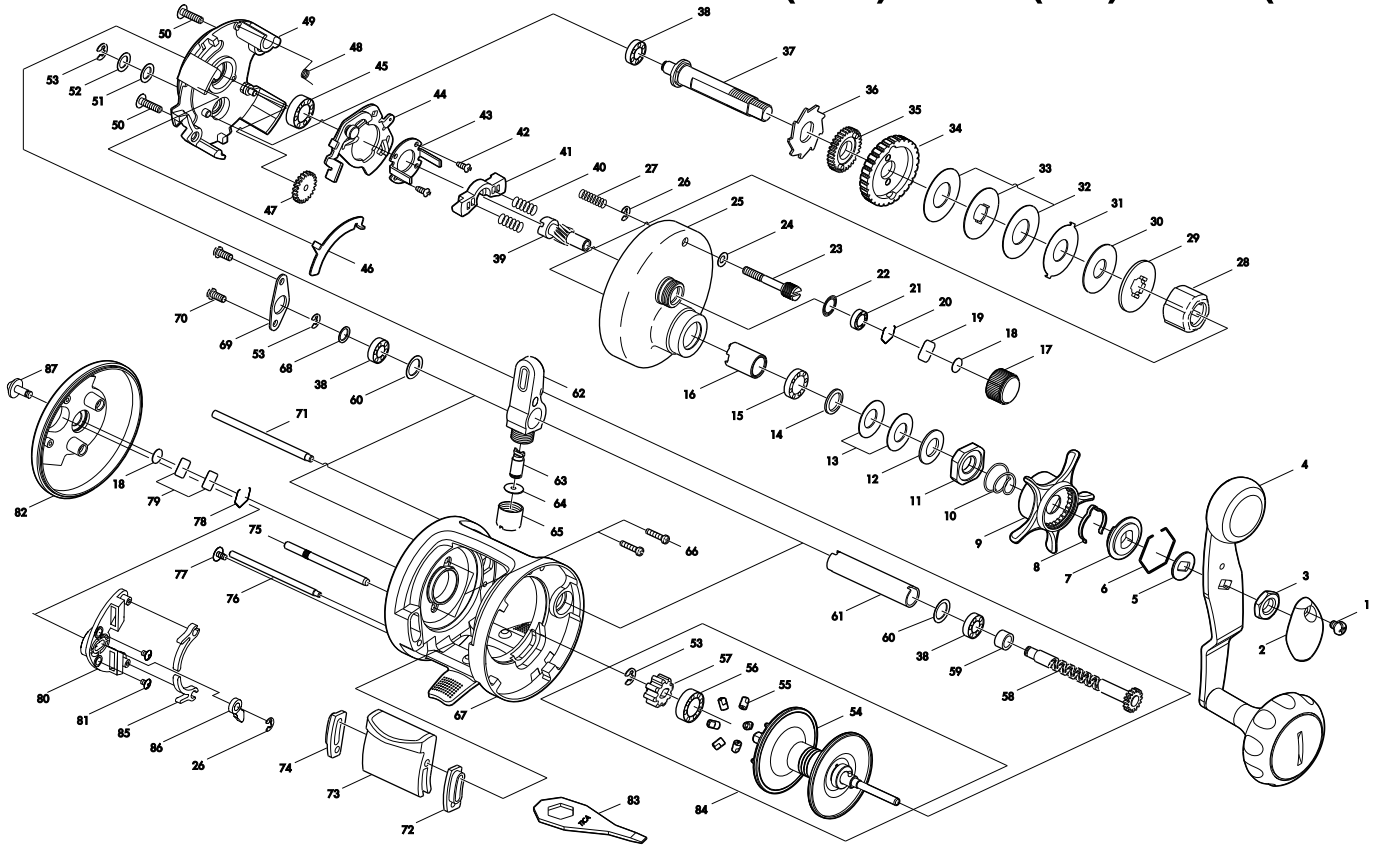


CAIMAN

BAIT CASTING REEL

CJ150R(BLUE) / CJ150R(RED) / CJ150R(GOLDEN)

Please order by parts number, not key number
 Bitte, Best-Nr. angeben (Nicht "key" -nr.)
 Veuillez indiquer le numero de la pièce (Non "key" no.)



Key No.

Parts No.

Parts Name

1	2E2-080-01	A30M-040 SCREW
2	2F5-050-01	HANDLE NUT CAP
3	2E3-068-01	HANDLE NUT
4	2YH-270-01	HANDLE TOTAL ASSEMBLY
5	2W2-058-01	KEY WASH
6	2E4-018-01	RETAINER
7	2F8-050-01	CLICK LEAF SPRING HOLDER
8	2L3-029-01	CLICK LEAF SPRING
9	2D4-008-02	STAR DRAG LEVER
10	2Q1-052-01	STAR DRAG SPRING
11	2E3-029-01	STAR DRAG NUT
12	2W1-020-01	081-130 WASHER
13	2L1-004-01	SPRING WASHER
14	2W1-035-05	080-105 WASHER
15	2Z1-024-05	812-2.5 BALL BEARING
16	2A4-022-01	ONE-WAY CLUTCH INNER TUBE
17	2E3-024-01	CAST CONTROL NUT
18	2W5-026-01	SPACER
19	2W5-029-01	CAST CONTROL SPACER
20	2E4-019-01	BEARING RETAINER
21	2Z1-001-05	508-2.5 BALL BEARING
22	2E9-005-01	O RING
23	2E0-011-01	RIGHT SIDE COVER SCREW
24	2W1-132-01	036-060 WASHER
25	2YF-029-07	RIGHT SIDE COVER ASSEMBLY
26	2E5-006-01	E2.5 RETAINER
27	2Q1-056-01	RIGHT SIDE COVER SCREW SPRING
28	2YZ-007-01	ONE-WAY CLUTCH BEARING ASSEMBLY
29	2W2-032-01	KEY WASHER
30	2W1-126-01	082-210 WASHER
31	2W3-017-01	EARED WASHER
32	2W1-111-01	100-230 WASHER
33	2W2-025-01	KEY WASHER
34	2G1-027-01	DRIVE GEAR
35	2YG-023-01	OSCILLATING GEAR ASSEMBLY
36	2A3-027-01	RATCHET
37	2M3-048-01	DRIVE SHAFT
38	2Z1-018-05	510-3 BALL BEARING
39	2G2-010-01	PINION GEAR
40	2Q1-031-01	YOKE SPRING
41	2A2-039-01	PINION YOKE
42	2E2-047-01	A20M-065 SCREW
43	2F8-030-01	CLUTCH CAM RETAINER
44	2YA-017-01	CLUTCH CAM ASSEMBLY
45	2Z1-010-05	812-3.5 BALL BEARING
46	2M2-002-01	CLUTCH PLATE
47	2G3-022-01	IDLE GEAR
48	2Q3-086-01	RETRACTOR SPRING
49	2F8-032-01	GEAR SETTING PLATE

Key No.

Parts No.

Parts Name

50	2E2-005-03	B26M-080 SCREW
51	2W1-054-01	052-080 WASHER
52	2W1-070-01	052-080 WASHER
53	2E5-013-01	E3.0 RETAINER
54	2YS-080-01	SPOOL ASSEMBLY
55	2C2-057-01	BRAKE COLLAR
56	2Z1-023-05	814-4 BALL BEARING
57	2F3-037-01	CLICK GEAR
58	2YM-032-01	WORM SHAFT ASSEMBLY
59	2C1-059-01	SPACER
60	2W1-078-01	072-100 WASHER
61	2C4-007-01	LEVEL WIND GUARD
62	2YR-038-01	LINE GUIDE ASSEMBLY
63	2M5-005-01	LINE GUIDE PIN
64	2W1-100-01	020-068 WASHER
65	2E3-014-01	LINE GUIDE NUT
66	2E2-034-01	A20M-090 SCREW
67	2YB-089-04	BODY ASSEMBLY
68	2W1-046-01	051-068 WASHER
69	2F6-050-01	BEARING HOLDING PLATE
70	2E2-037-01	A26M-060 SCREW
71	2P4-006-01	LEVEL WIND GUIDE
72	2C4-013-02	CASTING BAR GUIDE A
73	2YS-085-02	CASTING BAR ASSEMBLY
74	2C4-014-02	CASTING BAR GUIDE B
75	2P2-021-01	CASTING BAR PIN
76	2P4-008-01	CASTING BAR SUPPORT
77	2E2-003-01	B26M-036 SCREW
78	2E4-011-01	BEARING RETAINER
79	2W5-015-01	CAST CONTROL SPACER
80	2F6-032-01	CLICK PLATE
81	2E2-022-01	B20M-030 SCREW
82	2F5-089-04	LEFT SIDE COVER
83	2X3-004-02	WRENCH
84	2YT-139-01	SPOOL TOTAL ASSEMBLY
85	2F2-020-01	CLICK SPRING
86	2F4-018-01	CLICK PAWL
87	2F7-004-01	CLICK SWITCH
CJ150R(RED)		SPECIAL PARTS
4	2YH-270-02	HANDLE TOTAL ASSEMBLY
25	2YF-029-08	RIGHT SIDE COVER ASSEMBLY
67	2YB-089-05	BODY ASSEMBLY
82	2F5-089-05	LEFT SIDE COVER
CJ150R(GOLDEN)		SPECIAL PARTS
4	2YH-270-03	HANDLE TOTAL ASSEMBLY
9	2D4-008-01	STAR DRAG LEVER
25	2YF-029-09	RIGHT SIDE COVER ASSEMBLY
67	2YB-089-06	BODY ASSEMBLY
82	2F5-089-06	LEFT SIDE COVER