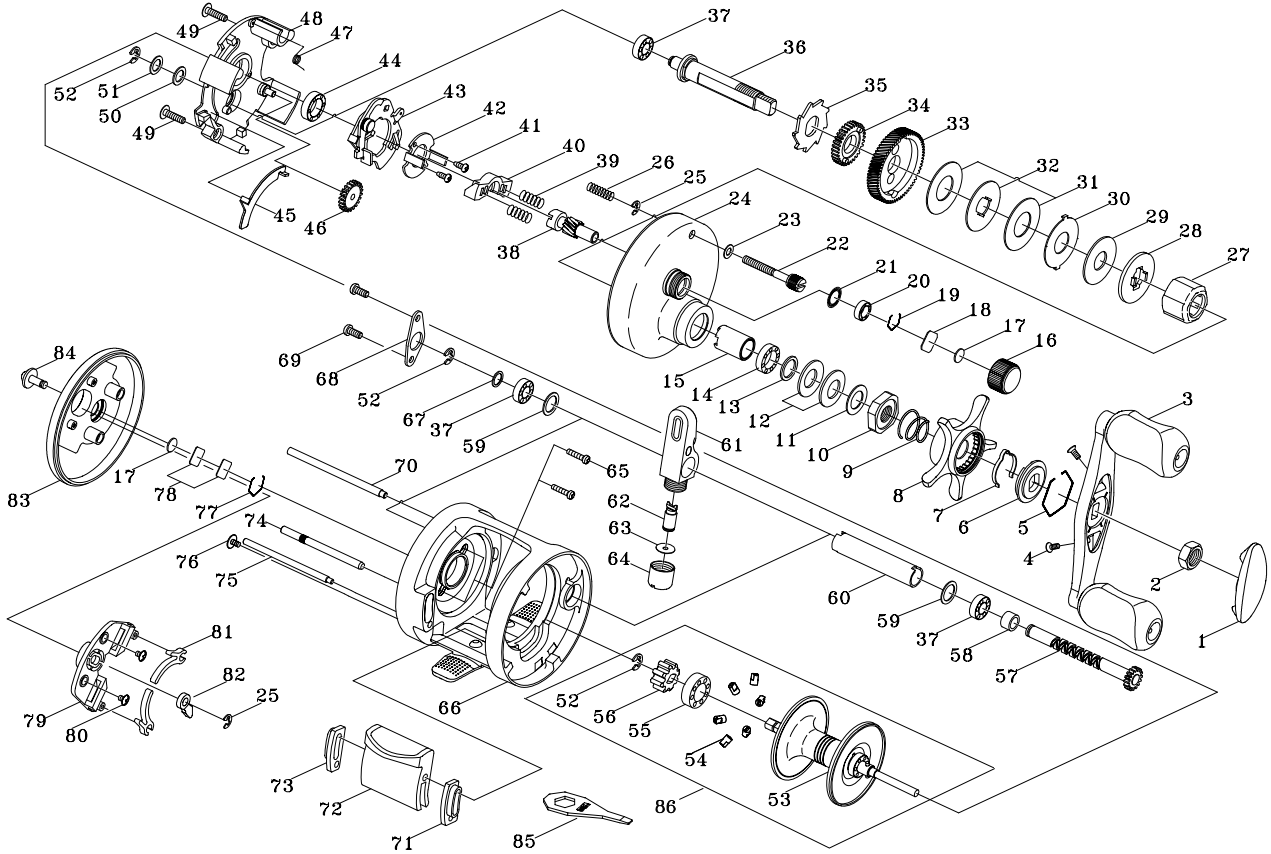


BAIT CASTING REEL

CAIMAN

CM150R / CA150R



Key No.	Parts No.	Parts Name	Key No.	Parts No.	Parts Name
1	2F5-097-01	HANDLE NUT CAP	48	2F8-032-01	GEAR SETTING PLATE
2	2E3-016-01	NUT	49	2E2-005-03	B26M-080 SCREW
3	2YH-079-01	HANDLE TOTAL ASSEMBLY	50	2W1-054-01	052-080 WASHER
4	2E2-030-02	F20M-050 SCREW	51	2W1-070-01	052-080 WASHER
5	2E4-018-01	RETAINER	52	2E5-013-01	E3.0 RETAINER
6	2F8-050-01	CLICK LEAF SPRING HOLDER	53	2YS-080-01	SPOOL ASSEMBLY
7	2L3-029-01	CLICK LEAF SPRING	54	2C2-057-01	BRAKE COLLAR
8	2D4-008-01	STAR DRAG LEVER	55	2Z1-023-05	814-4 BALL BEARING
9	2Q1-052-01	STAR DRAG SPRING	56	2F3-037-01	CLICK GEAR
10	2E3-029-01	STAR DRAG NUT	57	2YM-032-01	WORM SHAFT ASSEMBLY
11	2W1-020-01	081-130 WASHER	58	2C1-059-01	SPACER
12	2L1-004-01	SPRING WASHER	59	2W1-078-01	072-100 WASHER
13	2W1-035-05	080-105 WASHER	60	2C4-007-01	LEVEL WIND GUARD
14	2Z1-024-05	812-2.5 BALL BEARING	61	2YR-038-01	LINE GUIDE ASSEMBLY
15	2A4-022-01	ONE-WAY CLUTCH INNER TUBE	62	2M5-005-01	LINE GUIDE PIN
16	2E3-024-01	CAST CONTROL NUT	63	2W1-100-01	020-068 WASHER
17	2W5-026-01	SPACER	64	2E3-014-01	LINE GUIDE NUT
18	2W5-029-01	CAST CONTROL SPACER	65	2E2-034-01	A20M-090 SCREW
19	2E4-019-01	BEARING RETAINER	66	2YB-089-01	BODY ASSEMBLY
20	2Z1-001-05	508-2.5 BALL BEARING	67	2W1-046-01	051-068 WASHER
21	2E9-005-01	O RING	68	2F6-050-01	BEARING HOLDING PLATE
22	2E0-011-01	RIGHT SIDE COVER SCREW	69	2E2-037-01	A26M-060 SCREW
23	2W1-132-01	036-060 WASHER	70	2P4-006-01	LEVEL WIND GUIDE
24	2YF-029-04	RIGHT SIDE COVER ASSEMBLY	71	2C4-013-01	CASTING BAR GUIDE A
25	2E5-006-01	E2.5 RETAINER	72	2YS-085-01	CASTING BAR ASSEMBLY
26	2Q1-056-01	RIGHT SIDE COVER SCREW SPRING	73	2C4-014-01	CASTING BAR GUIDE B
27	2YZ-007-01	ONE-WAY CLUTCH BEARING ASSEMBLY	74	2P2-021-01	CASTING BAR PIN
28	2W2-032-01	KEY WASHER	75	2P4-008-01	CASTING BAR SUPPORT
29	2W1-126-01	082-210 WASHER	76	2E2-003-01	B26M-036 SCREW
30	2W3-017-01	EARED WASHER	77	2E4-011-01	BEARING RETAINER
31	2W1-111-01	100-230 WASHER	78	2W5-015-01	CAST CONTROL SPACER
32	2W2-025-01	KEY WASHER	79	2F6-032-01	CLICK PLATE
33	2G1-027-01	DRIVE GEAR	80	2E2-022-01	B20M-030 SCREW
34	2YG-023-01	OSCILLATING GEAR ASSEMBLY	81	2F2-020-01	CLICK SPRING
35	2A3-027-01	RATCHET	82	2F4-018-01	CLICK PAWL
36	2M3-048-01	DRIVE SHAFT	83	2F5-089-01	LEFT SIDE COVER
37	2Z1-018-05	510-3 BALL BEARING	84	2F7-004-01	CLICK SWITCH
38	2G2-010-01	PINION GEAR	85	2X3-004-01	WRENCH
39	2Q1-031-01	YOKE SPRING	86	2YT-139-01	SPOOL TOTAL ASSEMBLY
40	2A2-039-01	PINION YOKE	CA150R	SPECIAL PARTS	
41	2E2-047-01	A20M-065 SCREW	1	2F5-097-02	HANDLE NUT CAP
42	2F8-030-01	CLUTCH CAM RETAINER	3	2YH-079-03	HANDLE TOTAL ASSEMBLY
43	2YA-017-01	CLUTCH CAM ASSEMBLY	8	2D4-008-03	STAR DRAG LEVER
44	2Z1-010-05	812-3.5 BALL BEARING	24	2YF-092-06	RIGHT SIDE COVER ASSEMBLY
45	2M2-002-01	CLUTCH PLATE	66	2YB-089-03	BODY ASSEMBLY
46	2G3-022-01	IDLE GEAR	83	2F5-089-03	LEFT SIDE COVER
47	2Q3-086-01	RETRACTOR SPRING			