

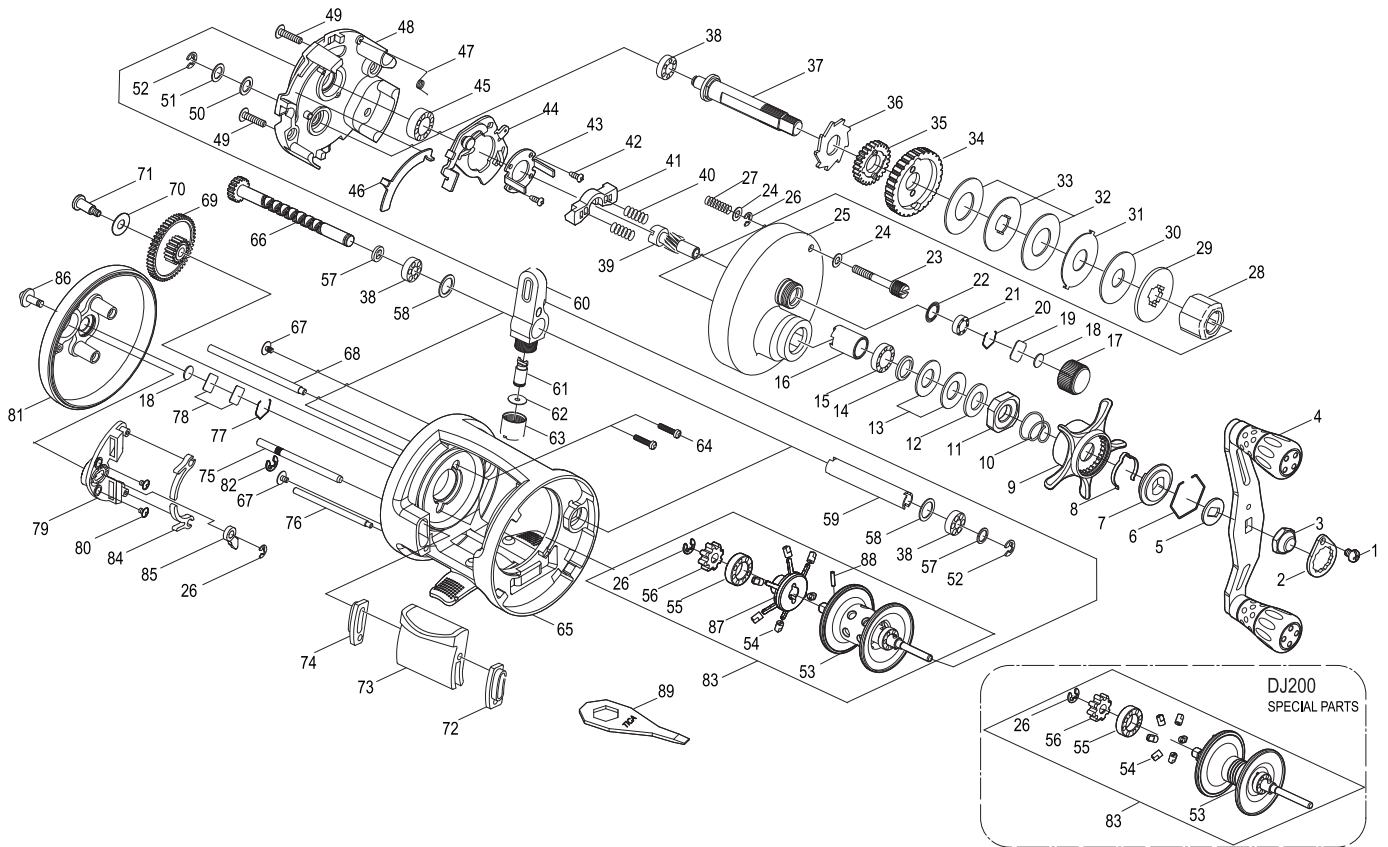


BAIT CASTING REEL

CAIMAN

Please order by parts number, not key number
 Bitte, Best.-Nr. angeben (Nicht "key" -nr.)
 Veuillez indiquer le numero de la piece (Non "key" no.)

DJ200M / DJ200



Key No.

Parts No.

Parts Name

| | | |
|----|------------|---------------------------------|
| 1 | 2E2-089-01 | A26M-045 SCREW |
| 2 | 2F6-043-02 | ROTOR NUT HOLDING PLATE |
| 3 | 2E3-075-01 | HANDLE NUT |
| 4 | 2YH-312-01 | HANDLE TOTAL ASSEMBLY |
| 5 | 2W2-058-01 | KEY WASH |
| 6 | 2E4-018-01 | RETAINER |
| 7 | 2F8-050-01 | CLICK LEAF SPRING HOLDER |
| 8 | 2L3-029-01 | CLICK LEAF SPRING |
| 9 | 2D4-008-02 | STAR DRAG LEVER |
| 10 | 2Q1-052-01 | STAR DRAG SPRING |
| 11 | 2E3-029-01 | STAR DRAG NUT |
| 12 | 2W1-020-01 | 081-130 WASHER |
| 13 | 2L1-004-01 | SPRING WASHER |
| 14 | 2W1-035-05 | 080-105 WASHER |
| 15 | 2Z1-024-05 | 812-2.5 BALL BEARING |
| 16 | 2A4-022-01 | ONE-WAY CLUTCH INNER TUBE |
| 17 | 2E3-024-01 | CAST CONTROL NUT |
| 18 | 2W5-026-01 | SPACER |
| 19 | 2W5-029-01 | CAST CONTROL SPACER |
| 20 | 2E4-019-01 | BEARING RETAINER |
| 21 | 2Z1-001-05 | 508-2.5 BALL BEARING |
| 22 | 2E9-005-01 | O RING |
| 23 | 2E0-011-01 | RIGHT SIDE COVER SCREW |
| 24 | 2W1-132-01 | 036-060 WASHER |
| 25 | 2YF-033-11 | RIGHT SIDE COVER ASSEMBLY |
| 26 | 2E5-006-01 | E2.5 RETAINER |
| 27 | 2Q1-056-01 | RIGHT SIDE COVER SCREW SPRING |
| 28 | 2YZ-007-01 | ONE-WAY CLUTCH BEARING ASSEMBLY |
| 29 | 2W2-032-01 | KEY WASHER |
| 30 | 2W1-126-01 | 082-210 WASHER |
| 31 | 2W3-017-01 | EARED WASHER |
| 32 | 2W1-111-01 | 100-230 WASHER |
| 33 | 2W2-025-01 | KEY WASHER |
| 34 | 2G1-027-01 | DRIVE GEAR |
| 35 | 2YG-023-01 | OSCILLATING GEAR ASSEMBLY |
| 36 | 2A3-027-01 | RATCHET |
| 37 | 2M3-053-01 | DRIVE SHAFT |
| 38 | 2Z1-018-05 | 510-3 BALL BEARING |
| 39 | 2G2-010-01 | PINION GEAR |
| 40 | 2Q1-031-01 | YOKE SPRING |
| 41 | 2A2-039-01 | PINION YOKE |
| 42 | 2E2-047-01 | A20M-065 SCREW |
| 43 | 2F8-030-01 | CLUTCH CAM RETAINER |
| 44 | 2YA-035-01 | CLUTCH CAM ASSEMBLY |
| 45 | 2Z1-010-05 | 812-3.5 BALL BEARING |
| 46 | 2M2-003-01 | CLUTCH PLATE |

Key No.

Parts No.

Parts Name

| | | |
|-------|---------------|---------------------------|
| 47 | 2Q3-086-01 | RETRACTOR SPRING |
| 48 | 2F8-039-01 | GEAR SETTING PLATE |
| 49 | 2E2-005-03 | B26M-080 SCREW |
| 50 | 2W1-054-01 | 052-080 WASHER |
| 51 | 2W1-070-01 | 052-080 WASHER |
| 52 | 2E5-013-01 | E3.0 RETAINER |
| 53 | 2YS-255-01 | SPOOL ASSEMBLY |
| 54 | 2C2-057-01 | BRAKE COLLAR |
| 55 | 2Z1-023-01 | 814-4 BALL BEARING |
| 56 | 2F3-041-01 | CLICK GEAR |
| 57 | 2W1-046-01 | 051-068 WASHER |
| 58 | 2W1-078-01 | 072-100 WASHER |
| 59 | 2C4-010-01 | LEVEL WIND GUARD |
| 60 | 2YR-038-01 | LINE GUIDE ASSEMBLY |
| 61 | 2M5-005-01 | LINE GUIDE PIN |
| 62 | 2W1-100-01 | 020-068 WASHER |
| 63 | 2E3-014-01 | LINE GUIDE NUT |
| 64 | 2E2-034-01 | A20M-090 SCREW |
| 65 | 2YB-095-08 | BODY ASSEMBLY |
| 66 | 2YM-042-01 | WORM SHAFT ASSEMBLY |
| 67 | 2E2-003-01 | B26M-036 SCREW |
| 68 | 2P4-006-03 | LEVEL WIND GUIDE |
| 69 | 2G3-015-01 | IDLE GEAR |
| 70 | 2W1-147-02 | 041-100 WASHER |
| 71 | 2E0-035-01 | IDLE GEAR |
| 72 | 2C4-013-02 | CASTING BAR GUIDE A |
| 73 | 2YS-085-02 | CASTING BAR ASSEMBLY |
| 74 | 2C4-014-02 | CASTING BAR GUIDE B |
| 75 | 2P2-021-01 | CASTING BAR PIN |
| 76 | 2P4-008-03 | CASTING BAR SUPPORT |
| 77 | 2E4-011-01 | BEARING RETAINER |
| 78 | 2W5-015-01 | CAST CONTROL SPACER |
| 79 | 2F6-032-01 | CLICK PLATE |
| 80 | 2E2-022-01 | B20M-030 SCREW |
| 81 | 2F5-108-10 | LEFT SIDE COVER |
| 82 | 2E5-020-01 | E1.5 RETAINER |
| 83 | 2YT-398-01 | SPOOL TOTAL ASSEMBLY |
| 84 | 2F2-020-01 | CLICK SPRING |
| 85 | 2F4-018-01 | CLICK PAWL |
| 86 | 2F7-004-01 | CLICK SWITCH |
| 87 | 2YS-257-01 | TIP OF SPOOL ASSEMBLY |
| 88 | 2E6-017-01 | SPOOL SHAFT PIN |
| 89 | 2X3-004-02 | WRENCH |
| DJ200 | SPECIAL PARTS | |
| 25 | 2YF-033-12 | RIGHT SIDE COVER ASSEMBLY |
| 53 | 2YS-083-03 | SPOOL ASSEMBLY |
| 83 | 2YT-143-03 | SPOOL TOTAL ASSEMBLY |