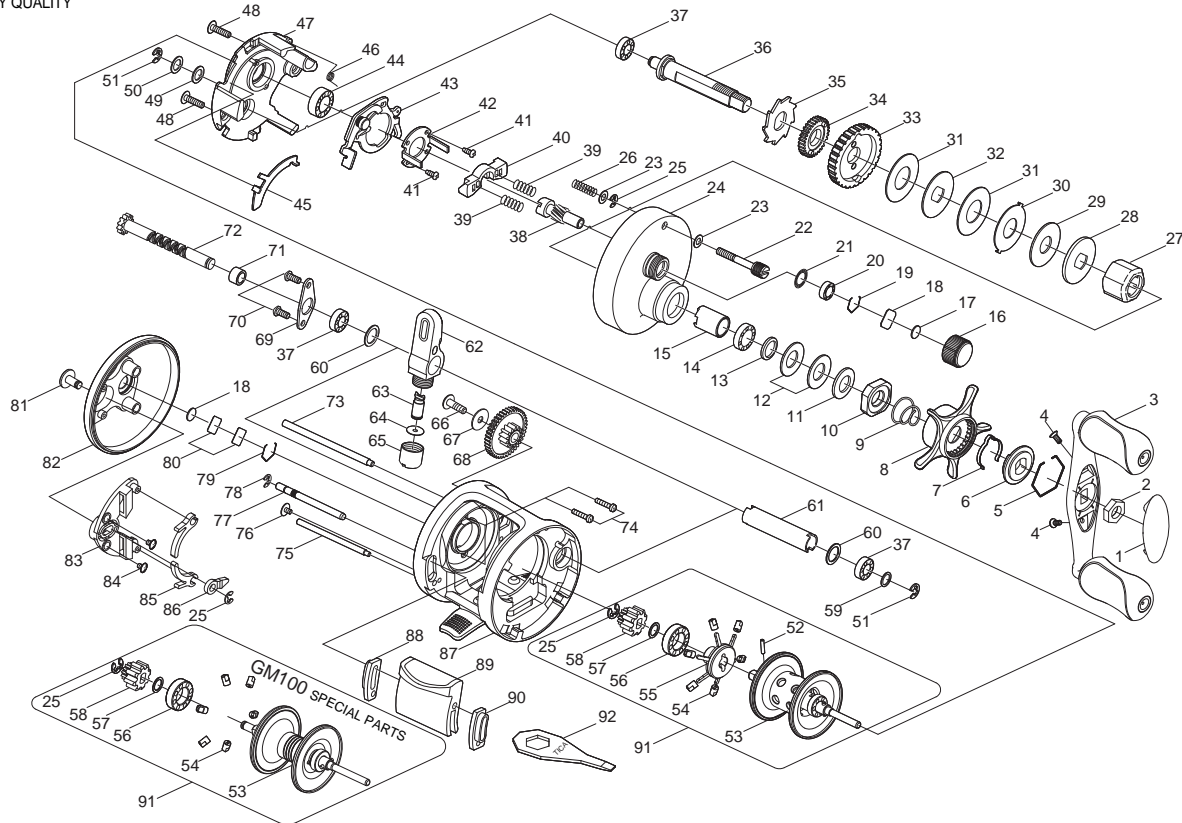




# BAIT CASTING REEL

# CAIMAN

# GM100M / GM100



**Key No.**

**Parts No.**

**Parts name**

1	2F5-097-01	HANDLE NUT CAP
2	2E3-016-01	NUT
3	2YH-079-04	HANDLE TOTAL ASSEMBLY
4	2E2-030-02	F20M-050 SCREW
5	2E4-018-01	RETAINER
6	2F8-050-01	CLICK LEAF SPRING HOLDER
7	2L3-029-01	CLICK LEAF SPRING
8	2D4-008-05	STAR DRAG LEVER
9	2Q1-052-01	STAR DRAG SPRING
10	2E3-029-01	STAR DRAG NUT
11	2W1-020-01	081-130 WASHER
12	2L1-004-01	SPRING WASHER
13	2W1-035-05	080-105 WASHER
14	2Z1-024-05	812-2.5 BALL BEARING
15	2A4-022-01	ONE-WAY CLUTCH INNER TUBE
16	2E3-024-01	CAST CONTROL NUT
17	2W5-026-01	SPACER
18	2W5-029-01	CAST CONTROL SPACER
19	2E4-019-01	BEARING RETAINER
20	2Z1-001-05	508-2.5 BALL BEARING
21	2E9-005-01	O RING
22	2E0-011-01	RIGHT SIDE COVER SCREW
23	2W1-132-01	036-060 WASHER
24	2YF-034-14	RIGHT SIDE COVER ASSEMBLY
25	2E5-006-01	E2.5 RETAINER
26	2Q1-056-01	RIGHT SIDE COVER SCREW SPRING
27	2YZ-007-01	ONE-WAY CLUTCH BEARING ASSEMBLY
28	2W2-032-01	KEY WASHER
29	2W1-126-01	082-210 WASHER
30	2W3-017-01	EARED WASHER
31	2W1-111-01	100-230 WASHER
32	2W2-025-01	KEY WASHER
33	2G1-027-01	DRIVE GEAR
34	2YG-023-01	OSCILLATING GEAR ASSEMBLY
35	2A3-027-01	RATCHET
36	2M3-048-01	DRIVE SHAFT
37	2Z1-018-05	510-3 BALL BEARING
38	2G2-010-01	PINION GEAR
39	2Q1-031-01	YOKE SPRING
40	2A2-039-01	PINION YOKE
41	2E2-047-01	A20M-065 SCREW
42	2F8-030-01	CLUTCH CAM RETAINER
43	2YA-018-01	CLUTCH CAM ASSEMBLY
44	2Z1-010-05	812-3.5 BALL BEARING
45	2M2-017-01	CLUTCH PLATE
46	2Q3-086-01	RETRACTOR SPRING
47	2F8-016-01	GEAR SETTING PLATE
48	2E2-031-01	A26M-075 SCREW

**Key No.**

**Parts No.**

**Parts name**

49	2W1-054-01	052-080 WASHER
50	2W1-070-01	052-080 WASHER
51	2E5-013-01	E3.0 RETAINER
52	2E6-017-01	SPOOL SHAFT PIN
53	2YS-272-01	SPOOL ASSEMBLY
54	2C2-057-01	BRAKE COLLAR
55	2YS-256-01	TIP OF SPOOL ASSEMBLY
56	2Z1-023-01	814-4 BALL BEARING
57	2W1-070-03	052-080 WASHER
58	2F3-041-01	CLICK GEAR
59	2W1-046-01	051-068 WASHER
60	2W1-078-01	072-100 WASHER
61	2C4-015-01	LEVEL WIND GUARD
62	2YR-038-01	LINE GUIDE ASSEMBLY
63	2M5-005-01	LINE GUIDE PIN
64	2W1-100-01	020-068 WASHER
65	2E3-014-01	LINE GUIDE NUT
66	2E2-007-01	B30M-100 SCREW
67	2W1-166-02	031-102 WASHER
68	2G3-087-01	IDLE GEAR
69	2F6-050-01	BEARING HOLDING PLATE
70	2E2-037-01	A26M-060 SCREW
71	2C1-055-01	SPACER
72	2YM-087-01	WORM SHAFT ASSEMBLY
73	2P4-006-02	LEVEL WIND GUIDE
74	2E2-034-01	A20M-090 SCREW
75	2P4-008-02	CASTING BAR SUPPORT
76	2E2-003-01	B26M-036 SCREW
77	2P2-021-01	CASTING BAR PIN
78	2E5-020-01	E1.5 RETAINER
79	2E4-011-01	BEARING RETAINER
80	2W5-015-01	CAST CONTROL SPACER
81	2F7-004-01	CLICK SWITCH
82	2F5-404-01	LEFT SIDE COVER
83	2F6-055-01	CLICK PLATE
84	2E2-022-01	B20M-030 SCREW
85	2F2-020-01	CLICK SPRING
86	2F4-018-01	CLICK PAWL
87	2YB-096-51	BODY ASSEMBLY
88	2C4-014-01	CASTING BAR GUIDE B
89	2YS-085-01	CASTING BAR ASSEMBLY
90	2C4-013-01	CASTING BAR GUIDE A
91	2YT-410-01	SPOOL TOTAL ASSEMBLY
92	2X3-004-01	WRENCH
GM100	SPECIAL PARTS	
24	2YF-034-17	RIGHT SIDE COVER ASSEMBLY
53	2YS-281-01	SPOOL ASSEMBLY
91	2YT-445-01	SPOOL TOTAL ASSEMBLY