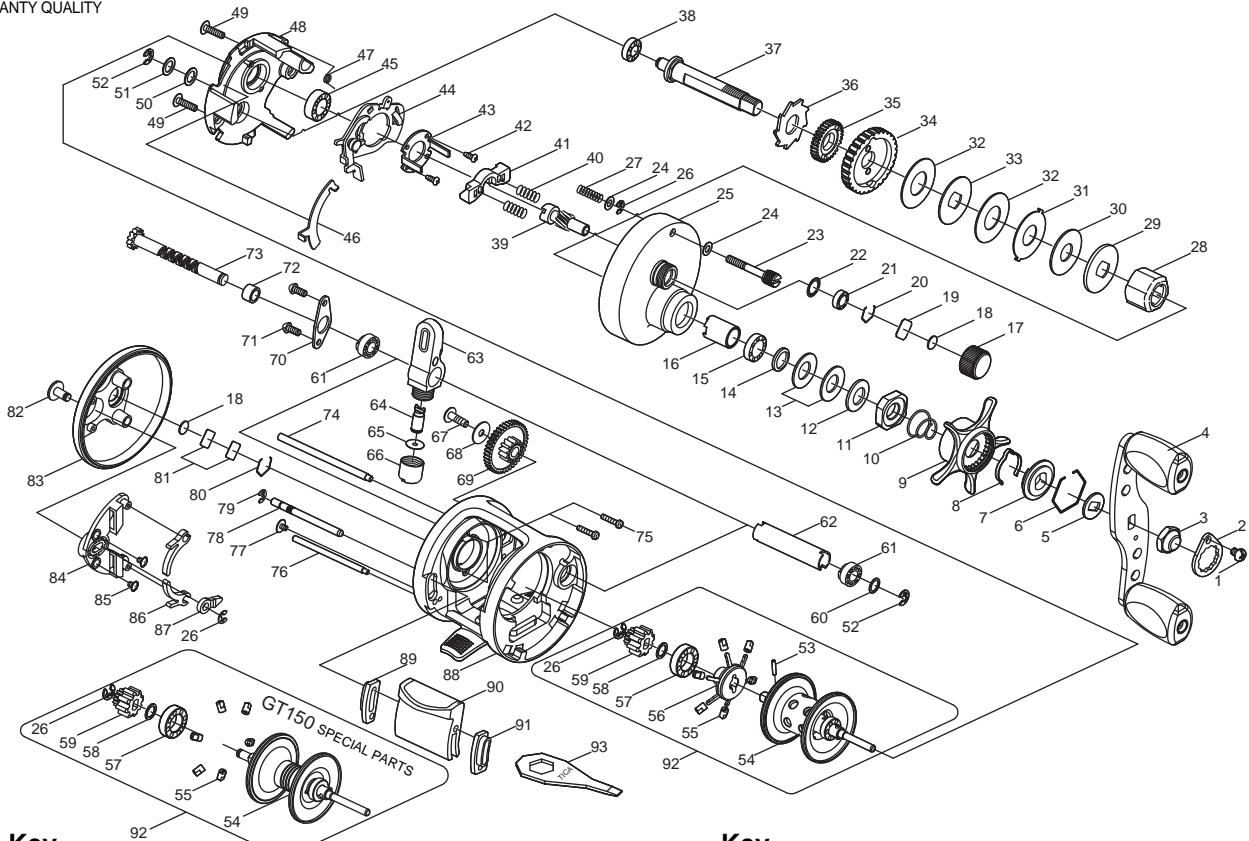




# BAIT CASTING REEL

# CAIMAN

# GT150M / GT150



Key No.	Parts No.	Parts name
1	2E2-089-01	A26M-045 SCREW
2	2F6-043-02	ROTOR NUT HOLDING PLATE
3	2E3-075-01	HANDLE NUT
4	2YH-331-01	SPOOL TOTAL ASSEMBLY
5	2W2-058-01	KEY WASH
6	2E4-018-01	RETAINER
7	2F8-050-01	CLICK LEAF SPRING HOLDER
8	2L3-029-01	CLICK LEAF SPRING
9	2D4-008-02	STAR DRAG LEVER
10	2Q1-052-01	STAR DRAG SPRING
11	2E3-029-01	STAR DRAG NUT
12	2W1-020-01	081-130 WASHER
13	2L1-004-01	SPRING WASHER
14	2W1-035-05	080-105 WASHER
15	2Z1-024-05	812-2.5 BALL BEARING
16	2A4-022-01	ONE-WAY CLUTCH INNER TUBE
17	2E3-024-01	CAST CONTROL NUT
18	2W5-026-01	SPACER
19	2W5-029-01	CAST CONTROL SPACER
20	2E4-019-01	BEARING RETAINER
21	2Z1-001-05	508-2.5 BALL BEARING
22	2E9-005-01	O RING
23	2E0-011-01	RIGHT SIDE COVER SCREW
24	2W1-132-01	036-060 WASHER
25	2YF-029-15	RIGHT SIDE COVER ASSEMBLY
26	2E5-006-01	E2.5 RETAINER
27	2Q1-056-01	RIGHT SIDE COVER SCREW SPRING
28	2YZ-007-01	ONE-WAY CLUTCH BEARING ASSEMBLY
29	2W2-032-01	KEY WASHER
30	2W1-126-01	082-210 WASHER
31	2W3-017-01	EARED WASHER
32	2W1-111-01	100-230 WASHER
33	2W2-025-01	KEY WASHER
34	2G1-027-01	DRIVE GEAR
35	2YG-023-01	OSCILLATING GEAR ASSEMBLY
36	2A3-027-01	RATCHET
37	2M3-048-01	DRIVE SHAFT
38	2Z1-018-05	510-3 BALL BEARING
39	2G2-010-01	PINION GEAR
40	2Q1-031-01	YOKE SPRING
41	2A2-039-01	PINION YOKE
42	2E2-047-01	A20M-065 SCREW
43	2F8-030-01	CLUTCH CAM RETAINER
44	2YA-017-01	CLUTCH CAM ASSEMBLY
45	2Z1-010-05	812-3.5 BALL BEARING
46	2M2-002-01	CLUTCH PLATE
47	2Q3-086-01	RETRACTOR SPRING
48	2F8-032-01	GEAR SETTING PLATE
49	2E2-005-03	B26M-080 SCREW

Key No.	Parts No.	Parts name
50	2W1-054-01	052-080 WASHER
51	2W1-070-01	052-080 WASHER
52	2E5-013-01	E3.0 RETAINER
53	2E6-017-01	SPOOL SHAFT PIN
54	2YS-273-01	SPOOL ASSEMBLY
55	2C2-057-01	BRAKE COLLAR
56	2YS-257-01	TIP OF SPOOL ASSEMBLY
57	2Z1-023-01	814-4 BALL BEARING
58	2W1-070-03	052-080 WASHER
59	2F3-041-01	CLICK GEAR
60	2W1-046-01	051-068 WASHER
61	2C2-042-01	WORM SHAFT BUSH
62	2C4-007-01	LEVEL WIND GUARD
63	2YR-038-01	LINE GUIDE ASSEMBLY
64	2M5-005-01	LINE GUIDE PIN
65	2W1-100-01	020-068 WASHER
66	2E3-014-01	LINE GUIDE NUT
67	2E2-007-01	B30M-100 SCREW
68	2W1-166-02	031-102 WASHER
69	2G3-088-01	IDLE GEAR
70	2F6-050-01	BEARING HOLDING PLATE
71	2E2-037-01	A26M-060 SCREW
72	2C1-055-01	SPACER
73	2YM-088-01	WORM SHAFT ASSEMBLY
74	2P4-006-01	LEVEL WIND GUIDE
75	2E2-034-01	A20M-090 SCREW
76	2P4-008-01	CASTING BAR SUPPORT
77	2E2-003-01	B26M-036 SCREW
78	2P2-021-01	CASTING BAR PIN
79	2E5-020-01	E1.5 RETAINER
80	2E4-011-01	BEARING RETAINER
81	2W5-015-01	CAST CONTROL SPACER
82	2F7-004-01	CLICK SWITCH
83	2F5-406-02	LEFT SIDE COVER
84	2F6-032-01	CLICK PLATE
85	2E2-022-01	B20M-030 SCREW
86	2F2-020-01	CLICK SPRING
87	2F4-018-01	CLICK PAWL
88	2YB-089-52	BODY ASSEMBLY
89	2C4-014-01	CASTING BAR GUIDE B
90	2YS-085-01	CASTING BAR ASSEMBLY
91	2C4-013-01	CASTING BAR GUIDE A
92	2YT-411-01	SPOOL TOTAL ASSEMBLY
93	2X3-004-02	WRENCH
GT150	SPECIAL PARTS	
25	2YF-029-18	RIGHT SIDE COVER ASSEMBLY
54	2YS-282-01	SPOOL ASSEMBLY
92	2YT-446-01	SPOOL TOTAL ASSEMBLY