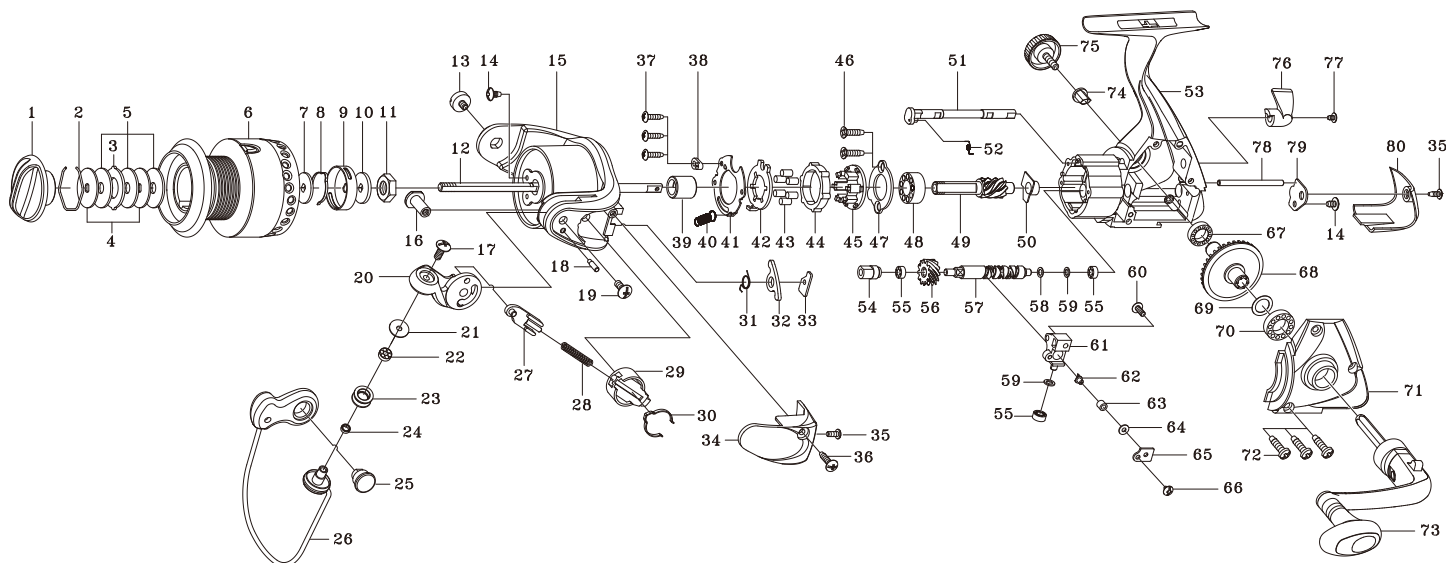


## SPINNING REEL

## SP3000/SP3500/SP3000H/SP3500H

Please order by parts number, not key number  
Bitte, Best.-Nr. angeben (Nicht "key" -nr.)  
Veuillez indiquer le numero de la pièce (Non "key" no.)



## Key NO.

## Parts No.

## Parts name

2-6	2YT-228-01	SPOOL TOTAL ASSEMBLY
42-45	2YZ-014-01	ONE-WAY CLUTCH ASSEMBLY
1	2YD-024-06	DRAG KNOB ASSEMBLY
2	2E4-009-01	DRAG WASHER RETAINER
3	2W3-014-01	EARED WASHER
4	2W2-013-01	KEY WASHER
5	2W1-052-01	050-187 WASHER
6	2YS-136-01	SPOOL ASSEMBLY
7	2W2-020-01	KEY WASHER
8	2L3-014-01	SPOOL CLICK LEAF SPRING
9	2F8-013-01	CLICK LEAF SPRING HOLDER
10	2W2-015-01	KEY WASHER
11	2E3-007-01	ROTOR NUT
12	2M3-040-01	MAIN SHAFT
13	2E0-008-02	BAIL HOLDER SCREW
14	2E1-028-01	B26-050 SCREW
15	2R1-089-03	ROTOR
16	2E3-040-02	SHAFT NUT
17	2E2-018-02	B30M-080 SCREW
18	2P1-032-01	BAIL ARM PIN
19	2E2-018-01	B30M-080 SCREW
20	2R2-038-03	BAIL ARM
21	2C1-034-01	LINE ROLLER COLLAR
22	2Z1-012-02	407-2.5 BALL BEARING
23	2R6-020-01	LINE ROLLER
24	2C2-032-01	LINE ROLLER BUSH
25	2E3-019-01	BAIL HOLDER NUT
26	2YL-097-02	BAIL ASSEMBLY
27	2R5-109-01	BAIL TRIP SHAFT
28	2Q1-076-01	BAIL SPRING
29	2C2-083-01	BAIL SPRING GUIDE
30	2L3-029-01	CLICK LEAF SPRING
31	2Q3-056-01	BAIL TRIP LEVER SPRING
32	2R5-110-01	BAIL TRIP LEVER
33	2W5-037-01	SPACER
34	2R4-111-02	BAIL SPRING COVER
35	2E1-048-02	B22-080 SCREW
36	2E1-046-02	B26-110 SCREW
37	2E1-029-01	B22-090 SCREW
38	2F8-079-01	ANTI-REVERSE SPRING ANCHOR
39	2A4-021-01	ONE-WAY CLUTCH INNER TUBE
40	2Q2-016-01	SPRING
41	2F5-192-01	ROLLER CLUTCH RETAINER
42	2F2-028-01	ANTI-REVERSE PAWL
43	2Z3-001-01	ROLLER
44	2A3-008-01	ANTI-REVERSE RATCHET
45	2F8-078-01	CAGE
46	2E1-067-01	F26-090 SCREW
47	2F5-193-01	BEARING RETAINER
48	2Z1-003-01	714-5 BALL BEARING
49	2G2-042-01	PINION GEAR
50	2C2-033-01	PINION GEAR BUSH
51	2A2-028-01	ANTI-REVERSE CAM

## Key NO.

## Parts No.

## Parts name

52	2Q3-009-01	ANTI-REVERSE SPRING
53	2YB-085-05	BODY ASSEMBLY
54	2C2-037-01	WORM SHAFT BUSH C
55	2Z1-014-01	306-2.5 BALL BEARING
56	2G3-019-01	WORM SHAFT GEAR
57	2M4-009-01	WORM SHAFT
58	2W1-058-02	030-050 WASHER
59	2W1-058-03	030-050 WASHER
60	2E2-009-01	F23M-060 SCREW
61	2M1-025-01	OSCILLATING SLIDER
62	2M5-001-01	LINE GUIDE PIN
63	2C2-034-01	LINE GUIDE PIN BUSH
64	2W1-059-01	020-049 WASHER
65	2F5-083-01	OSCILLATING SLIDER COVER
66	2E2-022-01	B20M-030 SCREW
67	2Z1-009-01	711-3 BALL BEARING
68	2G1-026-01	DRIVE GEAR
69	2W1-035-00	080-105 WASHER
70	2Z1-004-01	814-3.5 BALL BEARING
71	2YC-088-02	BODY COVER ASSEMBLY
72	2E1-031-02	A26-140 SCREW
73	2YH-152-02	HANDLE TOTAL ASSEMBLY
74	2C3-017-01	HANDLE SCREW SLEEVE
75	2H6-001-02	HANDLE SCREW CAP
76	2A1-025-02	ANTI-REVERSE LEVER
77	2E2-013-03	B20M-060 SCREW
78	2P1-025-01	OSCILLATING SLIDER PIN
79	2F5-084-01	WORM SHAFT COVER
80	2F5-087-02	REAR COVER
SP3500	SPECIAL PARTS	
2-6	2YT-229-01	SPOOL TOTAL ASSEMBLY
6	2YS-137-01	SPOOL ASSEMBLY
15	2R1-090-03	ROTOR
26	2YL-098-02	BAIL ASSEMBLY
32	2R5-111-01	BAIL TRIP LEVER
34	2R4-112-02	BAIL SPRING COVER
SP3000H	SPECIAL PARTS	
2-6	2YT-228-02	SPOOL TOTAL ASSEMBLY
6	2YS-136-02	SPOOL ASSEMBLY
49	2G2-053-01	PINION GEAR
56	2G3-030-01	WORM SHAFT GEAR
68	2G1-040-01	DRIVE GEAR
SP3500H	SPECIAL PARTS	
2-6	2YT-229-02	SPOOL TOTAL ASSEMBLY
6	2YS-137-02	SPOOL ASSEMBLY
15	2R1-090-03	ROTOR
26	2YL-098-02	BAIL ASSEMBLY
32	2R5-111-01	BAIL TRIP LEVER
34	2R4-112-02	BAIL SPRING COVER
49	2G2-053-01	PINION GEAR
56	2G3-030-01	WORM SHAFT GEAR
68	2G1-040-01	DRIVE GEAR