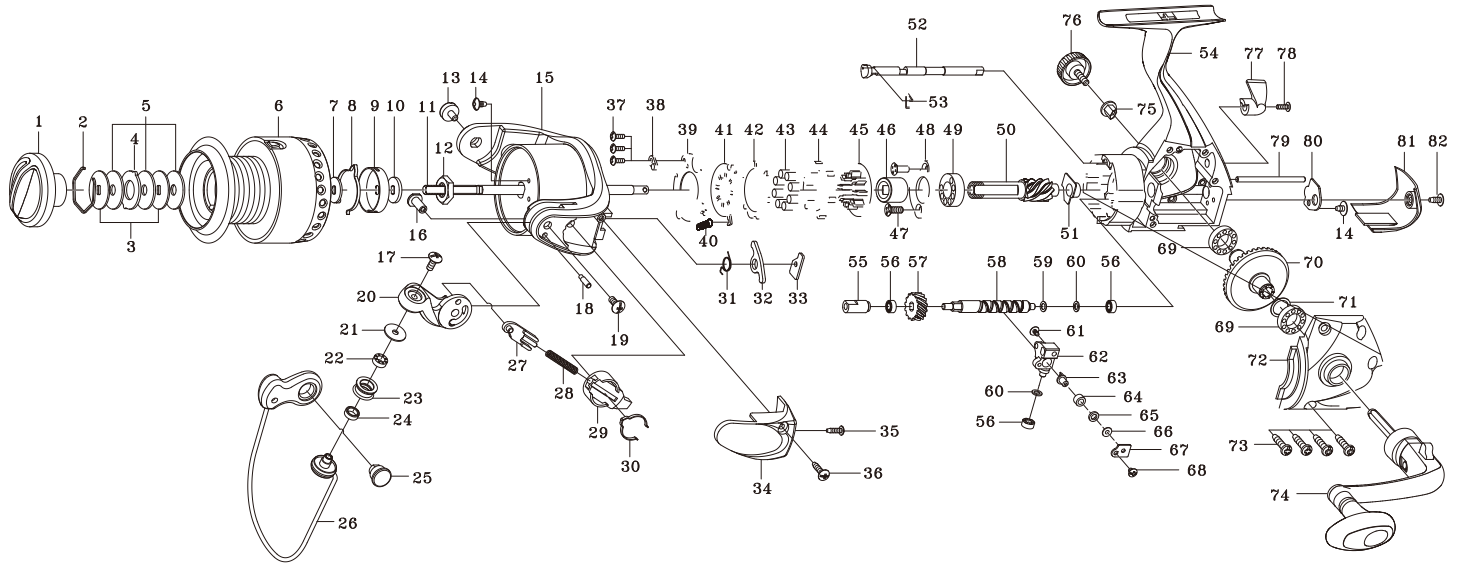


SPINNING REEL

SP4000/SP4500/SP4000H/SP4500H

Please order by parts number, not key number
Bitte, Best.-Nr. angeben (Nicht "key" -nr.)
Veuillez indiquer le numero de la pièce (Non "key" no.)

**Key NO.****Parts No.****Parts name****Key NO.****Parts No.****Parts name**

2-6	2YT-230-01	SPOOL TOTAL ASSEMBLY	53	2Q3-009-01	ANTI-REVERSE SPRING
41-45	2YZ-017-01	ONE-WAY CLUTCH ASSEMBLY	54	2YB-092-05	BODY ASSEMBLY
1	2YD-030-06	DRAG KNOB ASSEMBLY	55	2C2-049-01	WORM SHAFT BUSH C
2	2E4-009-01	DRAG WASHER RETAINER	56	2Z1-014-01	306-2.5 BALL BEARING
3	2W2-005-01	KEY WASHER	57	2G3-018-01	WORM SHAFT GEAR
4	2W3-003-01	EARED WASHER	58	2M4-008-01	WORM SHAFT
5	2W1-052-01	050-187 WASHER	59	2W1-058-02	030-050 WASHER
6	2YS-138-01	SPOOL ASSEMBLY	60	2W1-058-03	030-050 WASHER
7	2W2-023-01	KEY WASHER	61	2E2-009-01	F23M-060 SCREW
8	2L3-018-01	SPOOL CLICK LEAF SPRING	62	2M1-024-01	OSCILLATING SLIDER
9	2F8-027-01	CLICK LEAF SPRING HOLDER	63	2M5-004-01	LINE GUIDE PIN
10	2W2-024-01	KEY WASHER	64	2C2-034-01	LINE GUIDE PIN BUSH
11	2M3-039-01	MAIN SHAFT	65	2W1-107-02	030-050 WASHER
12	2E3-002-01	ROTOR NUT	66	2W1-059-01	020-049 WASHER
13	2E0-008-02	BAIL HOLDER SCREW	67	2F5-083-01	OSCILLATING SLIDER COVER
14	2E1-028-01	B26-050 SCREW	68	2E2-022-01	B20M-030 SCREW
15	2R1-091-03	ROTOR	69	2Z1-004-01	814-3.5 BALL BEARING
16	2E3-040-02	SHAFT NUT	70	2G1-025-01	DRIVE GEAR
17	2E2-018-02	B30M-080 SCREW	71	2W1-035-00	080-105 WASHER
18	2P1-032-01	BAIL ARM PIN	72	2YC-085-02	BODY COVER ASSEMBLY
19	2E2-018-01	B30M-080 SCREW	73	2E1-006-03	A30-130 SCREW
20	2R2-037-03	BAIL ARM	74	2YH-153-02	HANDLE TOTAL ASSEMBLY
21	2C1-034-01	LINE ROLLER COLLAR	75	2C3-023-01	HANDLE SCREW SLEEVE
22	2Z1-012-02	407-2.5 BALL BEARING	76	2H6-001-02	HANDLE SCREW CAP
23	2R6-020-01	LINE ROLLER	77	2A1-025-02	ANTI-REVERSE LEVER
24	2C2-032-01	LINE ROLLER BUSH	78	2E2-013-03	B20M-060 SCREW
25	2E3-019-01	BAIL HOLDER NUT	79	2P1-024-01	OSCILLATING SLIDER PIN
26	2YL-099-02	BAIL ASSEMBLY	80	2F5-078-01	WORM SHAFT COVER
27	2R5-109-01	BAIL TRIP SHAFT	81	2F5-080-02	REAR COVER
28	2Q1-023-01	BAIL SPRING	82	2E1-016-03	B26-080 SCREW
29	2C2-084-01	BAIL SPRING GUIDE	SP4500	SPECIAL PARTS	
30	2L3-019-01	CLICK LEAF SPRING	2-6	2YT-231-01	SPOOL TOTAL ASSEMBLY
31	2Q3-056-01	BAIL TRIP LEVER SPRING	6	2YS-139-01	SPOOL ASSEMBLY
32	2R5-112-01	BAIL TRIP LEVER	15	2R1-092-03	ROTOR
33	2W5-037-01	SPACER	26	2YL-100-02	BAIL ASSEMBLY
34	2R4-113-02	BAIL SPRING COVER	32	2R5-113-01	BAIL TRIP LEVER
35	2E1-048-02	B22-080 SCREW	34	2R4-114-02	BAIL SPRING COVER
36	2E1-046-02	B26-110 SCREW	SP4000H	SPECIAL PARTS	
37	2E1-029-01	B22-090 SCREW	2-6	2YT-230-02	SPOOL TOTAL ASSEMBLY
38	2F8-079-01	ANTI-REVERSE SPRING ANCHOR	6	2YS-138-02	SPOOL ASSEMBLY
39	2F5-189-01	ROLLER CLUTCH RETAINER	50	2G2-054-01	PINION GEAR
40	2Q2-016-01	SPRING	57	2G3-031-01	WORM SHAFT GEAR
41	2F2-027-01	ANTI-REVERSE PAWL	70	2G1-041-01	DRIVE GEAR
42	2W5-036-01	WASHER	SP4500H	SPECIAL PARTS	
43	2Z3-003-01	ROLLER	2-6	2YT-231-02	SPOOL TOTAL ASSEMBLY
44	2A3-025-01	ANTI-REVERSE RATCHET	6	2YS-139-02	SPOOL ASSEMBLY
45	2F8-082-01	CAGE	15	2R1-092-03	ROTOR
46	2A4-026-01	ONE-WAY CLUTCH INNER TUBE	26	2YL-100-02	BAIL ASSEMBLY
47	2E1-068-01	F30-100 SCREW	32	2R5-113-01	BAIL TRIP LEVER
48	2F5-203-01	BEARING RETAINER	34	2R4-114-02	BAIL SPRING COVER
49	2Z1-005-01	816-5 BALL BEARING	50	2G2-054-01	PINION GEAR
50	2G2-041-01	PINION GEAR	57	2G3-031-01	WORM SHAFT GEAR
51	2C2-048-01	PINION GEAR BUSH	70	2G1-041-01	DRIVE GEAR
52	2A2-027-01	ANTI-REVERSE CAM			