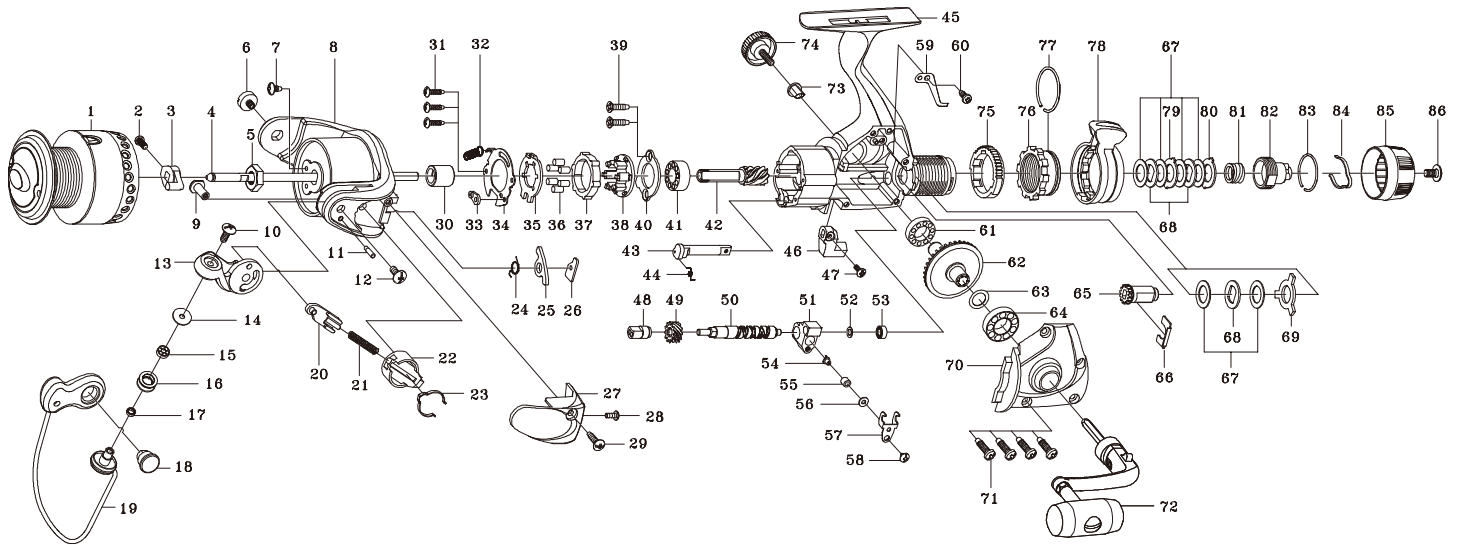


## SPINNING REEL

## SD3059/SD3559/SD3059H/SD3559H

Please order by parts number, not key number  
Bitte, Best.-Nr. angeben (Nicht "key" -nr.)  
Veuillez indiquer le numero de la pièce (Non "key" no.)



Key NO.	Parts No.	Parts name	Key NO.	Parts No.	Parts name
1	2YT-232-01	SPOOL ASSEMBLY	54	2M5-001-01	LINE GUIDE PIN
2	2E2-037-01	A26M-060 SCREW	55	2C2-034-01	LINE GUIDE PIN BUSH
3	2C3-021-01	SPOOL METAL	56	2W1-059-01	020-049 WASHER
4	2M3-042-01	MAIN SHAFT	57	2E5-015-01	OSCILLATING SLIDER RETAINER
5	2E3-007-01	ROTOR NUT	58	2E2-040-01	b26M-060 SCREW
6	2E0-008-02	BAIL HOLDER SCREW	59	2L2-010-01	CLICK PAWL
7	2E1-036-01	B26-040 SCREW	60	2E1-060-01	A26-060 SCREW
8	2R1-089-03	ROTOR	61	2Z1-009-01	711-3 BALL BEARING
9	2E3-040-02	SHAFT NUT	62	2G1-026-01	DRIVE GEAR
10	2E2-018-02	B30M-080 SCREW	63	2W1-035-00	080-105 WASHER
11	2P1-032-01	BAIL ARM PIN	64	2Z1-004-01	814-3.5 BALL BEARING
12	2E2-018-01	B30M-080 SCREW	65	2F3-010-01	CLICK GEAR
13	2R2-038-03	BAIL ARM	66	2E5-016-01	CLICK GEAR RETAINER
14	2C1-034-01	LINE ROLLER COLLAR	67	2W1-102-01	082-132 WASHER
15	2Z1-012-02	407-2.5 BALL BEARING	68	2W2-026-01	KEY WASHER
16	2R6-020-01	LINE ROLLER	69	2W5-022-01	EARED WASHER
17	2C2-032-01	LINE ROLLER BUSH	70	2B2-030-03	BODY COVER
18	2E3-019-01	BAIL HOLDER NUT	71	2E1-031-02	A26-140 SCREW
19	2YL-097-02	BAIL ASSEMBLY	72	2YH-098-02	HANDLE ASSEMBLY
20	2R5-109-01	BAIL TRIP SHAFT	73	2C3-017-01	HANDLE SCREW SLEEVE
21	2Q1-076-01	BAIL SPRING	74	2H6-001-09	HANDLE SCREW CAP
22	2C2-083-01	BAIL SPRING GUIDE	75	2F3-030-01	HANDLE CLICK GEAR
23	2L3-029-01	CLICK LEAF SPRING	76	2D3-021-01	LEVER BRAKE
24	2Q3-056-01	BAIL TRIP LEVER SPRING	77	2E4-014-01	RETAINER
25	2R5-110-01	BAIL TRIP LEVER	78	2YD-032-03	LEVER BRAKE ASSEMBLY
26	2W5-037-01	SPACER	79	2W3-021-01	EARED WASHER
27	2R4-111-02	BAIL SPRING COVER	80	2W3-015-01	EARED WASHER
28	2E1-048-02	B22-080 SCREW	81	2Q1-045-01	DRAG SPRING
29	2E1-046-02	B26-110 SCREW	82	2D2-002-01	DRAG SCREW
30	2A4-021-01	ONE-WAY CLUTCH INNER TUBE	83	2E4-006-01	DRAG WASHER RETAINER
31	2E1-029-01	B22-090 SCREW	84	2L3-020-01	CLICK RING PLATE
32	2Q2-016-01	SPRING	85	2D1-033-02	DRAG KNOB
33	2F8-079-01	ANTI-REVERSE SPRING ANCHOR	86	2E2-015-03	B35M-060 SCREW
34	2F5-205-01	ROLLER CLUTCH RETAINER	SD3559	SPECIAL PARTS	
35	2F2-026-01	ANTI-REVERSE PAWL	1	2YT-233-01	SPOOL ASSEMBLY
36	2Z3-001-01	ROLLER	8	2R1-090-03	ROTOR
37	2A3-008-01	ANTI-REVERSE RATCHET	19	2YL-098-02	BAIL ASSEMBLY
38	2F8-078-01	CAGE	25	2R5-111-01	BAIL TRIP LEVER
39	2E1-067-01	F26-090 SCREW	27	2R4-112-02	BAIL SPRING COVER
40	2F5-193-01	BEARING RETAINER	SD3059H	SPECIAL PARTS	
41	2Z1-003-01	714-5 BALL BEARING	1	2YT-232-02	SPOOL ASSEMBLY
42	2G2-042-02	PINION GEAR	42	2G2-053-02	PINION GEAR
43	2A2-031-01	ANTI-REVERSE CAM	49	2G3-033-01	WORM SHAFT GEAR
44	2Q3-009-01	ANTI-REVERSE SPRING	62	2G1-040-01	DRIVE GEAR
45	2YB-111-03	BODY ASSEMBLY	SD3559H	SPECIAL PARTS	
46	2A1-026-02	ANTI-REVERSE LEVER	1	2YT-233-02	SPOOL ASSEMBLY
47	2E2-013-03	B20M-060 SCREW	8	2R1-090-03	ROTOR
48	2C2-054-01	WORM SHAFT BUSH	19	2YL-098-02	BAIL ASSEMBLY
49	2G3-020-01	WORM SHAFT GEAR	25	2R5-111-01	BAIL TRIP LEVER
50	2M4-010-01	WORM SHAFT	27	2R4-112-02	BAIL SPRING COVER
51	2M1-026-01	OSCILLATING SLIDER	42	2G2-053-02	PINION GEAR
52	2W1-058-02	030-050 WASHER	49	2G3-033-01	WORM SHAFT GEAR
53	2Z1-014-01	306-2.5 BALL BEARING	62	2G1-040-01	DRIVE GEAR