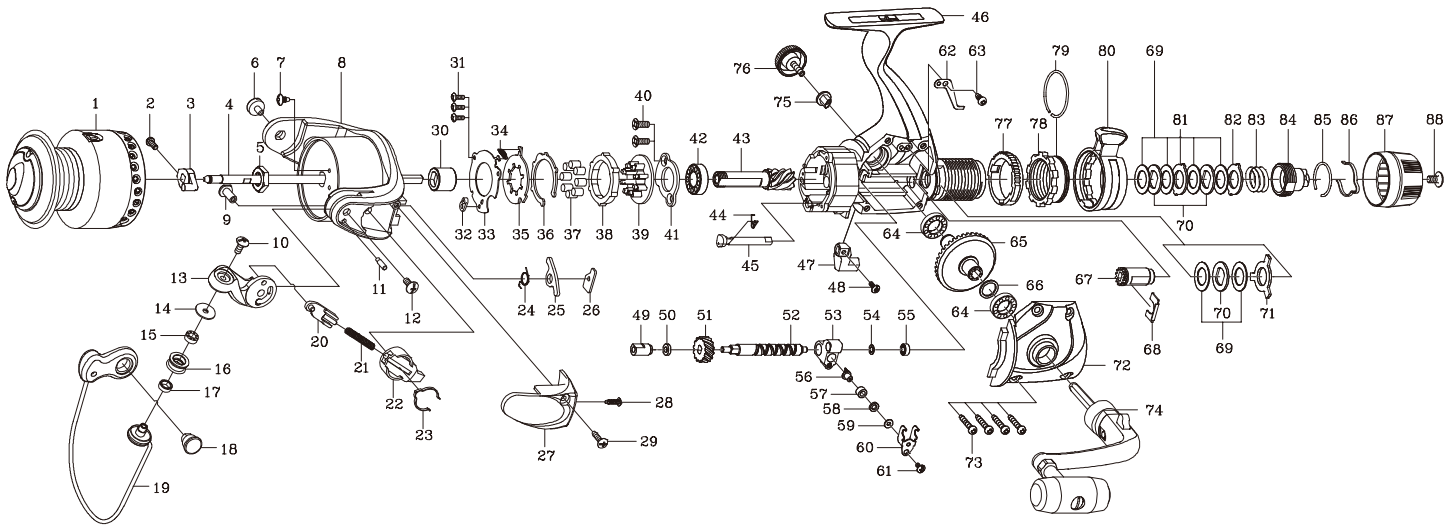


## SPINNING REEL

## SD4059/SD4559/SD4059H/SD4559H

Please order by parts number, not key number  
Bitte, Best.-Nr. angeben (Nicht "key" -nr.)  
Veuillez indiquer le numero de la pièce (Non "key" no.)



Key NO.	Parts No.	Parts name	Key NO.	Parts No.	Parts name
1	2YT-234-01	SPOOL ASSEMBLY	55	2Z1-014-01	306-2.5 BALL BEARING
2	2E2-037-01	A26M-060 SCREW	56	2M5-004-01	LINE GUIDE PIN
3	2C3-021-02	SPOOL METAL	57	2C2-034-01	LINE GUIDE PIN BUSH
4	2M3-041-01	MAIN SHAFT	58	2W1-107-02	030-050 WASHER
5	2E3-002-01	ROTOR NUT	59	2W1-059-01	020-049 WASHER
6	2E0-008-02	BAIL HOLDER SCREW	60	2E5-017-01	OSCILLATING SLIDER RETAINER
7	2E1-028-01	B26-050 SCREW	61	2E2-040-01	b26M-060 SCREW
8	2R1-091-03	ROTOR	62	2L2-010-01	CLICK PAWL
9	2E3-040-02	SHAFT NUT	63	2E1-060-01	A26-060 SCREW
10	2E2-018-02	B30M-080 SCREW	64	2Z1-004-01	814-3.5 BALL BEARING
11	2P1-032-01	BAIL ARM PIN	65	2G1-025-01	DRIVE GEAR
12	2E2-018-01	B30M-080 SCREW	66	2W1-035-00	080-105 WASHER
13	2R2-037-03	BAIL ARM	67	2F3-034-01	CLICK GEAR
14	2C1-034-01	LINE ROLLER COLLAR	68	2E5-016-01	CLICK GEAR RETAINER
15	2Z1-012-02	407-2.5 BALL BEARING	69	2W1-056-01	092-152 WASHER
16	2R6-020-01	LINE ROLLER	70	2W2-029-01	KEY WASHER
17	2C2-032-01	LINE ROLLER BUSH	71	2W5-024-01	EARED WASHER
18	2E3-019-01	BAIL HOLDER NUT	72	2B2-031-03	BODY COVER
19	2YL-099-02	BAIL ASSEMBLY	73	2E1-006-03	A30-130 SCREW
20	2R5-109-01	BAIL TRIP SHAFT	74	2YH-101-02	HANDLE ASSEMBLY
21	2Q1-023-01	BAIL SPRING	75	2C3-023-01	HANDLE SCREW SLEEVE
22	2C2-084-01	BAIL SPRING GUIDE	76	2H6-001-09	HANDLE SCREW CAP
23	2L3-029-01	CLICK LEAF SPRING	77	2F3-033-01	HANDLE CLICK GEAR
24	2Q3-056-01	BAIL TRIP LEVER SPRING	78	2D3-017-01	LEVER BRAKE
25	2R5-112-01	BAIL TRIP LEVER	79	2E4-016-01	RETAINER
26	2W5-037-01	SPACER	80	2YD-034-03	LEVER BRAKE ASSEMBLY
27	2R4-113-02	BAIL SPRING COVER	81	2W3-022-01	EARED WASHER
28	2E1-048-02	B22-080 SCREW	82	2W3-016-01	EARED WASHER
29	2E1-046-02	B26-110 SCREW	83	2Q1-006-01	DRAG SPRING
30	2A4-026-01	ONE-WAY CLUTCH INNER TUBE	84	2D2-003-01	DRAG SCREW
31	2E1-029-01	B22-090 SCREW	85	2E4-015-01	DRAG WASHER RETAINER
32	2F8-079-01	ANTI-REVERSE SPRING ANCHOR	86	2L3-021-01	CLICK RING PLATE
33	2F5-189-01	ROLLER CLUTCH RETAINER	87	2D1-034-02	DRAG KNOB
34	2Q2-016-01	SPRING	88	2E2-015-03	B35M-060 SCREW
35	2F2-027-01	ANTI-REVERSE PAWL	SD4559	SPECIAL PARTS	SD4559 SPECIAL PARTS
36	2W5-036-01	WASHER	1	2YT-235-01	SPOOL ASSEMBLY
37	2Z3-003-01	ROLLER	8	2R1-092-03	ROTOR
38	2A3-025-01	ANTI-REVERSE RATCHET	19	2YL-100-02	BAIL ASSEMBLY
39	2F8-082-01	CAGE	25	2R5-113-01	BAIL TRIP LEVER
40	2E1-068-01	F30-100 SCREW	27	2R4-114-02	BAIL SPRING COVER
41	2F5-203-01	BEARING RETAINER	SD4059H	SPECIAL PARTS	SD4059H SPECIAL PARTS
42	2Z1-005-01	816-5 BALL BEARING	1	2YT-234-02	SPOOL ASSEMBLY
43	2G2-041-02	PINION GEAR	43	2G2-054-02	PINION GEAR
44	2Q3-009-01	ANTI-REVERSE SPRING	51	2G3-031-01	WORM SHAFT GEAR
45	2A2-034-01	ANTI-REVERSE CAM	65	2G1-041-01	DRIVE GEAR
46	2YB-114-03	BODY ASSEMBLY	SD4559H	SPECIAL PARTS	SD4559H SPECIAL PARTS
47	2A1-026-02	ANTI-REVERSE LEVER	1	2YT-235-02	SPOOL ASSEMBLY
48	2E2-013-03	B20M-060 SCREW	8	2R1-092-03	ROTOR
49	2C2-049-01	WORM SHAFT BUSH C	19	2YL-100-02	BAIL ASSEMBLY
50	2C1-048-02	WORM SHAFT COLLAR	25	2R5-113-01	BAIL TRIP LEVER
51	2G3-018-01	WORM SHAFT GEAR	27	2R4-114-02	BAIL SPRING COVER
52	2M4-007-01	WORM SHAFT	43	2G2-054-02	PINION GEAR
53	2M1-027-01	OSCILLATING SLIDER	51	2G3-031-01	WORM SHAFT GEAR
54	2W1-058-02	030-050 WASHER	65	2G1-041-01	DRIVE GEAR