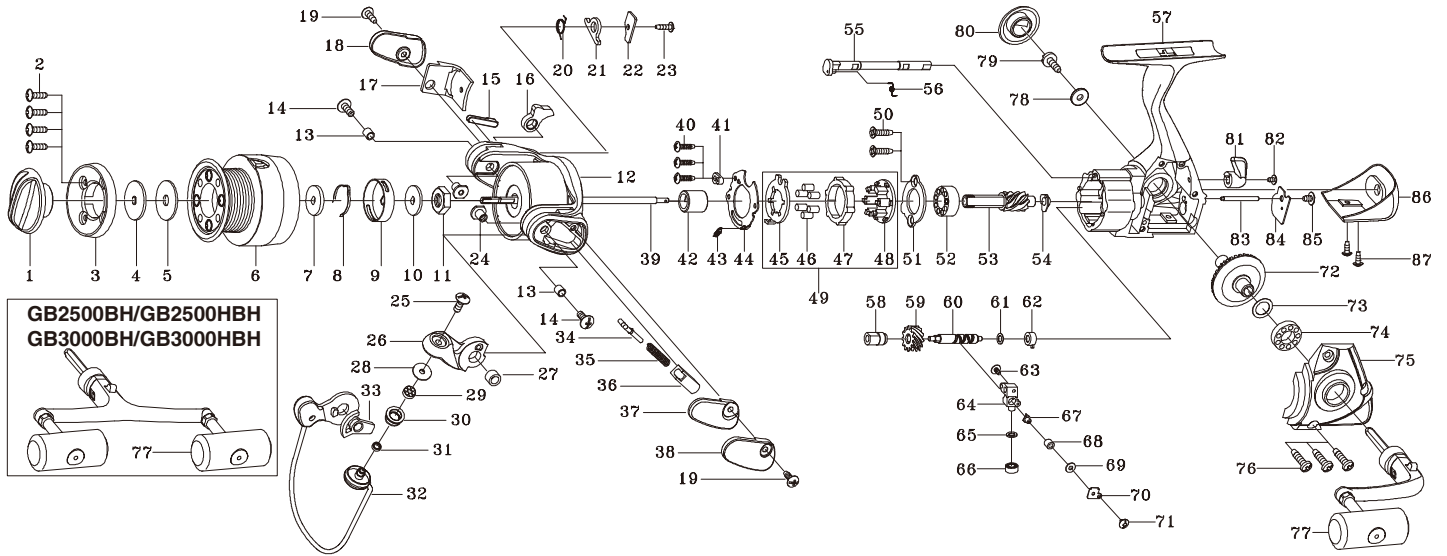




Please order by parts number, not key number
 Bitte, Best.-Nr. angeben (Nicht "key" -nr.)
 Veuillez indiquer le numero de la piece (Non "key" no.)

SPINNING REEL

GB2500 / GB2500BH / GB2500H / GB2500HBH GB3000 / GB3000BH / GB3000H / GB3000HBH



Key NO.	Parts No.	Parts name	Key NO.	Parts No.	Parts name	Key NO.	Parts No.	Parts name
2-6	2YT-113-01	SPOOL TOTAL ASSEMBLY	48	2F8-078-01	CAGE	GB2500HBH	SPECIAL PARTS	
1	2YD-024-02	DRAG KNOB ASSEMBLY	49	2YZ-014-01	ONE-WAY CLUTCH BEARING ASSEMBLY	2-6	2YT-113-04	SPOOL TOTAL ASSEMBLY
2	2E2-005-03	B26M-080 SCREW	50	2E1-067-01	F26-090 SCREW	6	2YS-052-04	SPOOL ASSEMBLY
3	2S5-002-02	LIP COVER	51	2F5-193-01	BEARING RETAINER	53	2G2-073-01	PINION GEAR
4	2W2-013-01	KEY WASHER	52	2Z1-003-02	714-5 BALL BEARING	59	2G3-047-01	OSCILLATING GEAR
5	2W1-052-01	050-187 WASHER	53	2G2-036-01	PINION GEAR	72	2G1-056-01	DRIVE GEAR
6	2YS-052-01	SPOOL ASSEMBLY	54	2C2-033-01	PINION GEAR BUSH	77	2YH-077-01	HANDLE TOTAL ASSEMBLY
7	2W2-020-01	KEY WASHER	55	2A2-009-01	ANTI-REVERSE CAM	GB3000	SPECIAL PARTS	
8	2L3-014-01	CLICK LEAF SPRING	56	2Q3-009-01	ANTI-REVERSE SPRING	2-6	2YT-118-01	SPOOL TOTAL ASSEMBLY
9	2F8-013-01	CLICK LEAF SPRING HOLDER	57	2YB-131-01	BODY ASSEMBLY	6	2YS-056-01	SPOOL ASSEMBLY
10	2W2-015-01	KEY WASHER	58	2C2-037-01	WORM SHAFT BUSH C	12	2YR-058-02	ROTOR ASSEMBLY
11	2E3-007-02	ROTOR NUT	59	2G3-012-01	WORM SHAFT GEAR	17	2R4-108-02	BAIL TRIP COVER SPACER
12	2YR-057-02	ROTOR ASSEMBLY	60	2M4-001-01	WORM SHAFT	21	2R5-105-01	BAIL TRIP LEVER
13	2C1-069-01	COLLAR SPACER	61	2W1-058-02	030-050 WASHER	32	2YL-094-02	BAIL ASSEMBLY
14	2E2-018-01	B30M-080 SCREW	62	2C2-035-01	WORM SHAFT BUSH A	57	2YB-131-02	BODY ASSEMBLY
15	2R5-102-01	BAIL TRIP PLATE	63	2E2-013-02	B20M-060 SCREW	GB3000BH	SPECIAL PARTS	
16	2R5-104-01	BAIL TRIP LEVER A	64	2M1-023-01	OSCILLATING SLIDER	2-6	2YT-118-01	SPOOL TOTAL ASSEMBLY
17	2R4-107-02	BAIL TRIP COVER SPACER	65	2W1-058-03	030-050 WASHER	6	2YS-056-01	SPOOL ASSEMBLY
18	2F5-207-02	BAIL TRIP COVER	66	2Z1-014-01	306-2.5 BALL BEARING	12	2YR-058-02	ROTOR ASSEMBLY
19	2E1-016-02	B26-080 SCREW	67	2M5-001-01	LINE GUIDE PIN	17	2R4-108-02	BAIL TRIP COVER SPACER
20	2Q3-056-01	BAIL TRIP LEVER SPRING	68	2C2-034-01	LINE GUIDE PIN BUSH	21	2R5-105-01	BAIL TRIP LEVER
21	2R5-103-01	BAIL TRIP LEVER	69	2W1-059-01	020-049 WASHER	32	2YL-094-02	BAIL ASSEMBLY
22	2W5-037-01	SPACER	70	2F5-048-01	OSCILLATING SLIDER COVER	57	2YB-131-02	BODY ASSEMBLY
23	2E1-048-01	B22-080 SCREW	71	2E2-022-01	B20M-030 SCREW	77	2YH-077-01	HANDLE TOTAL ASSEMBLY
24	2E3-040-01	SHAFT NUT	72	2G1-003-01	DRIVE GEAR	GB3000H	SPECIAL PARTS	
25	2E2-018-01	B30M-080 SCREW	73	2W1-019-00	071-103 WASHER	2-6	2YT-118-04	SPOOL TOTAL ASSEMBLY
26	2R2-035-02	BAIL ARM	74	2Z1-002-01	714-3.5 BALL BEARING	6	2YS-056-04	SPOOL ASSEMBLY
27	2C2-082-01	BAIL ARM BUSH	75	2B2-024-02	BODY COVER	12	2YR-058-02	ROTOR ASSEMBLY
28	2C1-034-01	LINE ROLLER COLLAR	76	2E1-005-02	A26-120 SCREW	17	2R4-108-02	BAIL TRIP COVER SPACER
29	2Z1-012-02	407-2.5 BALL BEARING	77	2YH-061-01	HANDLE TOTAL ASSEMBLY	21	2R5-105-01	BAIL TRIP LEVER
30	2R6-020-02	LINE ROLLER	78	2W1-004-01	029-080 WASHER	32	2YL-094-02	BAIL ASSEMBLY
31	2C2-032-01	LINE ROLLER BUSH	79	2E2-023-01	a30M-120 SCREW	53	2G2-073-01	PINION GEAR
32	2YL-093-02	BAIL ASSEMBLY	80	2H6-010-01	HANDLE SCREW CAP	57	2YB-131-02	BODY ASSEMBLY
33	2F6-033-02	HOLDING PLATE	81	2A1-022-01	ANTI-REVERSE LEVER	59	2G3-047-01	OSCILLATING GEAR
34	2R5-101-01	BAIL TRIP SHAFT	82	2E2-013-02	B20M-060 SCREW	72	2G1-056-01	DRIVE GEAR
35	2Q1-075-01	BAIL SPRING	83	2P1-015-01	OSCILLATING SLIDER PIN	GB3000HBH	SPECIAL PARTS	
36	2C2-081-01	BAIL SPRING GUIDE	84	2F5-049-01	WORM SHAFT COVER	2-6	2YT-118-04	SPOOL TOTAL ASSEMBLY
37	2R4-106-01	BAIL SPRING COVER SPACER	85	2E1-036-01	B26-040 SCREW	6	2YS-056-04	SPOOL ASSEMBLY
38	2F5-206-02	BAIL SPRING COVER	86	2YN-003-02	NAMEPLATE ASSEMBLY	12	2YR-058-02	ROTOR ASSEMBLY
39	2M3-028-01	MAIN SHAFT	87	2E1-020-02	B22-055 SCREW	17	2R4-108-02	BAIL TRIP COVER SPACER
40	2E1-029-01	B22-090 SCREW	GB2500BH	SPECIAL PARTS	77	2YH-077-01	HANDLE TOTAL ASSEMBLY	
41	2F8-079-01	ANTI-REVERSE SPRING ANCHOR	GB2500H	SPECIAL PARTS	2-6	2YT-113-04	SPOOL TOTAL ASSEMBLY	
42	2A4-021-01	ONE-WAY CLUTCH INNER TUBE	6	2YT-113-04	SPOOL ASSEMBLY	53	2G2-073-01	PINION GEAR
43	2Q2-016-01	SPRING	53	2G2-073-01	PINION GEAR	57	2YB-131-02	BODY ASSEMBLY
44	2F5-192-01	ROLLER CLUTCH RETAINER	59	2G3-047-01	OSCILLATING GEAR	59	2G3-047-01	OSCILLATING GEAR
45	2F2-028-01	ANTI-REVERSE PAWL	59	2G3-047-01	OSCILLATING GEAR	72	2G1-056-01	DRIVE GEAR
46	2Z3-001-01	ROLLER	72	2G1-056-01	DRIVE GEAR	77	2YH-077-01	HANDLE TOTAL ASSEMBLY
47	2A3-008-01	ANTI-REVERSE RATCHET						