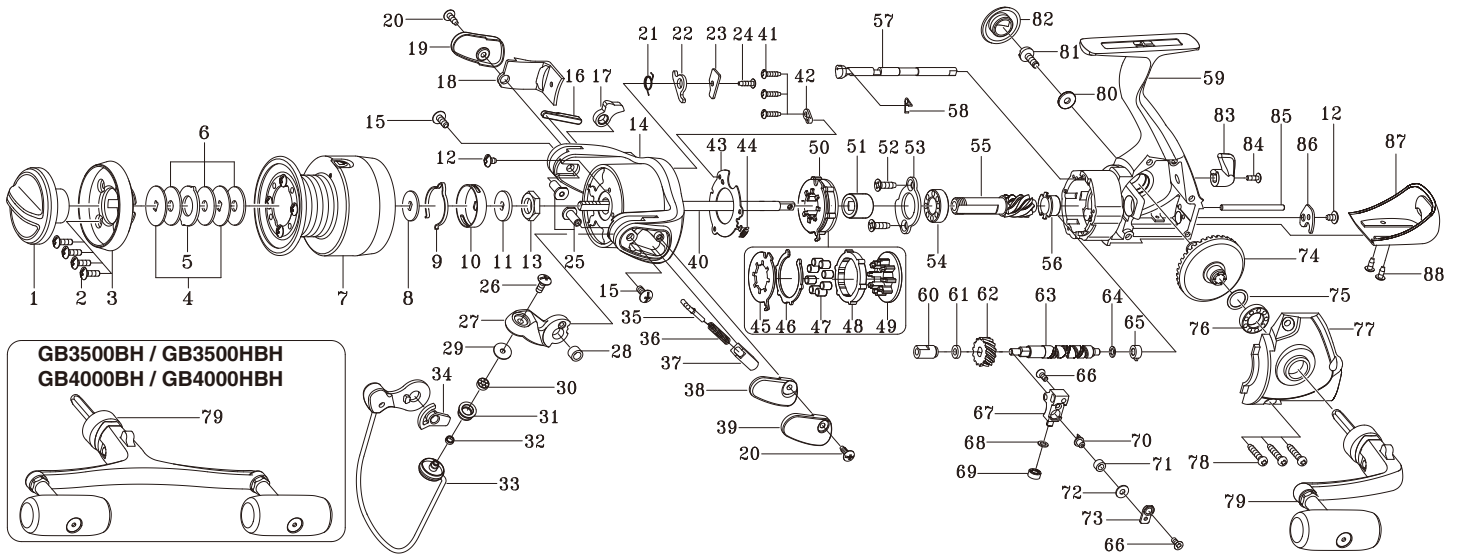




SPINNING REEL

GB3500 / GB3500BH / GB3500H / GB3500HBH GB4000 / GB4000BH / GB4000H / GB4000HBH

Please order by parts number, not key number
Bitte, Best.-Nr. angeben (Nicht "key" -nr.)
Veuillez indiquer le numero de la piece (Non "key" no.)



Key NO.	Parts No.	Parts name	Key NO.	Parts No.	Parts name	Key NO.	Parts No.	Parts name
2-7	2YT-152-01	SPOOL TOTAL ASSEMBLY	48	2A3-025-01	ANTI-REVERSE RATCHET	74	2G1-057-01	DRIVE GEAR
1	2YD-030-04	DRAG KNOB ASSEMBLY	49	2F8-082-01	CAGE	GB3500HBH	SPECIAL PARTS	
2	2E2-005-03	B26M-080 SCREW	50	2YZ-017-01	ONE-WAY CLUTCH BEARING ASSEMBLY	2-7	2YT-152-02	SPOOL TOTAL ASSEMBLY
3	2S5-029-02	LIP COVER	51	2A4-026-01	ONE-WAY CLUTCH INNER TUBE	7	2YS-073-02	SPOOL ASSEMBLY
4	2W2-005-01	KEY WASHER	52	2E1-068-01	F30-100 SCREW	55	2G2-074-01	PINION GEAR
5	2W3-003-01	EARED WASHER	53	2F5-203-01	BEARING RETAINER	62	2G3-031-01	OSCILLATING GEAR
6	2W1-052-02	050-187 WASHER	54	2Z1-005-02	816-5 BALL BEARING	74	2G1-057-01	DRIVE GEAR
7	2YS-073-01	SPOOL ASSEMBLY	55	2G2-005-01	PINION GEAR	79	2YH-093-01	HANDLE TOTAL ASSEMBLY
8	2W2-023-02	KEY WASHER	56	2C2-070-01	PINION GEAR BUSH	GB4000	SPECIAL PARTS	
9	2L3-014-01	CLICK LEAF SPRING	57	2A2-028-01	ANTI-REVERSE CAM	2-7	2YT-154-01	SPOOL TOTAL ASSEMBLY
10	2F8-013-02	CLICK LEAF SPRING HOLDER	58	2Q3-009-01	ANTI-REVERSE SPRING	7	2YS-075-01	SPOOL ASSEMBLY
11	2W2-024-01	KEY WASHER	59	2YB-133-01	BODY ASSEMBLY	14	2YR-060-02	ROTOR ASSEMBLY
12	2E1-036-01	B26-040 SCREW	60	2C2-049-01	WORM SHAFT BUSH C	18	2R4-110-02	BAIL TRIP COVER SPACER
13	2E3-002-01	ROTOR NUT	61	2C1-048-02	WORM SHAFT COLLAR	22	2R5-108-01	BAIL TRIP LEVER
14	2YR-059-02	ROTOR ASSEMBLY	62	2G3-018-01	OSCILLATING GEAR	33	2YL-096-02	BAIL ASSEMBLY
15	2E2-018-01	B30M-080 SCREW	63	2M4-018-01	WORM SHAFT	59	2YB-133-02	BODY ASSEMBLY
16	2R5-106-01	BAIL TRIP PLATE	64	2W1-058-02	030-050 WASHER	GB4000BH	SPECIAL PARTS	
17	2R5-104-01	BAIL TRIP LEVER A	65	2C2-035-01	WORM SHAFT BUSH A	2-7	2YT-154-01	SPOOL TOTAL ASSEMBLY
18	2R4-109-02	BAIL TRIP COVER SPACER	66	2E2-009-01	F23M-060 SCREW	7	2YS-075-01	SPOOL ASSEMBLY
19	2F5-207-02	BAIL TRIP COVER	67	2M1-032-01	OSCILLATING SLIDER	14	2YR-060-02	ROTOR ASSEMBLY
20	2E1-016-02	B26-080 SCREW	68	2W1-058-04	030-050 WASHER	18	2R4-110-02	BAIL TRIP COVER SPACER
21	2Q3-056-01	BAIL TRIP LEVER SPRING	69	2Z1-014-01	306-2.5 BALL BEARING	22	2R5-108-01	BAIL TRIP LEVER
22	2R5-107-01	BAIL TRIP LEVER	70	2M5-007-01	LINE GUIDE PIN	33	2YL-096-02	BAIL ASSEMBLY
23	2W5-037-01	SPACER	71	2C2-034-01	LINE GUIDE PIN BUSH	59	2YB-133-02	BODY ASSEMBLY
24	2E1-048-01	B22-080 SCREW	72	2W1-059-01	020-049 WASHER	79	2YH-093-01	HANDLE TOTAL ASSEMBLY
25	2E3-040-02	SHAFT NUT	73	2F5-181-01	OSCILLATING SLIDER COVER	GB4000H	SPECIAL PARTS	
26	2E2-018-01	B30M-080 SCREW	74	2G1-010-01	DRIVE GEAR	2-7	2YT-154-02	SPOOL TOTAL ASSEMBLY
27	2R2-036-02	BAIL ARM	75	2W1-035-00	080-105 WASHER	7	2YS-075-02	SPOOL ASSEMBLY
28	2C2-082-01	BAIL ARM BUSH	76	2Z1-004-01	814-3.5 BALL BEARING	14	2YR-060-02	ROTOR ASSEMBLY
29	2C1-034-01	LINE ROLLER COLLAR	77	2B2-035-02	BODY COVER	18	2R4-110-02	BAIL TRIP COVER SPACER
30	2Z1-012-02	407-2.5 BALL BEARING	78	2E1-006-02	A30-130 SCREW	22	2R5-108-01	BAIL TRIP LEVER
31	2R6-020-02	LINE ROLLER	79	2YH-091-01	HANDLE TOTAL ASSEMBLY	33	2YL-096-02	BAIL ASSEMBLY
32	2C2-032-01	LINE ROLLER BUSH	80	2W1-004-01	029-080 WASHER	55	2G2-074-01	PINION GEAR
33	2YL-095-02	BAIL ASSEMBLY	81	2E2-023-01	a30M-120 SCREW	59	2YB-133-02	BODY ASSEMBLY
34	2F6-033-02	HOLDING PLATE	82	2H6-010-01	HANDLE SCREW CAP	62	2G3-031-01	OSCILLATING GEAR
35	2R5-101-01	BAIL TRIP SHAFT	83	2A1-022-01	ANTI-REVERSE LEVER	74	2G1-057-01	DRIVE GEAR
36	2Q1-075-01	BAIL SPRING	84	2E2-013-02	B20M-060 SCREW	GB4000HBH	SPECIAL PARTS	
37	2C2-081-01	BAIL SPRING GUIDE	85	2P1-025-01	OSCILLATING SLIDER PIN	2-7	2YT-154-02	SPOOL TOTAL ASSEMBLY
38	2R4-106-01	BAIL SPRING COVER SPACER	86	2F5-182-01	WORM SHAFT COVER	7	2YS-075-02	SPOOL ASSEMBLY
39	2F5-206-02	BAIL SPRING COVER	87	2YN-004-02	NAMEPLATE ASSEMBLY	14	2YR-060-02	ROTOR ASSEMBLY
40	2M3-058-01	MAIN SHAFT	88	2E1-020-02	B22-055 SCREW	18	2R4-110-02	BAIL TRIP COVER SPACER
41	2E1-029-01	B22-090 SCREW	GB3500BH	SPECIAL PARTS	22	2R5-108-01	BAIL TRIP LEVER	
42	2F8-079-01	ANTI-REVERSE SPRING ANCHOR	79	2YH-093-01	HANDLE TOTAL ASSEMBLY	33	2YL-096-02	BAIL ASSEMBLY
43	2F5-189-01	ROLLER CLUTCH RETAINER	GB3500H	SPECIAL PARTS	55	2G2-074-01	PINION GEAR	
44	2Q2-016-01	SPRING	2-7	2YT-152-02	SPOOL TOTAL ASSEMBLY	59	2YB-133-02	BODY ASSEMBLY
45	2F2-027-01	ANTI-REVERSE PAWL	7	2YS-073-02	SPOOL ASSEMBLY	62	2G3-031-01	OSCILLATING GEAR
46	2W5-036-01	WASHER	55	2G2-074-01	PINION GEAR	74	2G1-057-01	DRIVE GEAR
47	2Z3-003-01	ROLLER	62	2G3-031-01	OSCILLATING GEAR	79	2YH-093-01	HANDLE TOTAL ASSEMBLY