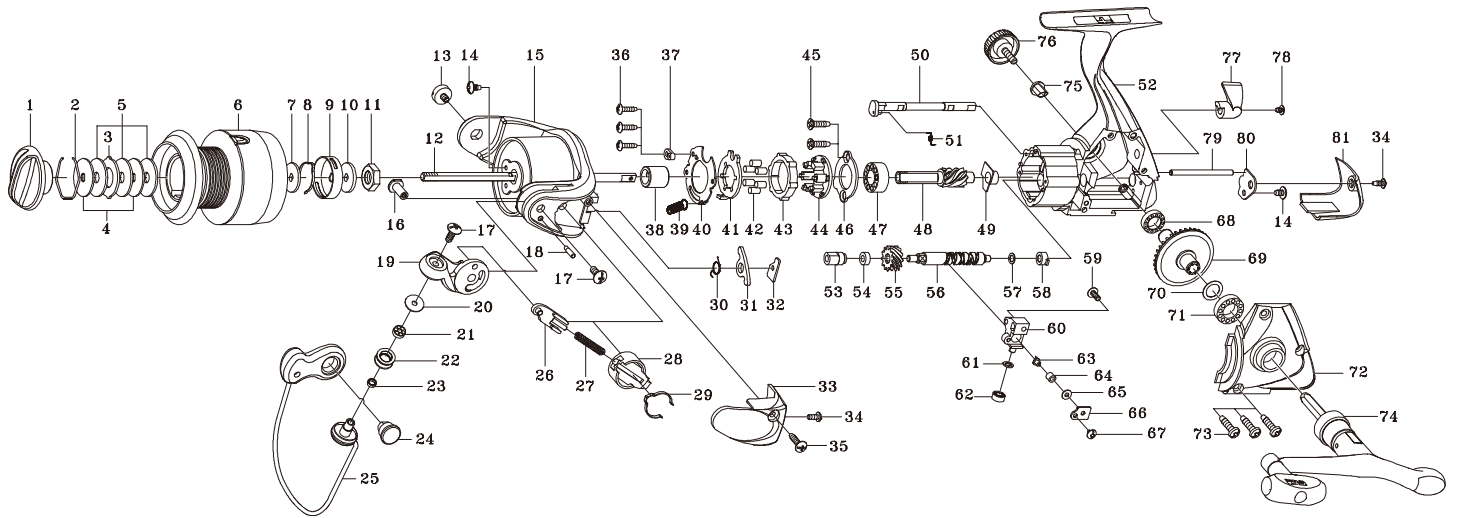


SPINNING REEL

GR3000BH/3500BH/3000HBH/3500HBH

Please order by parts number, not key number
Bitte, Best.-Nr. angeben (Nicht "key" -nr.)
Veuillez indiquer le numero de la pièce (Non "key" no.)



Key NO.	Parts No.	Parts name	Key NO.	Parts No.	Parts name
2-6	2YT-124-03	SPOOL ASSEMBLY	53	2C2-037-01	WORM SHAFT BUSH C
1	2YD-024-03	DRAG KNOB ASSEMBLY	54	2C1-048-01	WORM SHAFT COLLAR
2	2E4-009-01	DRAG WASHER RETAINER	55	2G3-019-01	WORM SHAFT GEAR
3	2W3-014-01	EARED WASHER	56	2M4-009-01	WORM SHAFT
4	2W2-013-01	KEY WASHER	57	2W1-058-02	030-050 WASHER
5	2W1-052-01	050-187 WASHER	58	2C2-035-01	WORM SHAFT BUSH A
6	2YS-063-03	SPOOL ASSEMBLY	59	2E2-009-01	F23M-060 SCREW
7	2W2-020-01	KEY WASHER	60	2M1-025-01	OSCILLATING SLIDER
8	2L3-014-01	SPOOL CLICK LEAF SPRING	61	2W1-058-03	030-050 WASHER
9	2F8-013-01	CLICK LEAF SPRING HOLDER	62	2Z1-014-01	306-2.5 BALL BEARING
10	2W2-015-01	KEY WASHER	63	2M5-001-01	LINE GUIDE PIN
11	2E3-007-01	ROTOR NUT	64	2C2-034-01	LINE GUIDE PIN BUSH
12	2M3-040-01	MAIN SHAFT	65	2W1-059-01	020-049 WASHER
13	2E0-008-01	BAIL HOLDER SCREW	66	2F5-083-01	OSCILLATING SLIDER COVER
14	2E1-028-01	B26-050 SCREW	67	2E2-022-01	B20M-030 SCREW
15	2R1-089-01	ROTOR	68	2Z1-009-01	711-3 BALL BEARING
16	2E3-040-02	SHAFT NUT	69	2G1-026-01	DRIVE GEAR
17	2E2-018-01	B30M-080 SCREW	70	2W1-035-00	080-105 WASHER
18	2P1-032-01	BAIL ARM PIN	71	2Z1-004-01	814-3.5 BALL BEARING
19	2R2-038-01	BAIL ARM	72	2YC-087-01	BODY COVER ASSEMBLY
20	2C1-034-01	LINE ROLLER COLLAR	73	2E1-031-01	A26-140 SCREW
21	2Z1-012-02	407-2.5 BALL BEARING	74	2YH-065-03	HANDLE ASSEMBLY
22	2R6-020-02	LINE ROLLER	75	2C3-017-01	HANDLE SCREW SLEEVE
23	2C2-032-01	LINE ROLLER BUSH	76	2H6-001-06	HANDLE SCREW CAP
24	2E3-019-01	BAIL HOLDER NUT	77	2A1-025-01	ANTI-REVERSE LEVER
25	2YL-097-01	BAIL ASSEMBLY	78	2E2-013-02	B20M-060 SCREW
26	2R5-109-01	BAIL TRIP SHAFT	79	2P1-025-01	OSCILLATING SLIDER PIN
27	2Q1-076-01	BAIL SPRING	80	2F5-084-01	WORM SHAFT COVER
28	2C2-083-01	BAIL SPRING GUIDE	81	2F5-087-01	REAR COVER
29	2L3-029-01	CLICK LEAF SPRING	GR3500BH	SPECIAL PARTS	
30	2Q3-056-01	BAIL TRIP LEVER SPRING	2-6	2YT-129-03	SPOOL ASSEMBLY
31	2R5-110-01	BAIL TRIP LEVER	6	2YS-069-03	SPOOL ASSEMBLY
32	2W5-037-01	SPACER	15	2R1-090-01	ROTOR
33	2R4-111-01	BAIL SPRING COVER	25	2YL-098-01	BAIL ASSEMBLY
34	2E1-048-01	B22-080 SCREW	31	2R5-111-01	BAIL TRIP LEVER
35	2E1-046-01	B26-110 SCREW	33	2R4-112-01	BAIL SPRING COVER
36	2E1-029-01	B22-090 SCREW	GR3000HBH	SPECIAL PARTS	
37	2F8-079-01	ANTI-REVERSE SPRING ANCHOR	2-6	2YT-124-04	SPOOL ASSEMBLY
38	2A4-021-01	ONE-WAY CLUTCH INNER TUBE	6	2YS-063-04	SPOOL ASSEMBLY
39	2Q2-016-01	SPRING	48	2G2-053-01	PINION GEAR
40	2F5-192-01	ROLLER CLUTCH RETAINER	55	2G3-030-01	WORM SHAFT GEAR
41	2F2-028-01	ANTI-REVERSE PAWL	69	2G1-040-01	DRIVE GEAR
42	2Z3-001-01	ROLLER	GR3500HBH	SPECIAL PARTS	
43	2A3-008-01	ANTI-REVERSE RATCHET	2-6	2YT-129-05	SPOOL ASSEMBLY
44	2F8-078-01	CAGE	6	2YS-069-05	SPOOL ASSEMBLY
45	2E1-067-01	F26-090 SCREW	15	2R1-090-01	ROTOR
46	2F5-193-01	BEARING RETAINER	25	2YL-098-01	BAIL ASSEMBLY
47	2Z1-003-01	714-5 BALL BEARING	31	2R5-111-01	BAIL TRIP LEVER
48	2G2-042-01	PINION GEAR	33	2R4-112-01	BAIL SPRING COVER
49	2C2-033-01	PINION GEAR BUSH	48	2G2-053-01	PINION GEAR
50	2A2-028-01	ANTI-REVERSE CAM	55	2G3-030-01	WORM SHAFT GEAR
51	2Q3-009-01	ANTI-REVERSE SPRING	69	2G1-040-01	DRIVE GEAR
52	2YB-085-01	BODY ASSEMBLY			